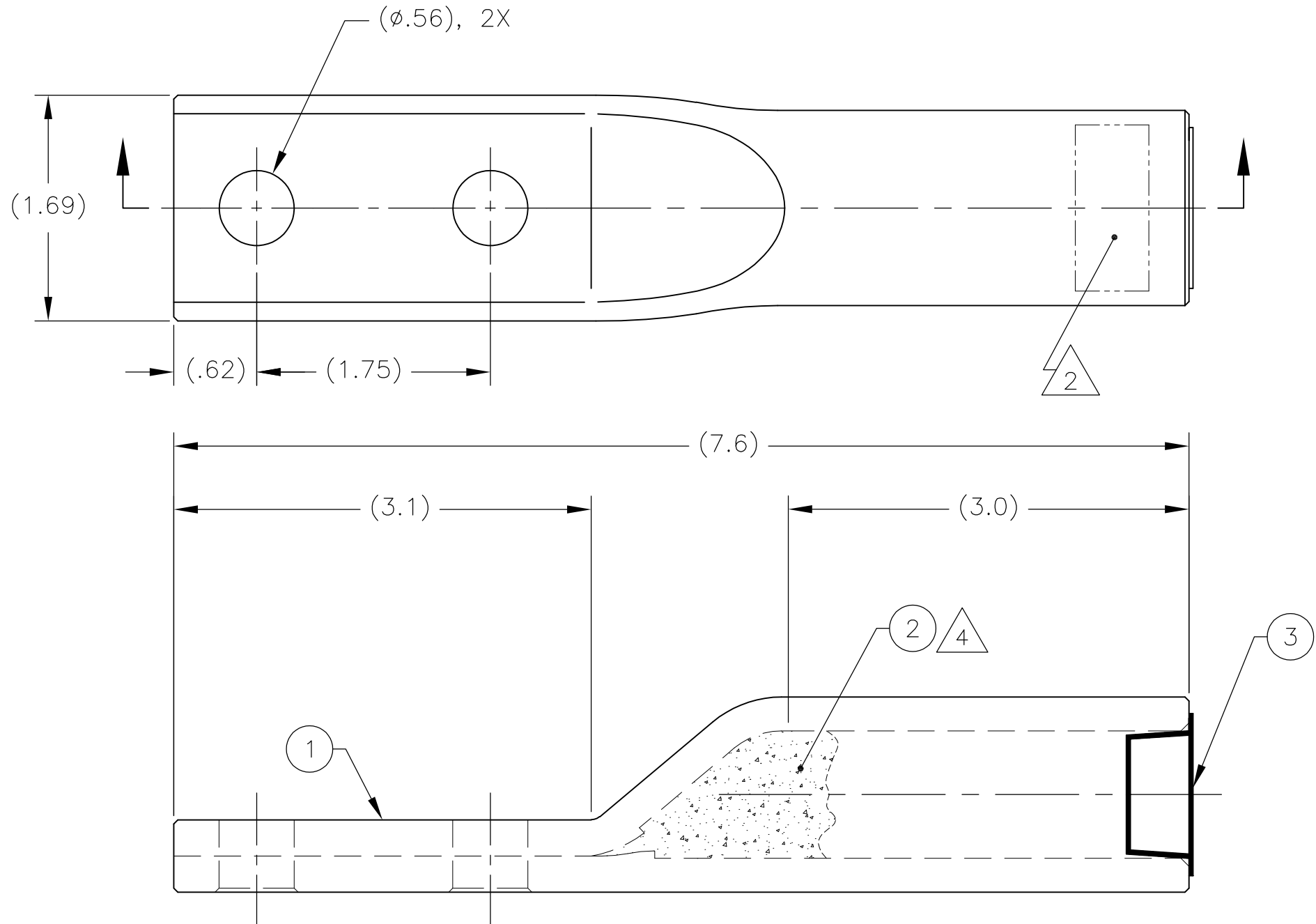


THIS DRAWING IS UNPUBLISHED. RELEASED FOR PUBLICATION
 © COPYRIGHT BY TYCO ELECTRONICS CORPORATION. ALL RIGHTS RESERVED.

LOC	DIST	REVISIONS					
GA	1	P	LTR	DESCRIPTION	DATE	DWN	APVD
			A	INITIAL REL. PER LC20-0139-08	11JUN08	DM	BJ



- ACCOMMODATES:
750 KCMIL COMPACT (.908" DIA) AAC.
- MARKING:
KL075C2NTN
750 CPT
CSA 30 [D/C]
- FINISH:
ELECTRO-TIN PLATED.
- GENERAL REQUIREMENTS:
CONNECTOR CONTAINS INHIBITOR AND IS FACTORY CAPPED.
- ALL DIMENSIONS ARE FOR REFERENCE ONLY.

1	PLASTIC CAP	3
A/R	OXIDE INHIBITOR	2
1	COMPRESSION TERMINAL, AL ALLOY	1
-1	DESCRIPTION	ITEM NO
QTY PER ASSY	PARTS LIST	

KL075C2NTN	1098088-1
CAT. P/N	PART NO.

THIS DRAWING IS A CONTROLLED DOCUMENT.		DWN	04JUN2008	Tyco Electronics Corporation Markham, ON L3R-1E1									
DIMENSIONS: INCHES		CHK	11JUN2008										
TOLERANCES UNLESS OTHERWISE SPECIFIED: 0 PLC ± 1 PLC ± 2 PLC ± 3 PLC ± 4 PLC ± ANGLES ±		APVD	11JUN2008										
MATERIAL REFER BOM		FINISH	3										
PRODUCT SPEC APPLICATION SPEC WEIGHT		NAME ALUMINUM COMPRESSION TERMINAL, 750 KCMIL COMPACT ALUMINUM CONDUCTORS TO 2 HOLE NEMA PAD		RESTRICTED TO									
CUSTOMER DRAWING		SIZE	A3	CAGE CODE	00779	DRAWING NO	C-1098088	SCALE	NTS	SHEET	1 OF 1	REV	A