

4

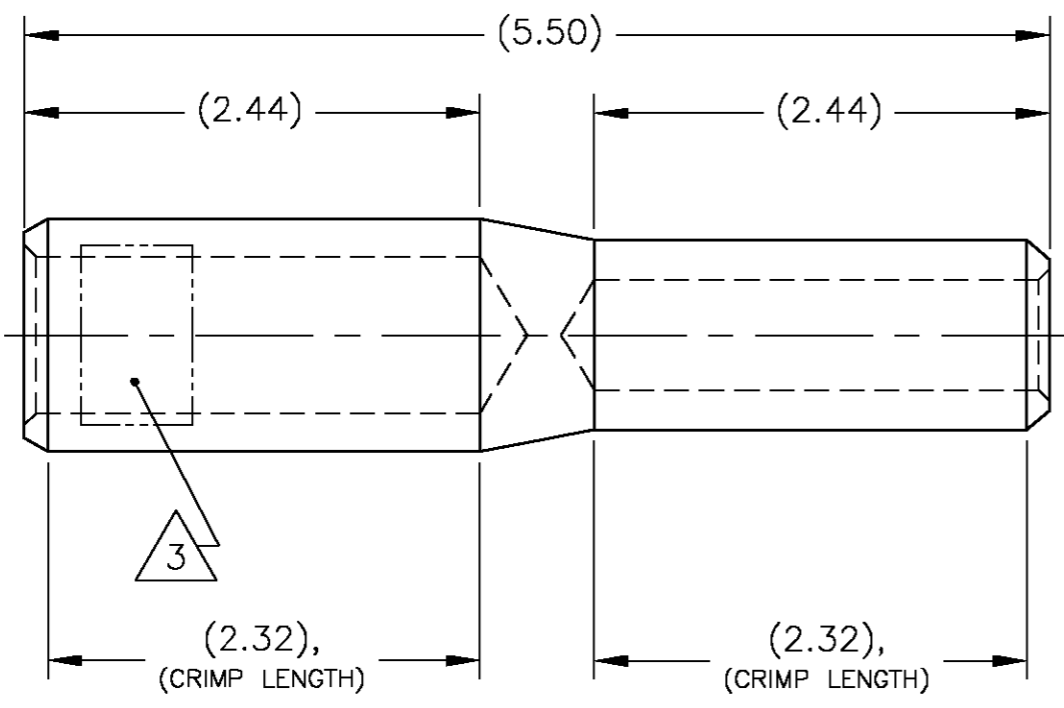
3

2

1

THIS DRAWING IS UNPUBLISHED. RELEASED FOR PUBLICATION
 © COPYRIGHT BY TYCO ELECTRONICS CORPORATION. ALL RIGHTS RESERVED.

LOC	DIST	REVISIONS			
P	LTR	DESCRIPTION	DATE	DWN	APVD
GA	1	A	INITIAL REL. PER LC20-0053-07	14FEB07	DM DL



- 1 MATERIAL:
E.T.P. COPPER ALLOY.
- 2 ACCOMMODATES:
500 KCMIL (.813 DIA.) CU CONDUCTORS TO
250 KCMIL (.575 DIA.) CU CONDUCTORS.
- 3 MARKING:
STAMPED AS BELOW

TYCO 1099442-1
CKSR050S025TNT
500 STD 250 STD
CSA 28/26 CU
[D/C]
- 4 HARDNESS:
SOFT TEMPERED.
- 5 FINISH:
ELECTRO TIN PLATED.
- 6 ALL DIMENSIONS ARE FOR REFERENCE ONLY.
- 7 DO NOT CRIMP ON TAPERED AREAS.

CSA 26: CRIMP 250 KCMIL COND.	500 KCMIL TO 250 KCMIL	CKSR050S025TNT	1099442-1
CSA 28: CRIMP 500 KCMIL COND.			
DIE SELECTION	COND. TO COND.	CAT. P/N	TYCO P/N

THIS DRAWING IS A CONTROLLED DOCUMENT.		DWN D. MURUGIAH 14FEB2007	Tyco Electronics Corporation Markham, ON L3R-1E1	
DIMENSIONS: INCHES		CHK A. BULZA 04APR2007	NAME B. JOHNSON	
		APVD B. JOHNSON 07APR2007	PRODUCT SPEC COPPER COMPRESSION REDUCING SPLICE, TIN PLATED, 500 KCMIL TO 250 KCMIL COPPER CONDUCTORS	
TOLERANCES UNLESS OTHERWISE SPECIFIED:		APPLICATION SPEC	RESTRICTED TO	
0 PLC ± 1 PLC ± 2 PLC ± 3 PLC ± 4 PLC ± ANGLES ±		WEIGHT	SIZE A3	CAGE CODE 00779
MATERIAL 1	FINISH 5	DRAWING NO C-1099442		REV A
CUSTOMER DRAWING			SCALE NTS	SHEET 1 OF 1