

4

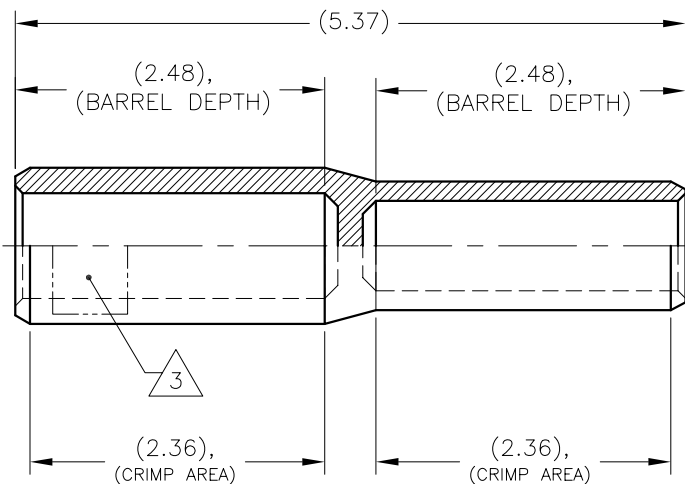
3


2

1

THIS DRAWING IS UNPUBLISHED. RELEASED FOR PUBLICATION  
 © COPYRIGHT - BY TYCO ELECTRONICS CORPORATION. ALL RIGHTS RESERVED.

LOC	DIST	REVISIONS			
P	LTR	DESCRIPTION	DATE	DWN	APVD
GA	1	B	LC20-0036-10 / EC0-10-004344	25FEB2010	DM BJ



- 1 MATERIAL:  
E.T.P. COPPER ALLOY.
- 2 ACCOMMODATES:  
500 KCMIL STD STR (.813 DIA.) CU CONDUCTORS TO  
350 KCMIL STD STR (.681 DIA.) CU CONDUCTORS.
- 3 MARKING:  
STAMPED AS BELOW  
  
CKSR050S035TNT  
500 STD STR  
350 STD STR  
CSA 28/26 CU  
[D/C]
- 4 HARDNESS:  
SOFT TEMPERED.
- 5 FINISH:  
ELECTRO TIN PLATED.
- 6 ALL DIMENSIONS ARE FOR REFERENCE ONLY.
- 7 DO NOT CRIMP ON TAPERED PORTION OF THE CONNECTOR.

CKSR050S035TNT	1099447-1
CATALOG NO.	PART NO.

THIS DRAWING IS A CONTROLLED DOCUMENT.		DWN D. MURUGIAH 11APR2007	Tyco Electronics Corporation Markham, ON L3R-1E1													
DIMENSIONS: INCHES		CHK A. BULZA 16APR2007	NAME D. LADIN 17APR2007													
TOLERANCES UNLESS OTHERWISE SPECIFIED:		APVD D. LADIN 17APR2007	PRODUCT SPEC COPPER COMPRESSION REDUCING SLEEVE, TIN PLATED, TAPERED, 500 KCMIL STD STR TO 350 KCMIL STD STR COPPER CONDUCTORS													
<table border="0"> <tr><td>0 PLC</td><td>±</td></tr> <tr><td>1 PLC</td><td>±</td></tr> <tr><td>2 PLC</td><td>±</td></tr> <tr><td>3 PLC</td><td>±</td></tr> <tr><td>4 PLC</td><td>±</td></tr> <tr><td>ANGLES</td><td>±</td></tr> </table>		0 PLC	±	1 PLC	±	2 PLC	±	3 PLC	±	4 PLC	±	ANGLES	±	APPLICATION SPEC —	SIZE A3	CAGE CODE 00779
0 PLC	±															
1 PLC	±															
2 PLC	±															
3 PLC	±															
4 PLC	±															
ANGLES	±															
MATERIAL 1	FINISH 5	WEIGHT —	DRAWING NO 1099447	RESTRICTED TO —												
CUSTOMER DRAWING			SCALE NTS	SHEET 1 OF 1												