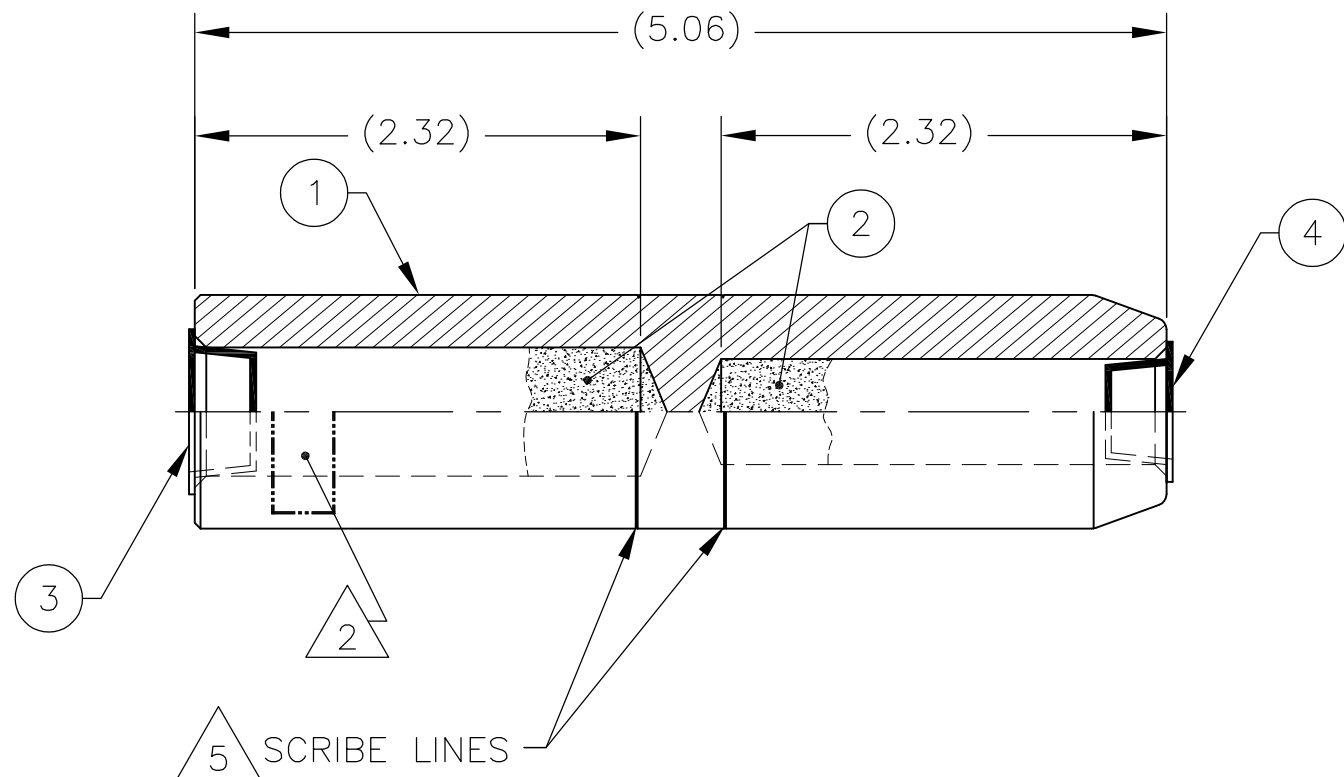



THIS DRAWING IS UNPUBLISHED. RELEASED FOR PUBLICATION  
 © COPYRIGHT - BY TYCO ELECTRONICS CORPORATION. ALL RIGHTS RESERVED.

LOC	DIST	REVISIONS			
P	LTR	DESCRIPTION	DATE	DWN	APVD
GA	1	B	PER LC20-0270-07 / EC0-07-027714	21NOV07	DM BJ



1. ACCOMMODATES:  
 350 KCMIL AAC COMPACT (.616 DIA.) TO 4/0  
 AWG STD STR-COMPACT (.528-.475 DIA.)  
 ALUMINUM OR COPPER CONDUCTORS.

2. MARKING:  
 FOR 1099804-1 STAMPED AS BELOW;  
  
 KSR035CP40T  
 350 KCMIL CPT  
 4/0 AWG  
 CSA 28  
 [D/C]

FOR 1099804-2 STAMPED AS BELOW;  
  
 KSR035CP40TTN  
 350 KCMIL CPT  
 4/0 AWG  
 CSA 28  
 [D/C]


3. HARDNESS:  
 SOFT TEMPERED.

4. ALL DIMENSIONS ARE FOR REFERENCE ONLY.

5. DO NOT CRIMP BETWEEN SCRIBE LINES.

KSR035CP40TTN	1099804-2
KSR035CP40T	1099804-1
CAT. P/N	PART NO.

QTY PER ASSY	QTY PER ASSY	DESCRIPTION	ITEM NO
1	1	CAP, PLASTIC	4
1	1	CAP, PLASTIC	3
A/R	A/R	INHIBITOR, OXIDE, CUAL-AID #12	2
1	-	COMPRESSION REDUCING SLEEVE, ALUMINUM, TIN-PLATED	1
-	1	COMPRESSION REDUCING SLEEVE, ALUMINUM, UN-PLATED	
-2	-1		

THIS DRAWING IS A CONTROLLED DOCUMENT.		DWN D. MURUGIAH 31OCT2007	Tyco Electronics Corporation Markham, ON L3R-1E1	
DIMENSIONS: INCHES	TOLERANCES UNLESS OTHERWISE SPECIFIED:	CHK A. BULZA 31OCT2007	NAME ALUMINUM COMPRESSION REDUCING SPLICE, TIN PLATED, 350 KCMIL AAC CPT TO 4/0 AWG STD STR-CPT ALUMINUM/COPPER CONDUCTORS	
	0 PLC ± 1 PLC ± 2 PLC ± 3 PLC ± 4 PLC ± ANGLES ±	APVD B. JOHNSON 31OCT2007	PRODUCT SPEC -	SIZE A3
MATERIAL REFER BOM	FINISH REFER BOM	APPLICATION SPEC -	WEIGHT -	CAGE CODE 00779
		DRAWING NO C-1099804		RESTRICTED TO -
		CUSTOMER DRAWING		SCALE NTS
		SHEET 1 OF 1		REV B