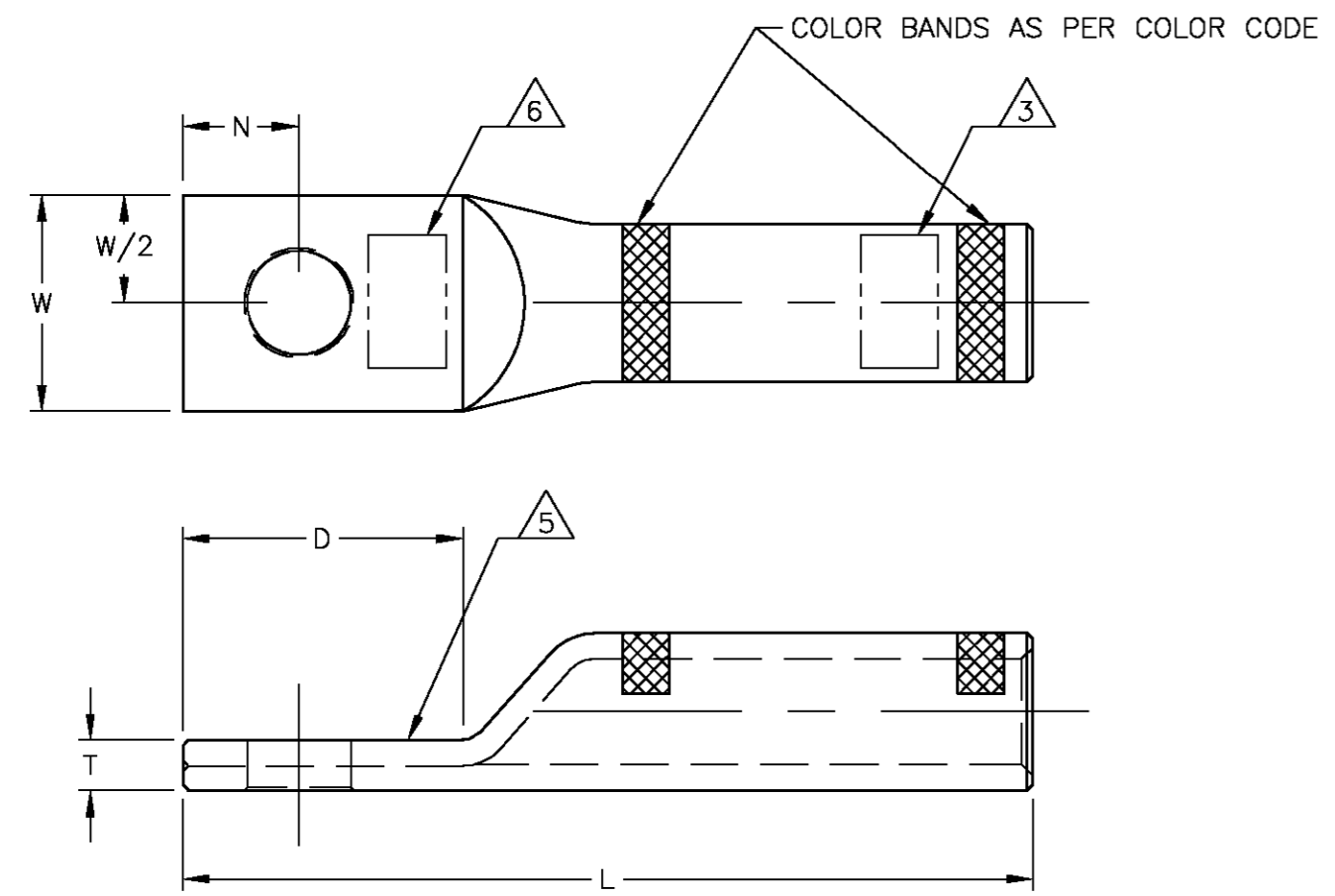


THIS DRAWING IS UNPUBLISHED. RELEASED FOR PUBLICATION
 © COPYRIGHT BY TYCO ELECTRONICS CORPORATION. ALL RIGHTS RESERVED.

LOC	DIST	REVISIONS			
P	LTR	DESCRIPTION	DATE	DWN	APVD
GA	1	B	REVISED PER ECO-05-008404	24 AUG 05	DR BJ



- 1 MATERIAL:
ETP COPPER ALLOY C11000
PER ASTM SPEC B188
- 2. HEAT TREAT:
SOFT TEMPERED
- 3 LETTERING:
UTILUX [PART NO]
[CONDUCTOR] c(UL)us
[DIE INDEX]
MADE IN INDIA
- 4 FINISH:
ELECTRO TIN PLATE
- 5 THIS PORTION TO BE CLOSED AIR TIGHT
- 6 OPTIONAL PLACE FOR MARKING

1-3/16	2.25	0.50	0.09	0.88	0.44	8 or 346(2)	gray	1/4	4 STR.	2-1099899-0
3-1/16	6.00	2.17	0.32	2.12	0.94	27 (4)	white	5/8	1000 MCM	1-1099899-9
2-15/16	5.40	1.89	0.27	1.94	0.88	24 & 473 (4)	black	5/8	750 MCM	1-1099899-8
2-3/4	5.20	1.69	0.27	1.75	0.88	22 or 472 (2)	green	5/8	600 MCM	1-1099899-7
2-5/16	4.20	1.54	0.23	1.30	0.65	20 or 299 (2)	brown	1/2	500 MCM	1-1099899-6
2-5/16	4.40	1.52	0.23	1.50	0.75	20 or 299 (2)	brown	5/8	500 MCM	1-1099899-5
2-3/16	4.20	1.38	0.19	1.50	0.75	19 or 470 (2)	blue	5/8	400 MCM	1-1099899-4
2-1/16	3.70	1.28	0.18	1.12	0.56	18 or 324 (2)	red	1/2	350 MCM	1-1099899-3
2-1/16	3.60	1.19	0.16	1.12	0.56	17 or 298 (2)	white	1/2	300 MCM	1-1099899-2
1-11/16	3.20	1.09	0.16	1.12	0.56	16 (2)	yellow	1/2	250 MCM	1-1099899-1
1-11/16	3.00	1.00	0.14	1.08	0.53	15 (2)	purple	1/2	4/0 STR.	1-1099899-0
1-9/16	2.90	0.91	0.13	1.08	0.53	14 (2)	orange	1/2	3/0 STR.	1099899-9
1-9/16	2.70	0.82	0.12	0.88	0.44	13 (2)	black	3/8	2/0 STR.	1099899-8
1-7/16	2.70	0.75	0.11	1.08	0.53	12 or 348 (2)	pink	1/2	1/0 STR.	1099899-7
1-7/16	2.40	0.74	0.12	0.75	0.38	12 or 348 (2)	pink	5/16	1/0 STR.	1099899-6
1-7/16	2.40	0.68	0.10	0.75	0.38	11 or 375 (2)	green	5/16	1 STR.	1099899-5
1-5/16	2.30	0.60	0.11	0.75	0.38	10 (2)	brown	5/16	2 STR.	1099899-4
1-1/4	2.30	0.57	0.09	0.70	0.34	9 (2)	white	5/16	3 STR.	1099899-3
1-3/16	1.90	0.50	0.09	0.56	0.27	8 or 346 (2)	gray	1/4	4 STR.	1099899-2
1-3/16	1.90	0.45	0.08	0.56	0.27	7 or 374 (2)	blue	1/4	6 STR.	1099899-1
WIRE STRIP LENGTH	L REF	W REF	T REF	D	N	DIE INDEX (NO OF CRIMPS)	COLOUR CODE	BOLT SIZE	CONDUCTOR	PART NO

THIS DRAWING IS A CONTROLLED DOCUMENT.

DIMENSIONS: INCHES	TOLERANCES UNLESS OTHERWISE SPECIFIED:	DWN D. ROBITAILLE 24 SEP 03	Tyco Electronics Corporation Markham, ON L3R 1E1
	0 PLC ± 1 PLC ± 2 PLC ± 3 PLC ± 4 PLC ± ANGLES ± FINISH	CHK A. BULZA 29 SEP 03 APVD B. JOHNSON 29 SEP 03 PRODUCT SPEC APPLICATION SPEC	
MATERIAL	1	4	NAME COMPRESSION TERMINAL, COPPER, ONE HOLE PAD, LONG BARREL, PLATED SIZE CAGE CODE DRAWING NO RESTRICTED TO A2 00779 C=1099899 CUSTOMER DRAWING SCALE NTS SHEET 1 OF 1 REV B