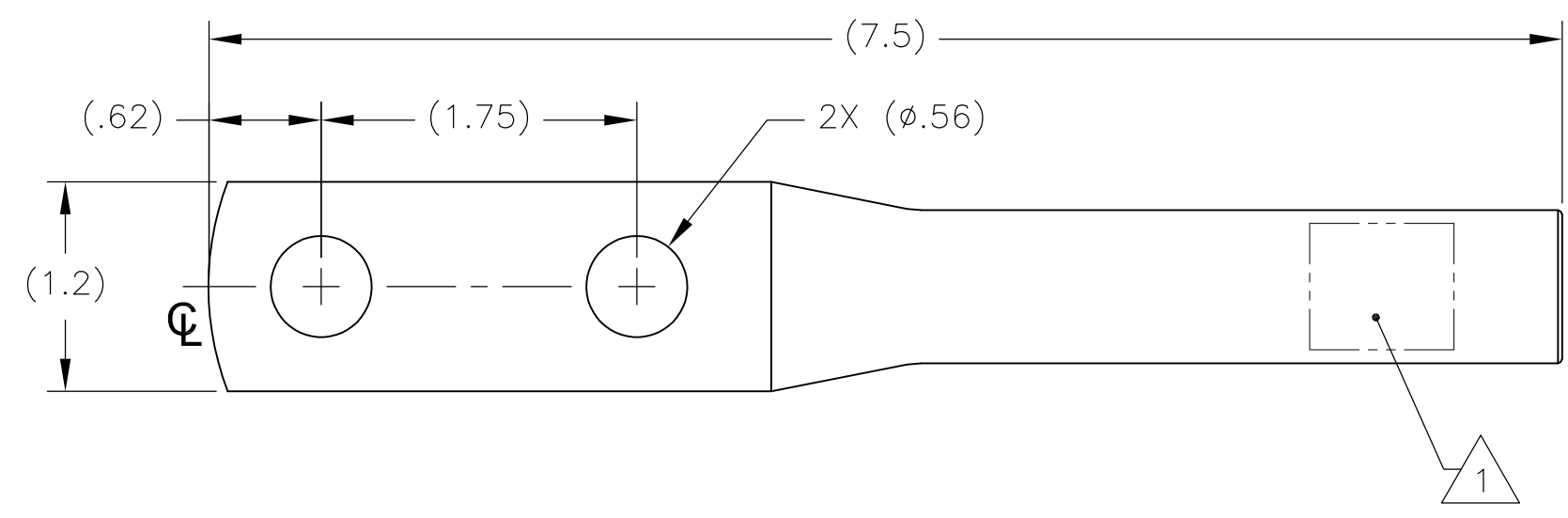
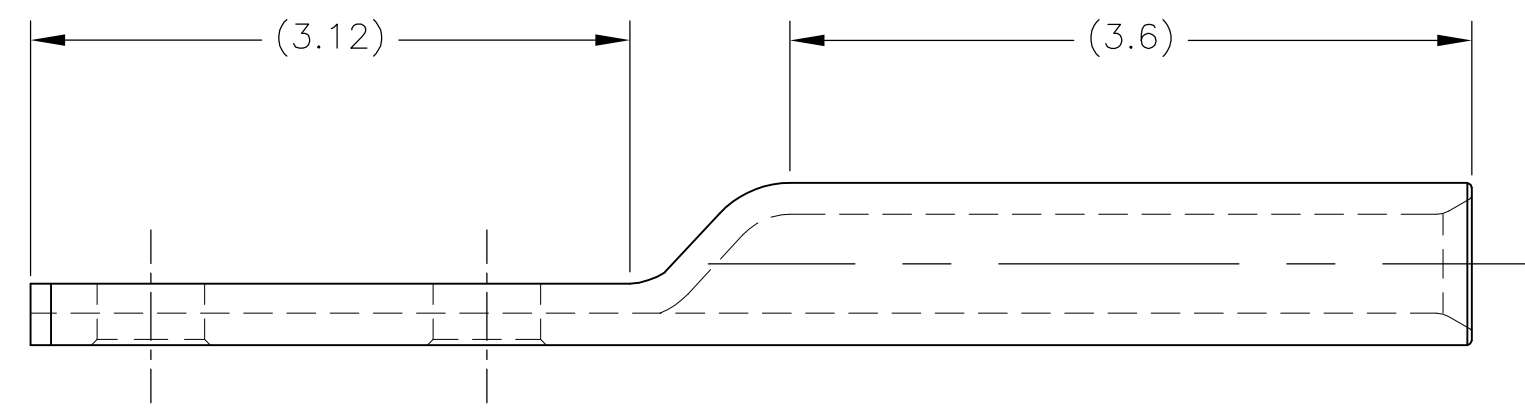


THIS DRAWING IS UNPUBLISHED. RELEASED FOR PUBLICATION  
 © COPYRIGHT - - ALL RIGHTS RESERVED.

REVISIONS					
P	LTR	DESCRIPTION	DATE	DWN	APVD
	B	LC20-0024-13 / ECO-13-003266	20FEB2013	DM	BJ
	B1	LC20-0097-16 / ECO-16-013619	16SEP2016	JG	BJ



- 1 MARKING:  
**STE**  
 CKLE202NTN  
 2/0 AWG 427  
 CSA 24 CU  
 [DATE CODE]
2. ACCOMMODATES:  
 2/0 AWG 427 STR EXTRA FLEX  
 CONDUCTORS.
3. HARDNESS:  
 SOFT TEMPERED.



721-D0070	L877	CKLE202NTN	1099994-1
O.H. C/N	O.H. SPEC	CATALOG NO.	PART NO.

THIS DRAWING IS A CONTROLLED DOCUMENT.		DWN D. ROBITAILLE 29OCT2002	<b>STE</b> TE Connectivity	
DIMENSIONS: INCHES		CHK A. BULZA 06JAN2003		
		APVD B. JOHNSON 06JAN2003		NAME COPRESSION LUG, COPPER, TWO HOLE NEMA PAD, 2/0 AWG EXTRA FLEX CONDUCTORS
		PRODUCT SPEC -		
MATERIAL ETP COPPER		FINISH ELECTRO-TIN PLATED		APPLICATION SPEC -
		WEIGHT		RESTRICTED TO -
		CUSTOMER DRAWING		SIZE A3
		SCALE NTS		CAGE CODE 0779
		SHEET 1 OF 1		DRAWING NO C-1099994
		REV B1		