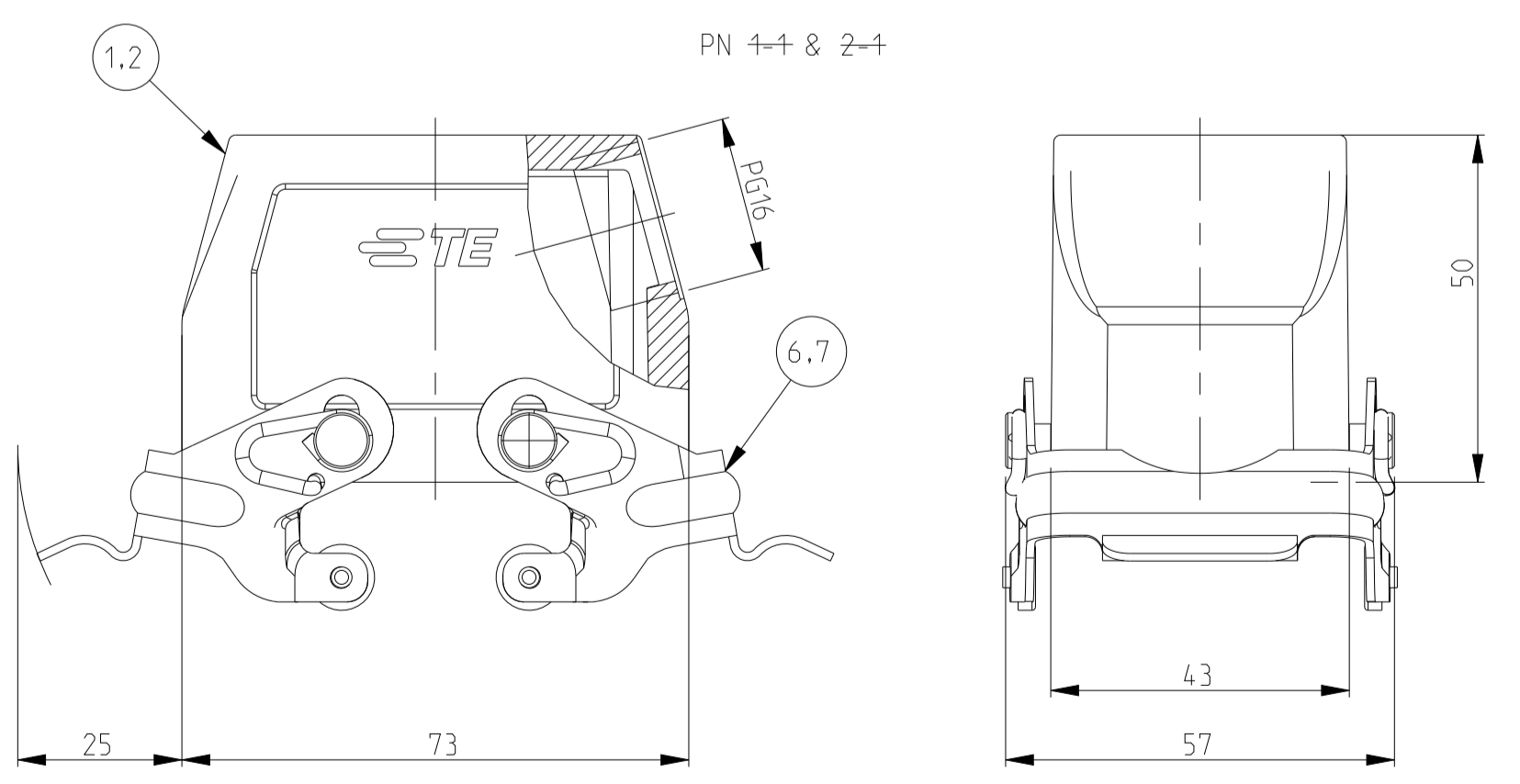
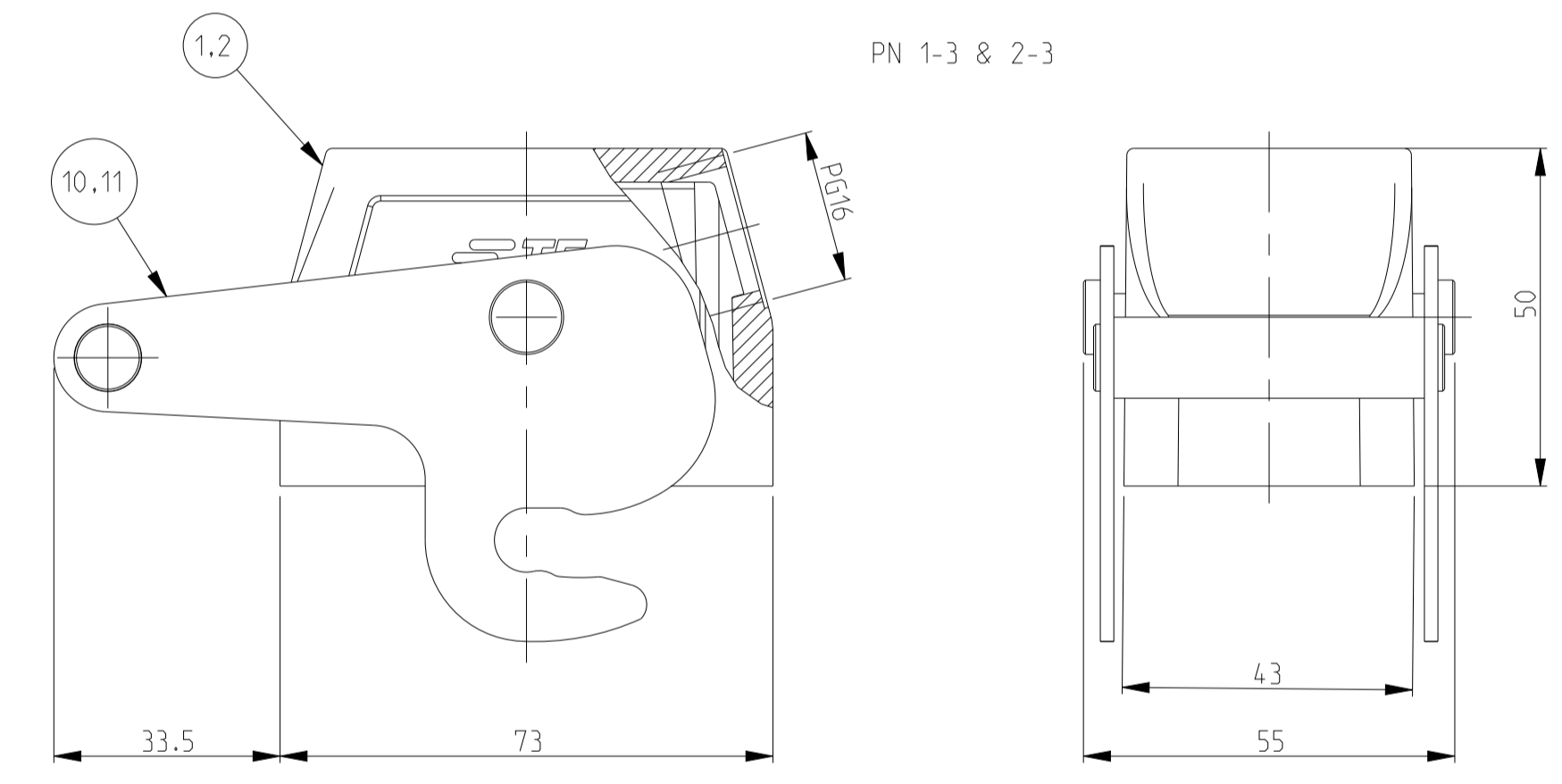
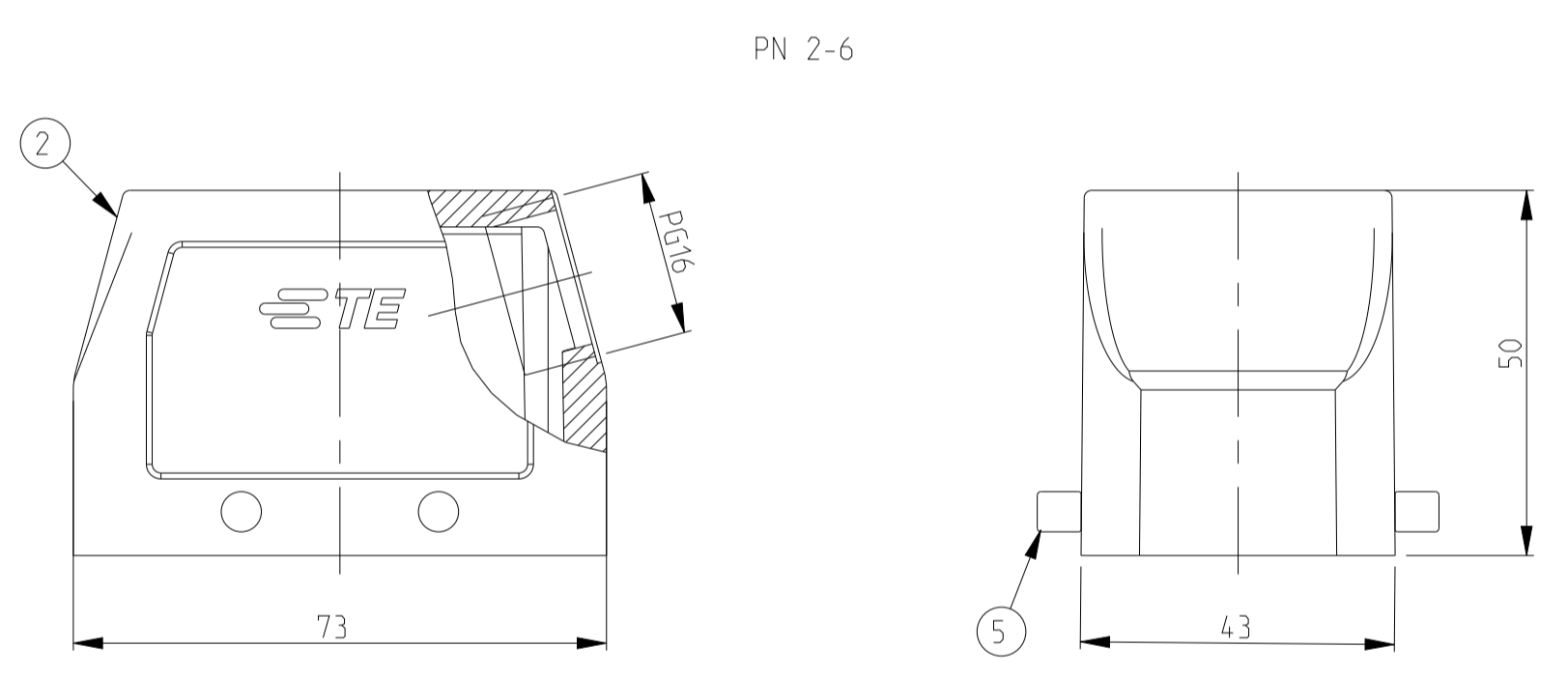
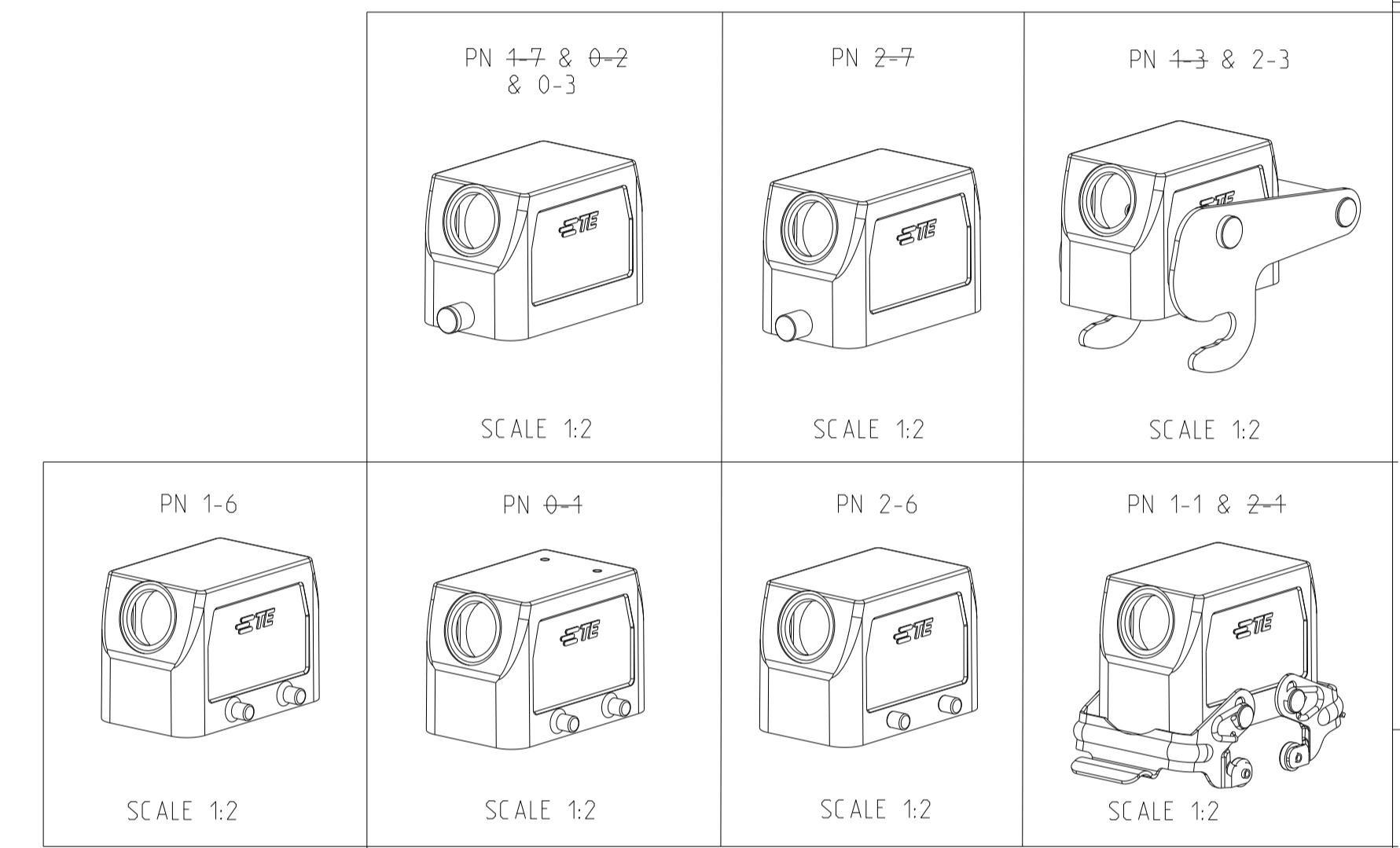
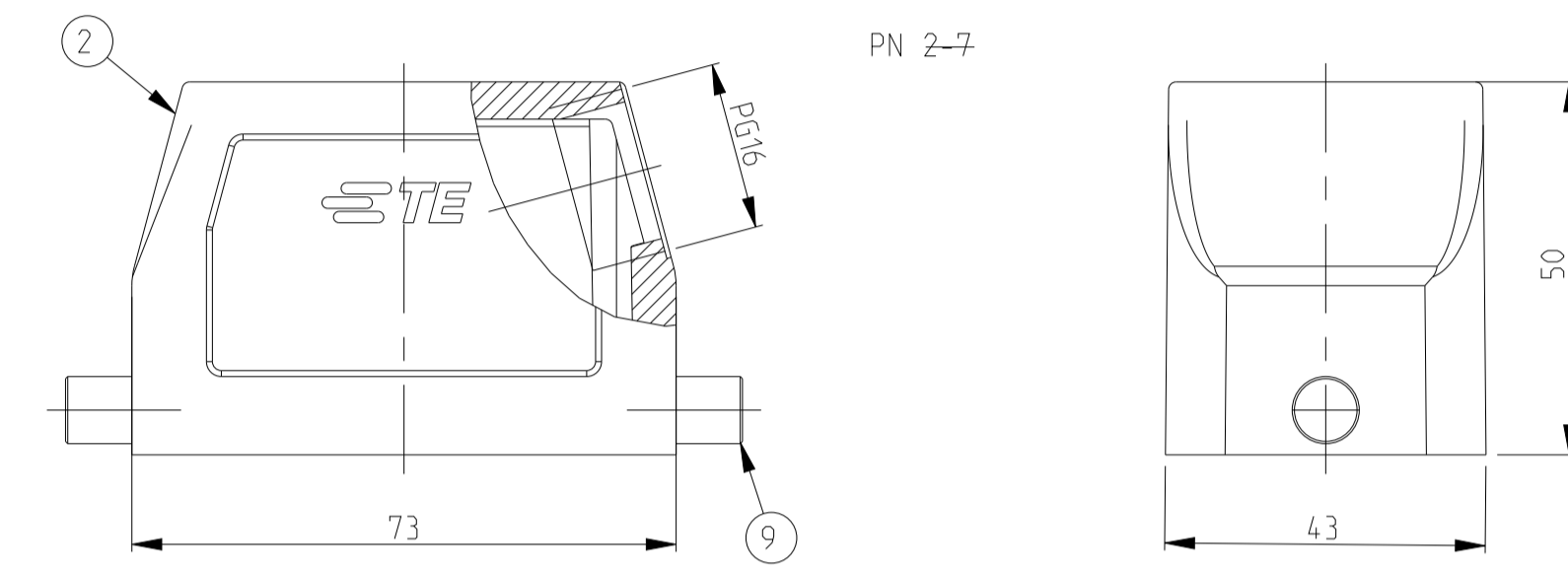
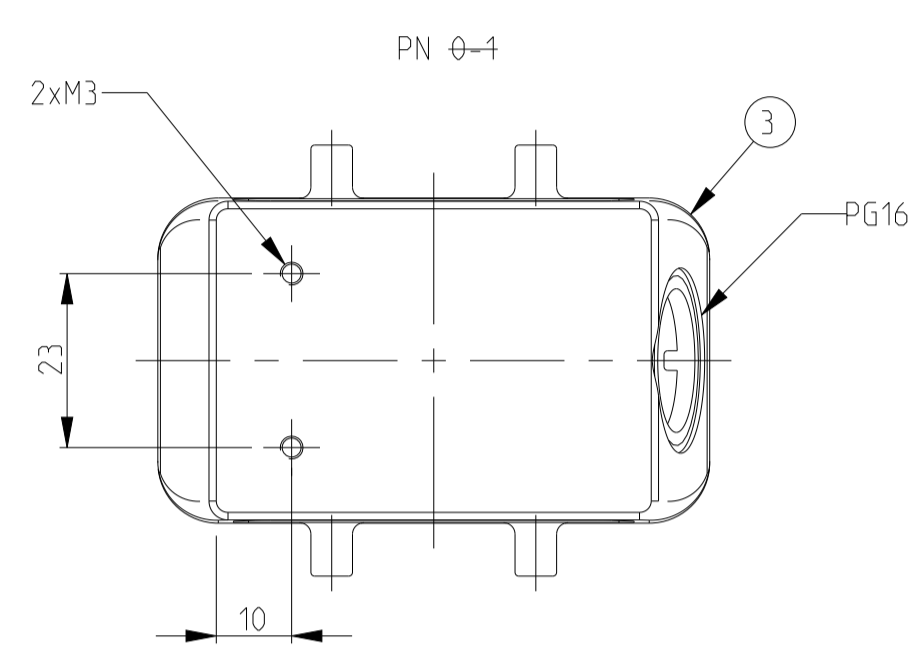
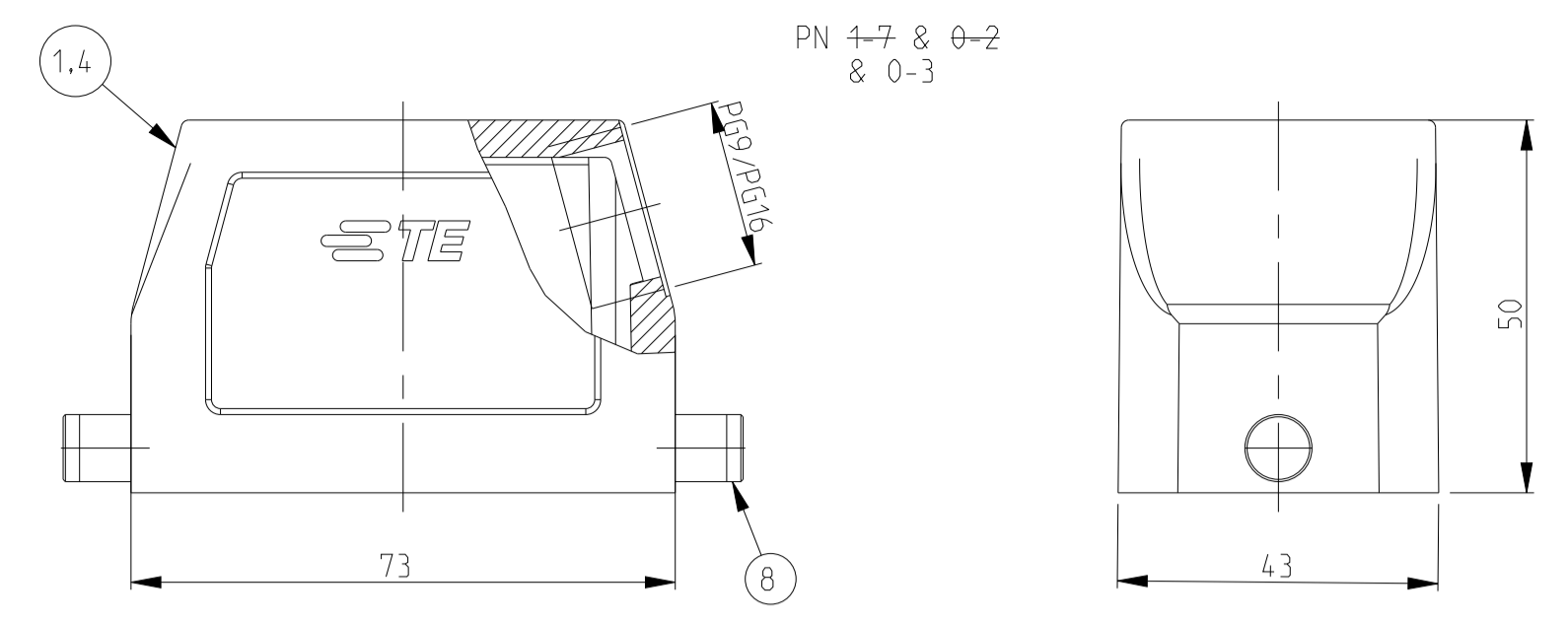
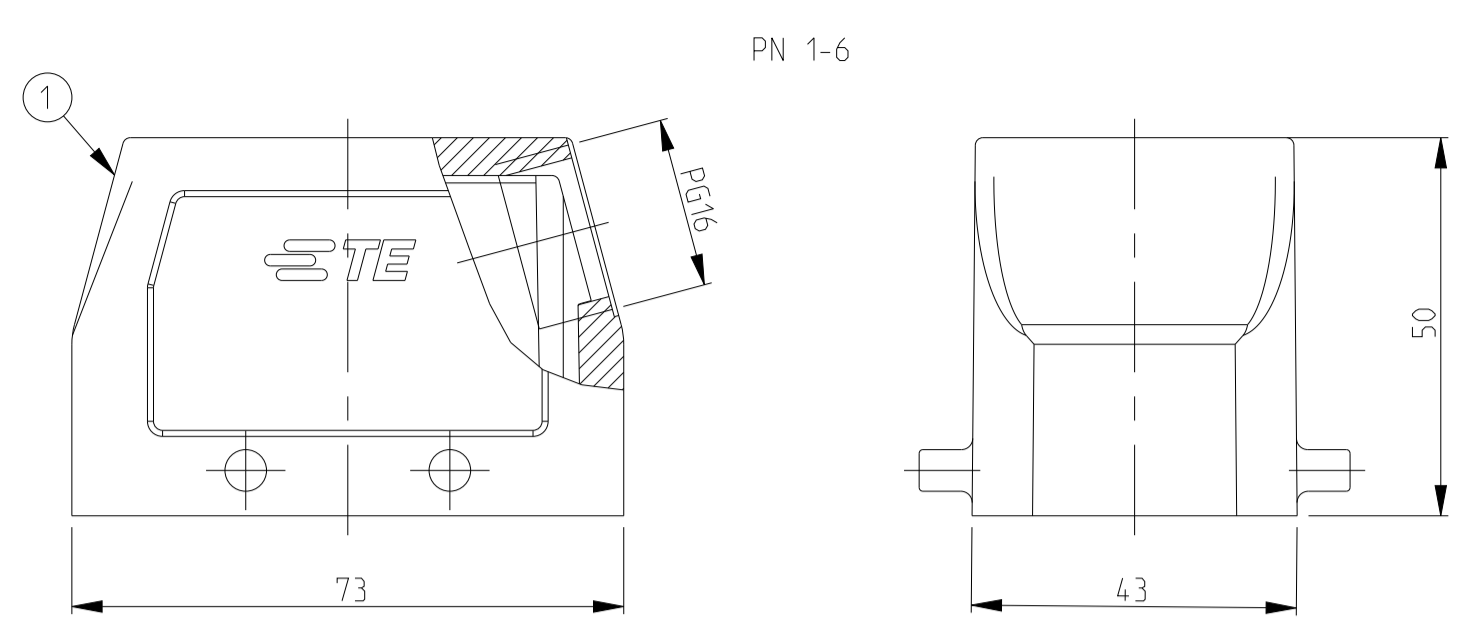


REVISIONS				
P	LTM	DESCRIPTION	DATE	APPV
A9		ECR-21-123293	2FEB2022	RK JB
A10		REVISED PER ECN-24-266180	21AUG2024	RK WR

- NOTES.
- 1 Material:Housing:Aluminium Diecasting Alloy
  - 2 Surface-Powder Varnish Grey  
-Aluminium Oxide +  
Varnish Black
  - 3 Varnish on the inside not necessary
  - 4 Packaging  
Quantity 5 Pieces in a box



QTY	DESCRIPTION	MATERIAL	SURFACE	COLOR	ITEM NO	NOTES
1	ZB-Central clip	Stainless steel	Blank	-	11	
1	ZB-Central clip	Steel	Zinc plated	Blue	10	
2	LB- Clip bolt	Stainless steel	Blank	-	9	
2	LB- Clip bolt	Steel	Zinc plated	Blue	8	
2	VS-Side clip	Stainless steel	Blank	-	7	
2	VS-Side clip	Steel	Zinc plated	Blue	6	
4	VS- Clip bolt	Stainless steel	Blank	-	5	
1	HB- Hood	Aluminium	-	No varnish	4	
1	HB- Hood	Aluminium	-	Grey	3	Identification plate
1	HB-K Hood	Aluminium	Aluminium oxide	Black	2	
1	HB- Hood	Aluminium	-	Grey	1	

THIS DRAWING IS A CONTROLLED DOCUMENT.

APV: Schneider 19.05.00  
CHK: Schwiiger 19.05.00

NAME: Hood  
HB.10.STS.1.16.G

PRODUCT SPEC: -  
APPLICATION SPEC: -

SCALE: 1:1 SHEET 1 OF 1

CUSTOMER DRAW ING