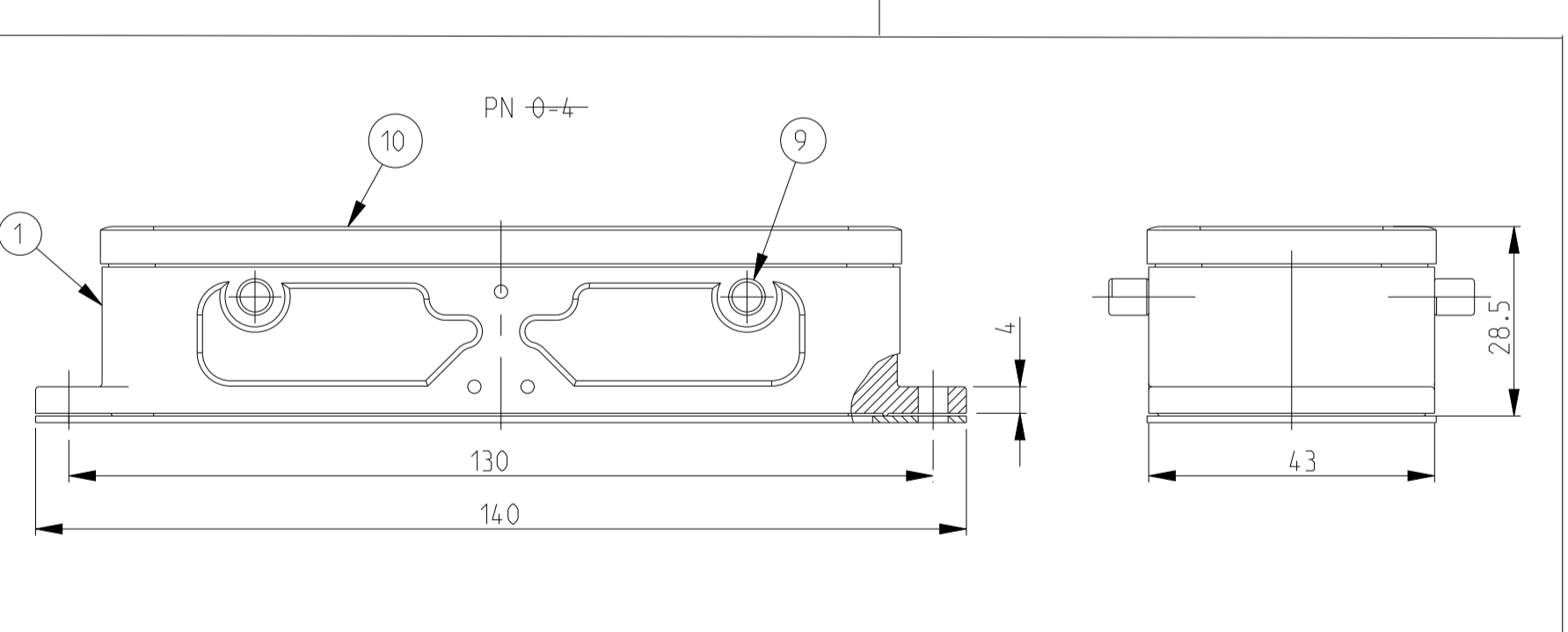
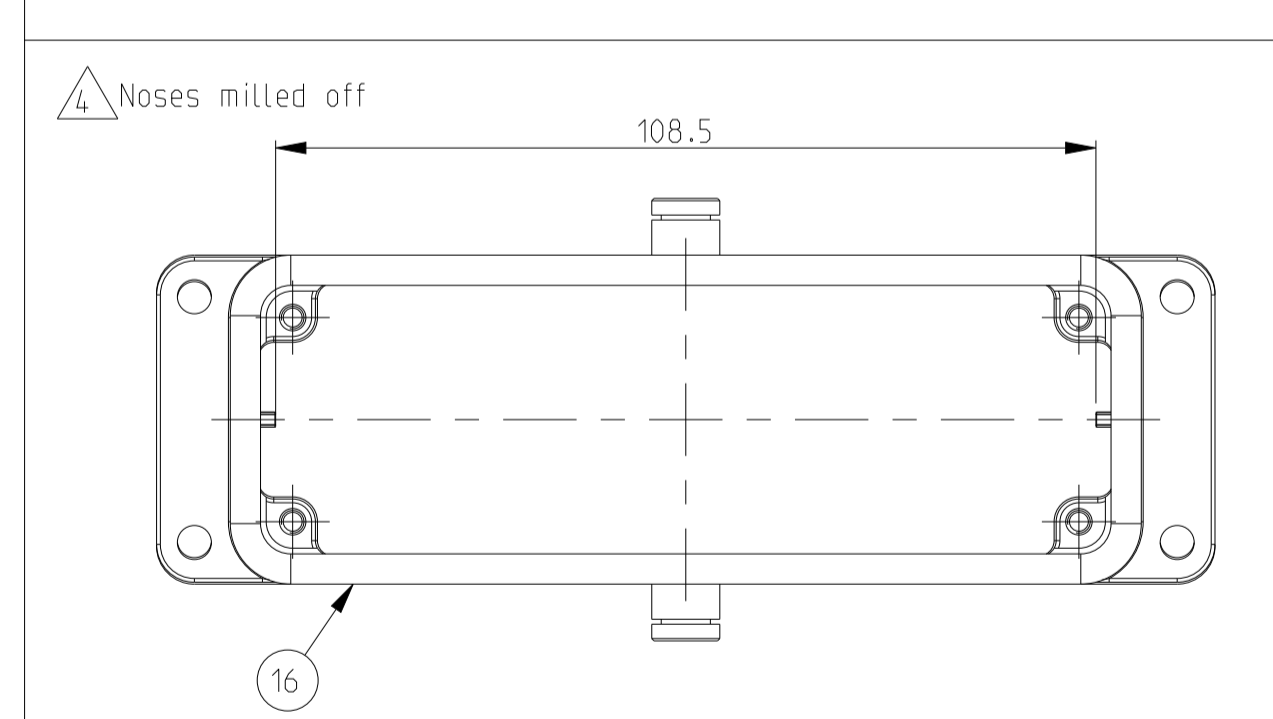
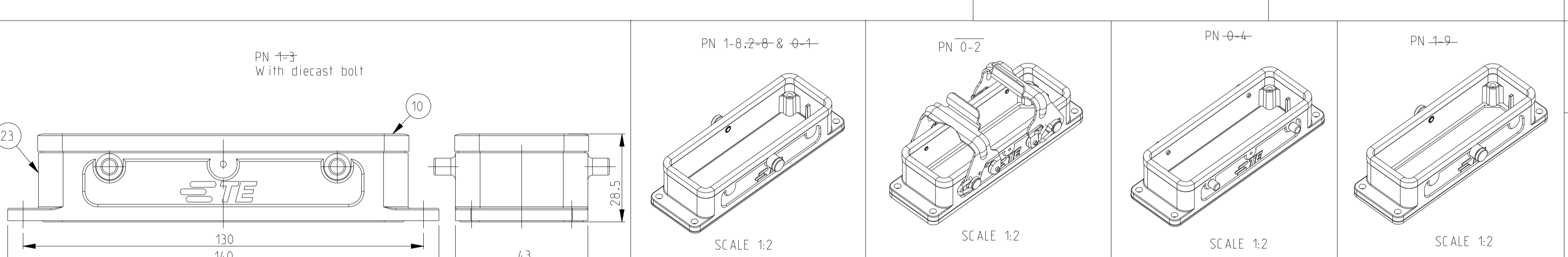
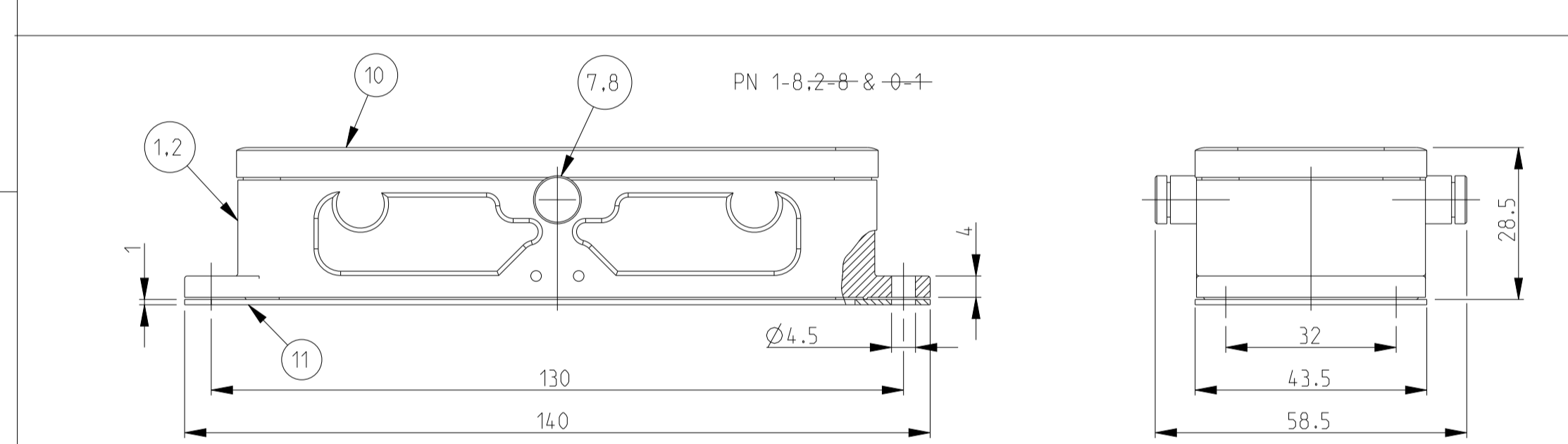
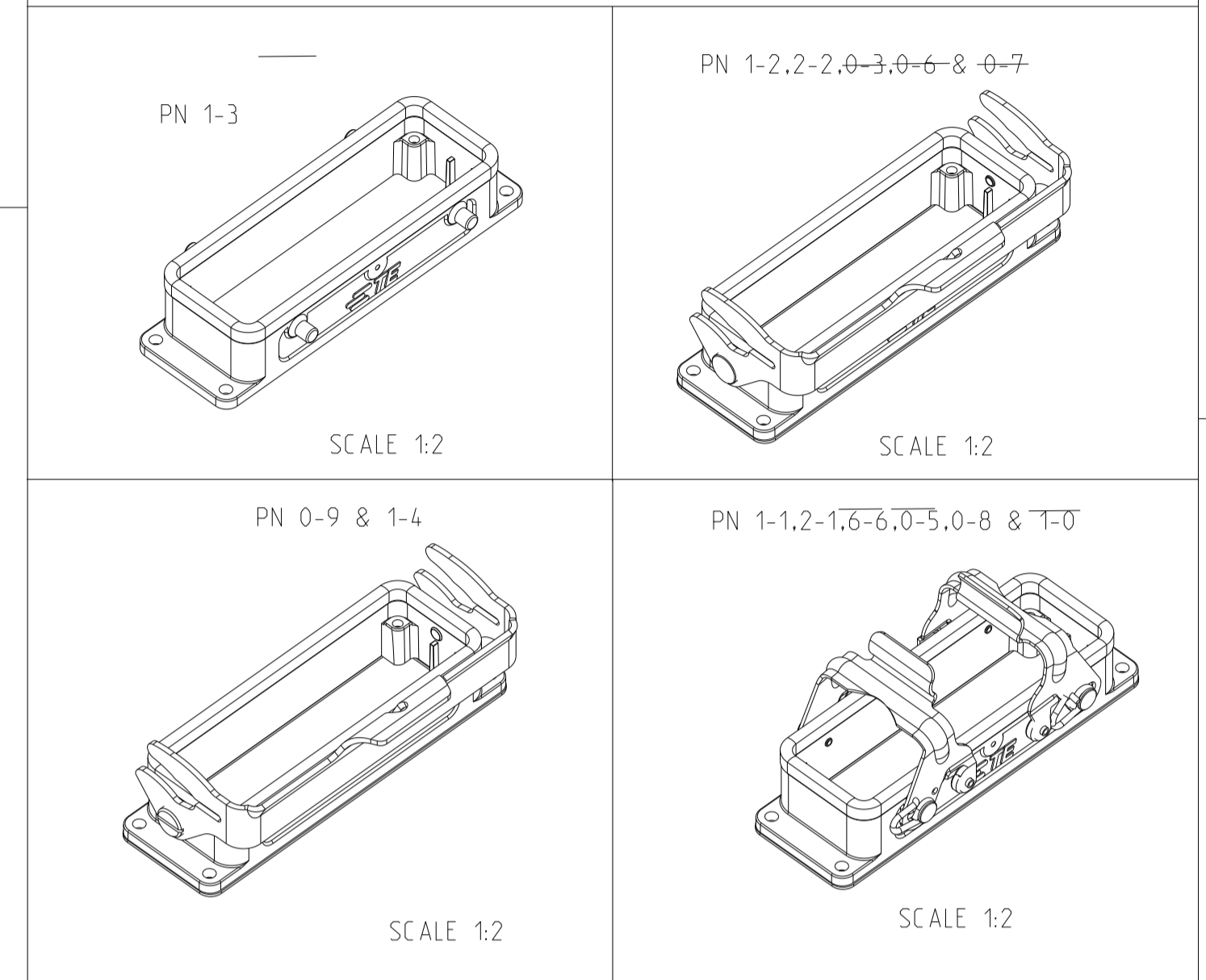
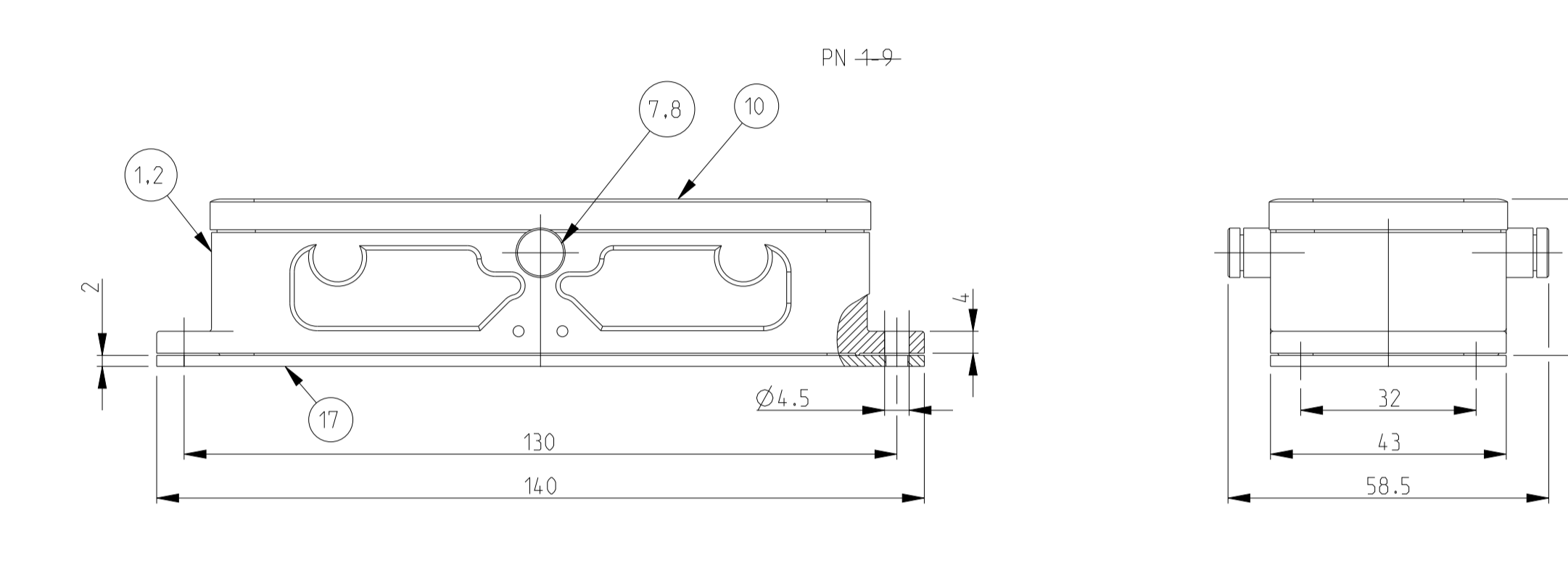
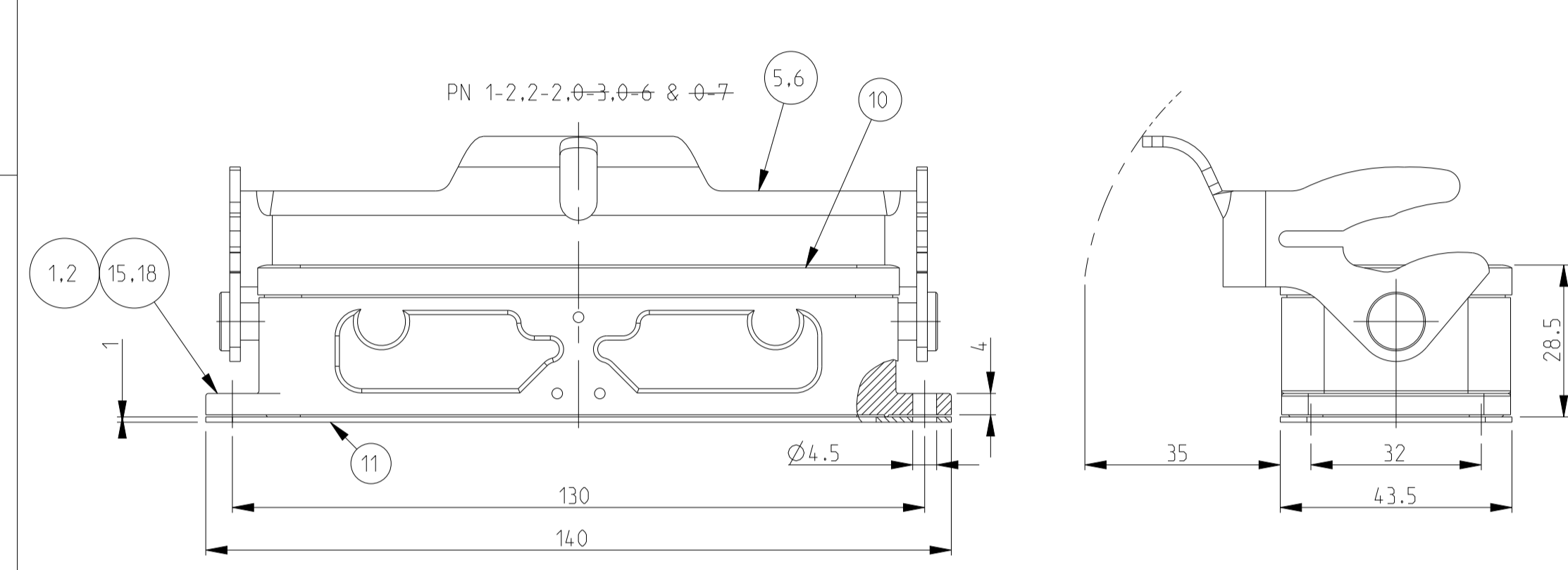
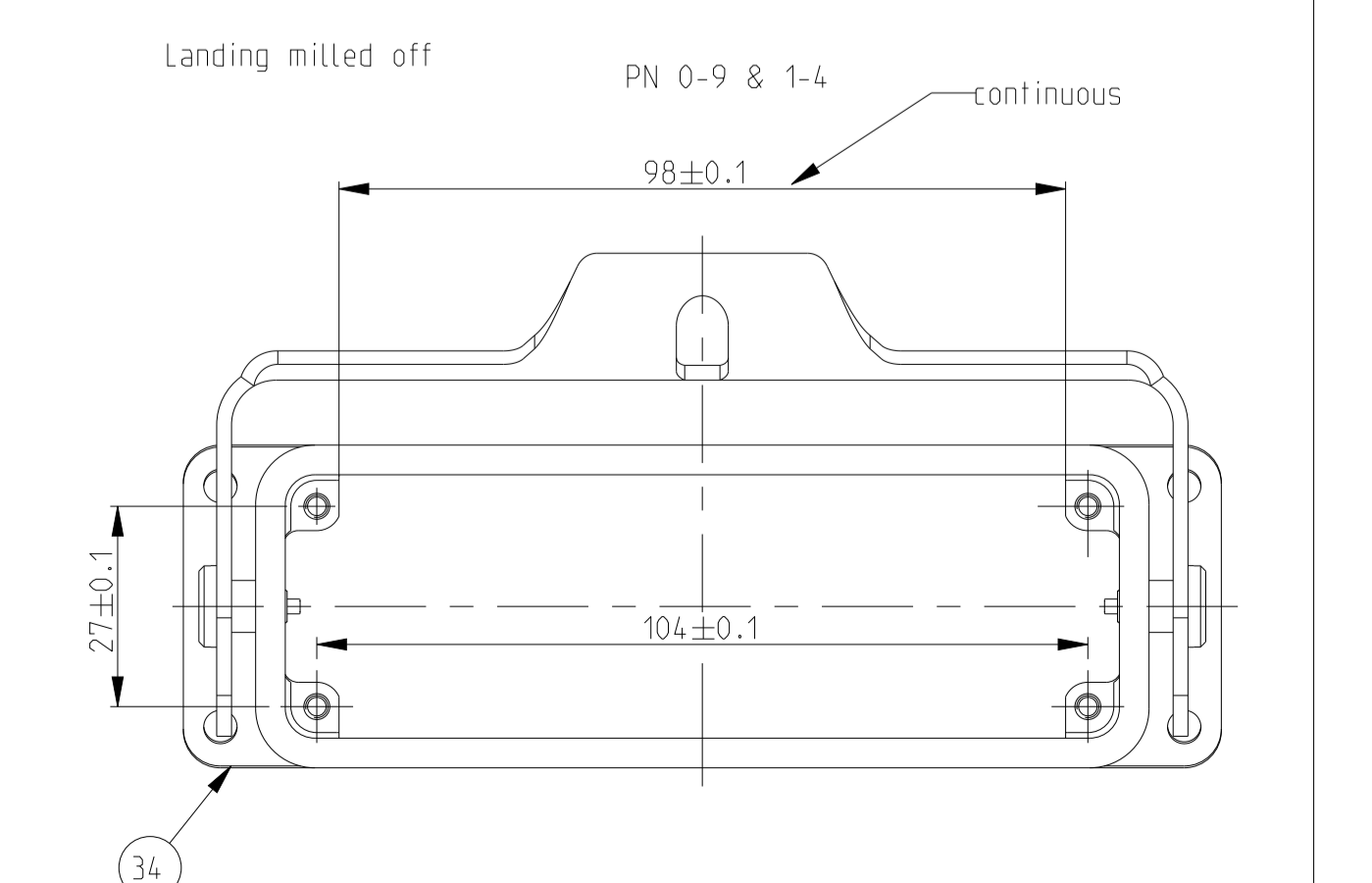
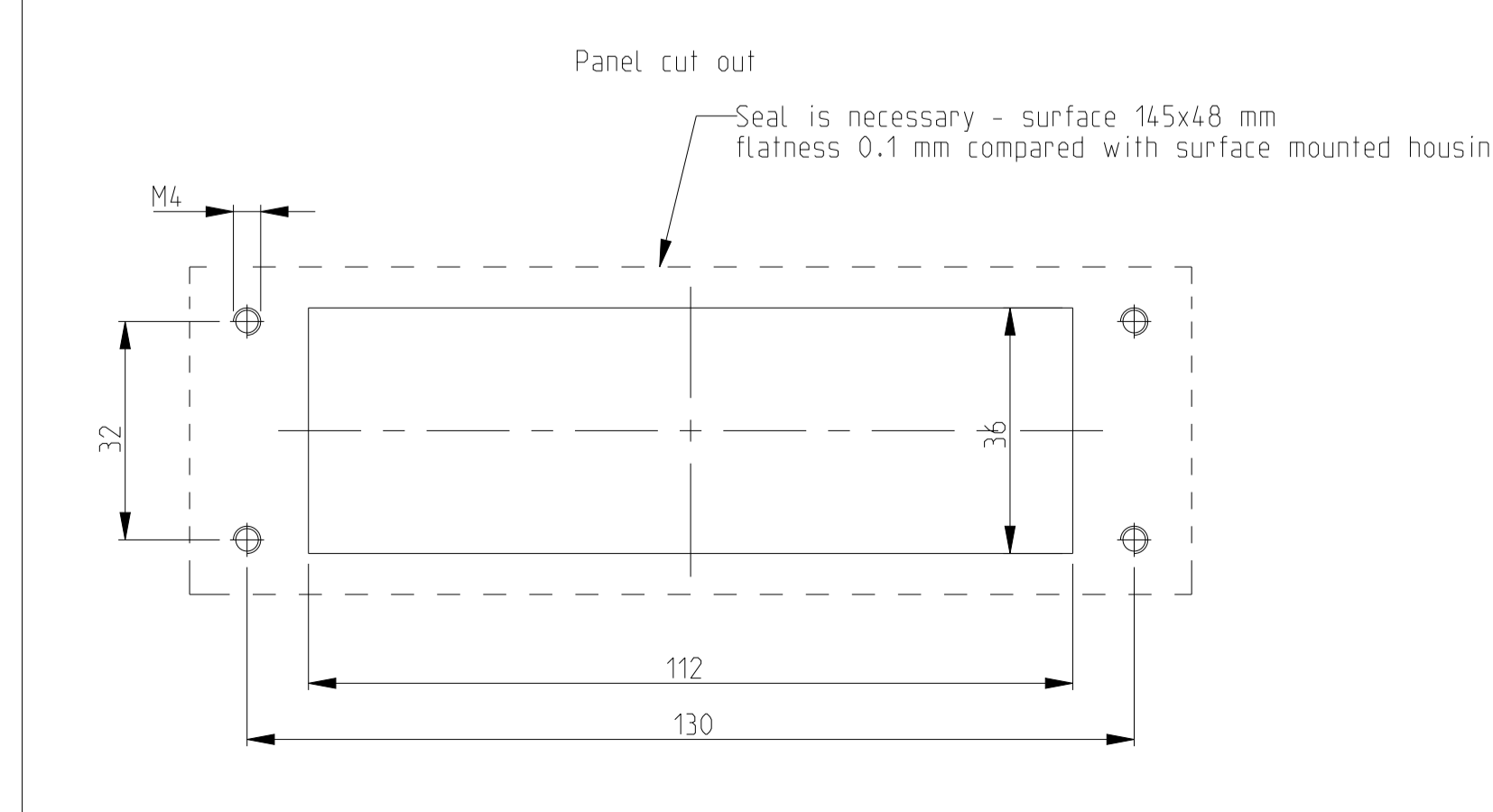


REVISIONS				
P	LTN	DESCRIPTION	DATE	OWN APVD
C2	ECR-16-016768		15NOV2017	GR MKO
C3	ECR-17-014033		13MAR2018	SG MKO
C4	ECR-21-123293		23FEB2022	RK JB
C5	REVISED PER ECN-24-266180		21AUG2024	RK WR

NOTES
 1 Material : Housing : aluminium die casting alloy
 Seals : Neoprene : Viton
 2 Surface : Varnish - Grey
 - Aluminium oxide
 - Varnish black
 3 Varnish on the inside is not necessary
 4 Packaging
 Quantity 5 pieces in a box



ITEM NO	DESCRIPTION	MATERIAL	SURFACE	COLOR	ITEM NO	NOTES
1	Surface mounted housing side entry HB	Aluminium			23	With diecast bolt
1	Profile seal	Neoprene		Black	22	Conductive
1	Flange seal	Neoprene		Black	21	Conductive
1	Surface mounted housing side entry HB	Aluminium	Chromit AL TCP passivation	Black RAL9005	20	
1	Surface mounted housing side entry HB	Aluminium		Grey RAL7001	19	Neutral
1	Flange seal	Neoprene		Black	18	2 mm thick
1	Surface mounted housing side entry HB	Aluminium		Grey RAL7001	17	Noses milled off
1	Surface mounted housing side entry HB	Aluminium		Grey	16	Without TE indication
1	Surface mounted housing side entry HB-K	Aluminium	Aluminium oxide	Blank	15	
1	Surface mounted housing side entry HB	Aluminium		Grey RAL7001	14	Elecon-logo
1	Flanged seal	Viton		Black	13	
1	Profile seal	Viton		Light grey	12	3 mm thick
1	Flange seal	Neoprene		Black	11	1 mm thick
1	Profile seal	Neoprene		Black	10	
1	VS-Clip bolt	Steel	Zinc plated	Blue	9	
1	ZB-Clip bolt	Stainless steel		Blank	8	
1	ZB-Clip bolt	Steel	Zinc plated	Blue	7	
1	LB-Side clip	Stainless steel		Blank	6	
1	LB-Side clip	Steel	Zinc plated	Blue	5	
1	VS-Locking clip	Stainless steel		Blank	4	
1	VS-Locking clip	Steel	Zinc plated	Blue	3	
1	Surface mounted housing side entry HB-K	Aluminium	Aluminium oxide	Black RAL9005	2	
1	Surface mounted housing side entry HB	Aluminium		Grey RAL7001	1	



THIS DRAWING IS A CONTROLLED DOCUMENT. DWN: Schweiger 23.071997
 CHK: Kramer 26.06.1998

TE Connectivity

PRODUCT SPEC: 108-74001/74003
 APPLICATION SPEC: 114-74001/74004/74005

SIZE: A1 CAGE CODE: 00779 DRAWING NO: 1102291
 WEIGHT: - RESTRICTED TO: -

CUSTOMER DRAWING SCALE: 5:1 SHEET: 1 OF 1 REV: C5