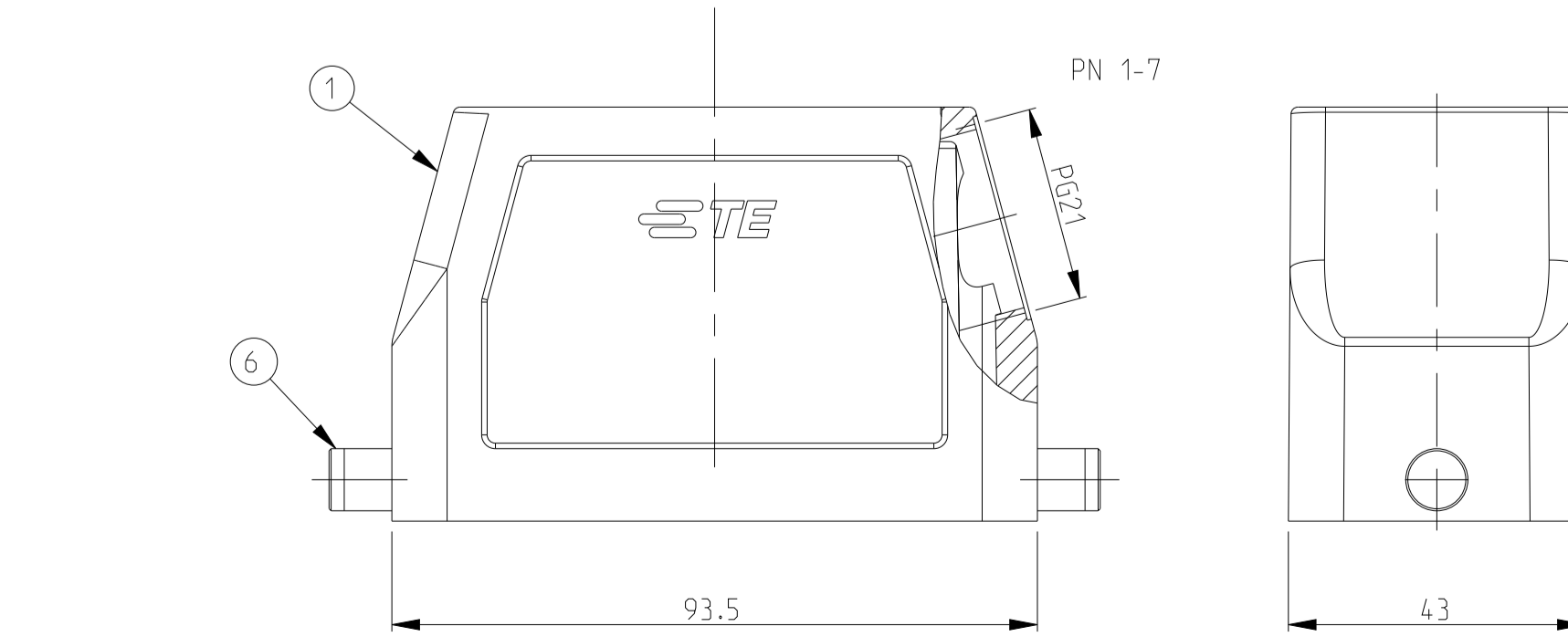
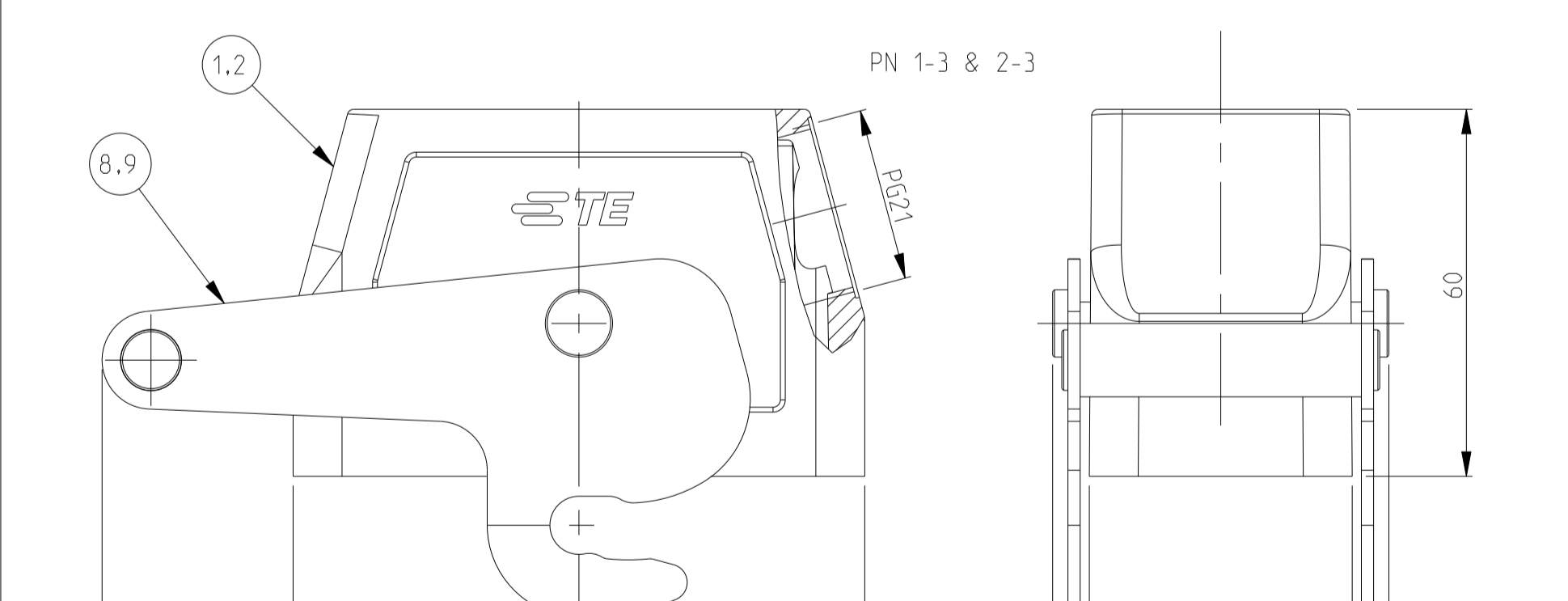
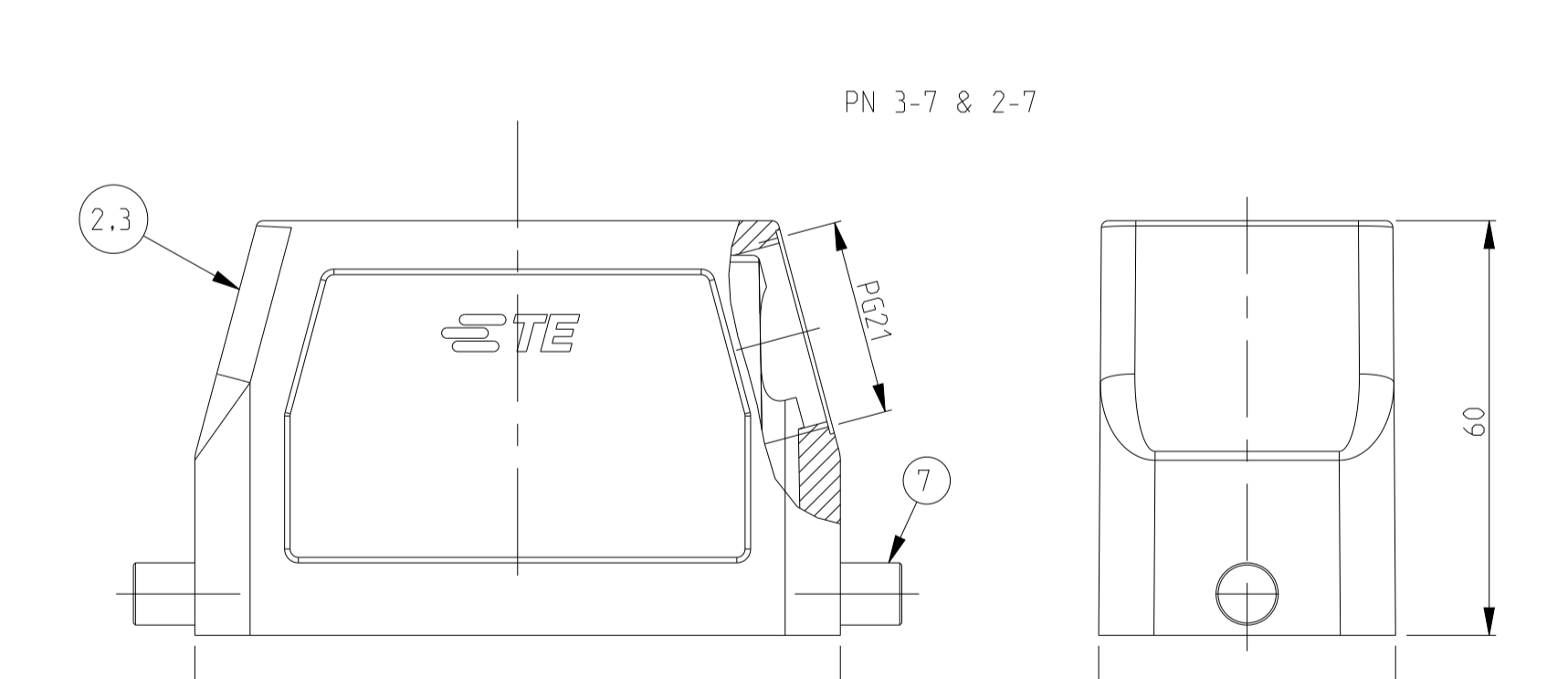
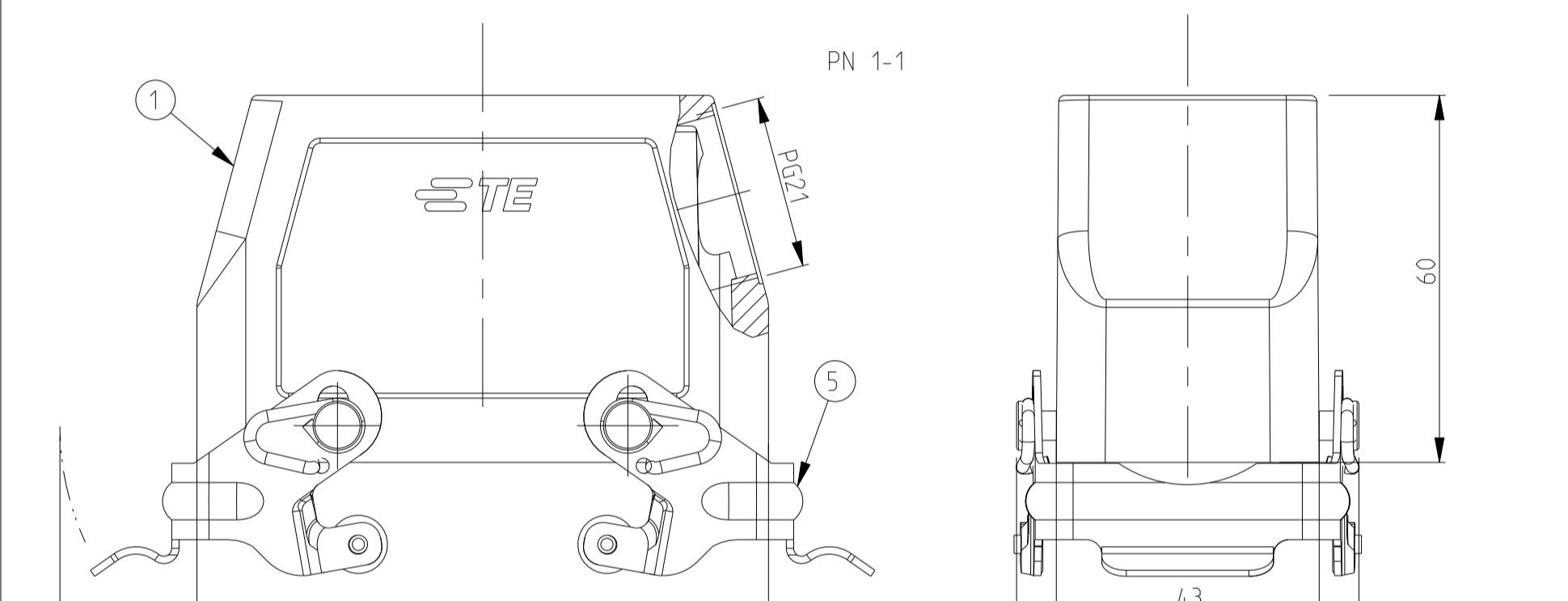
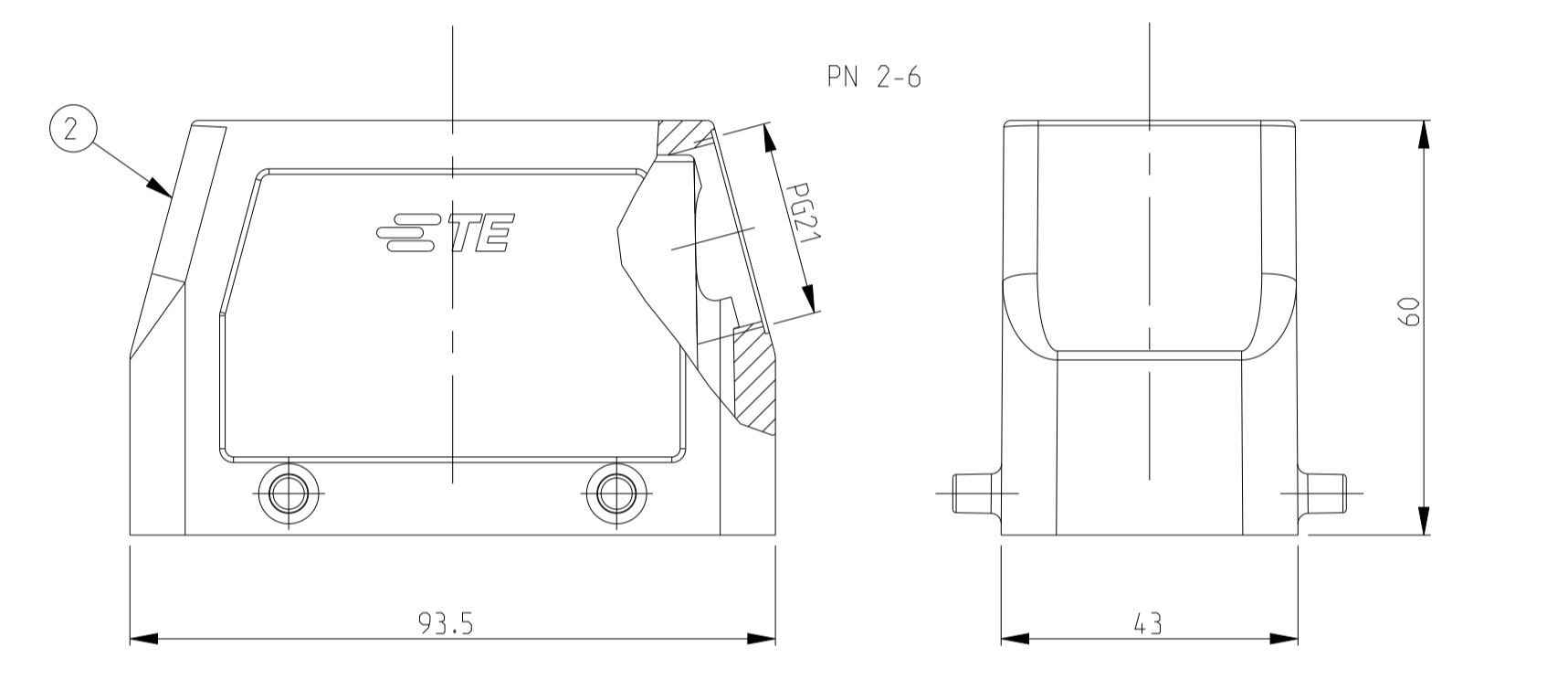
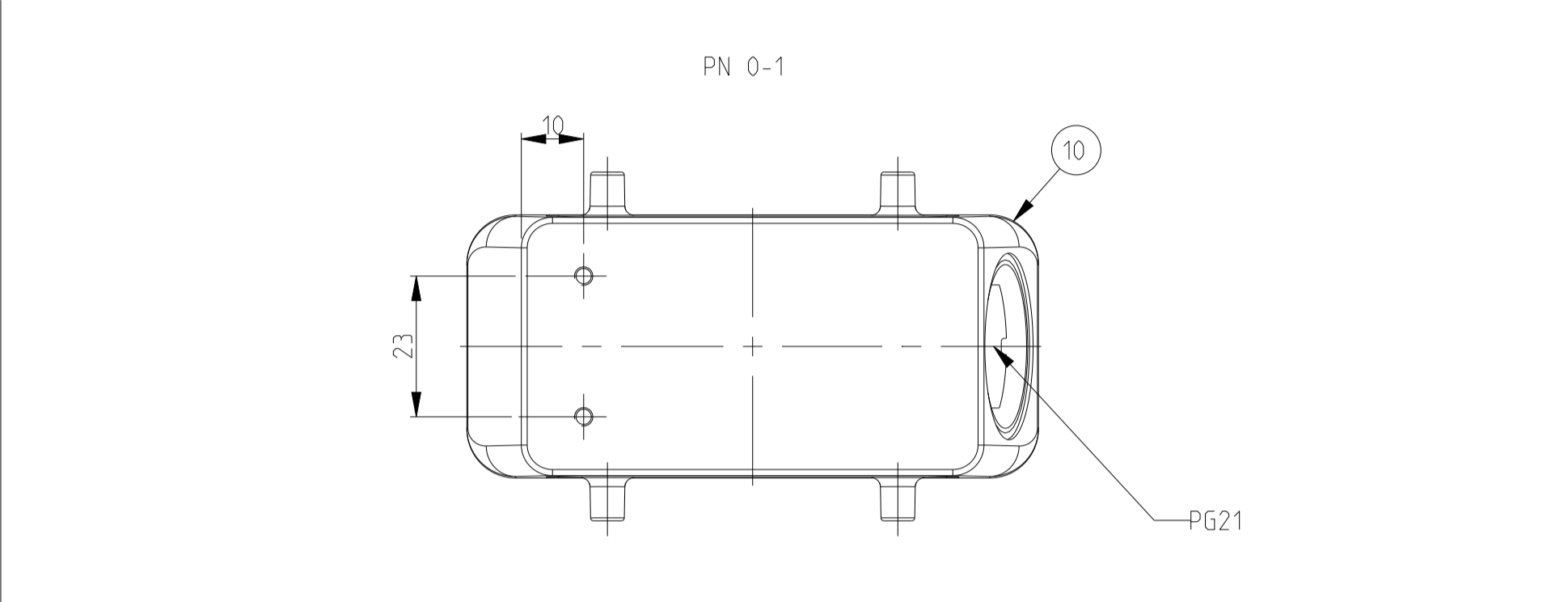
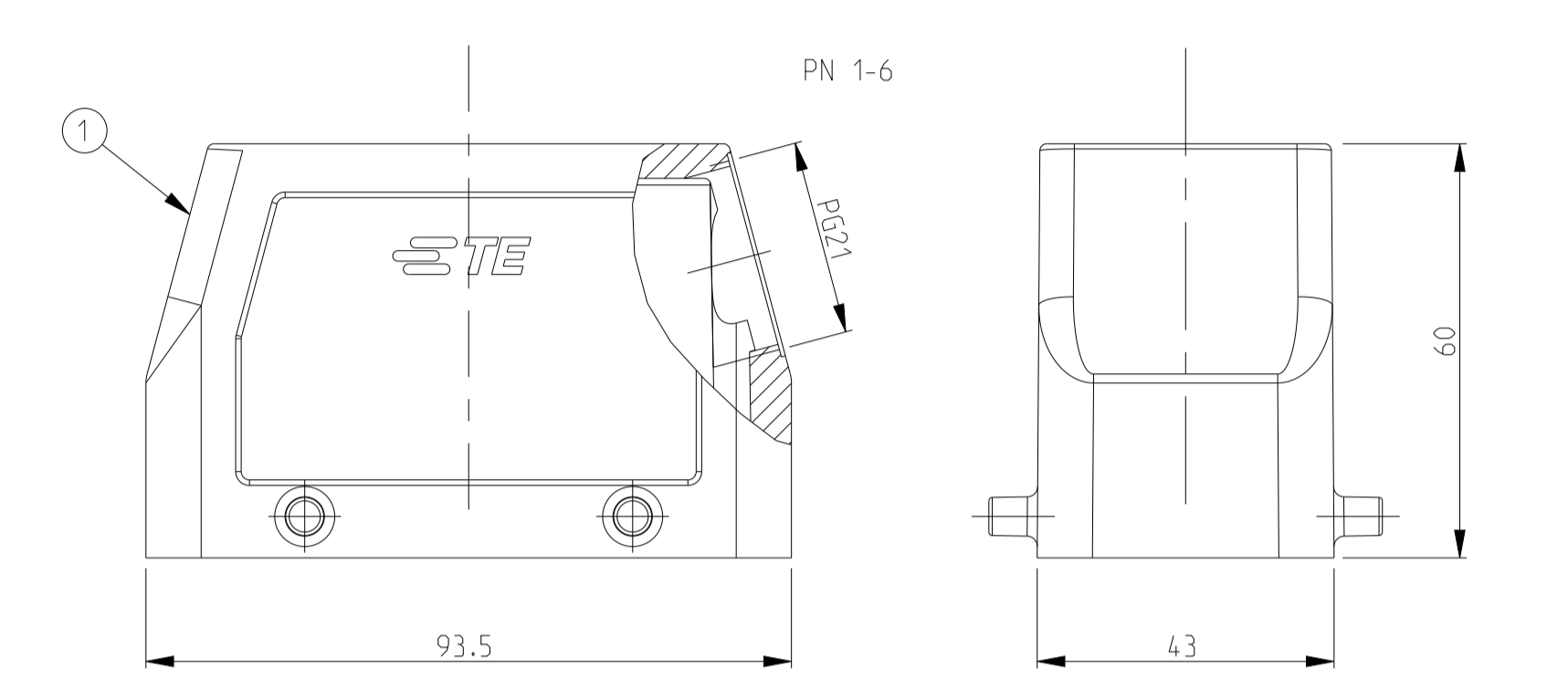
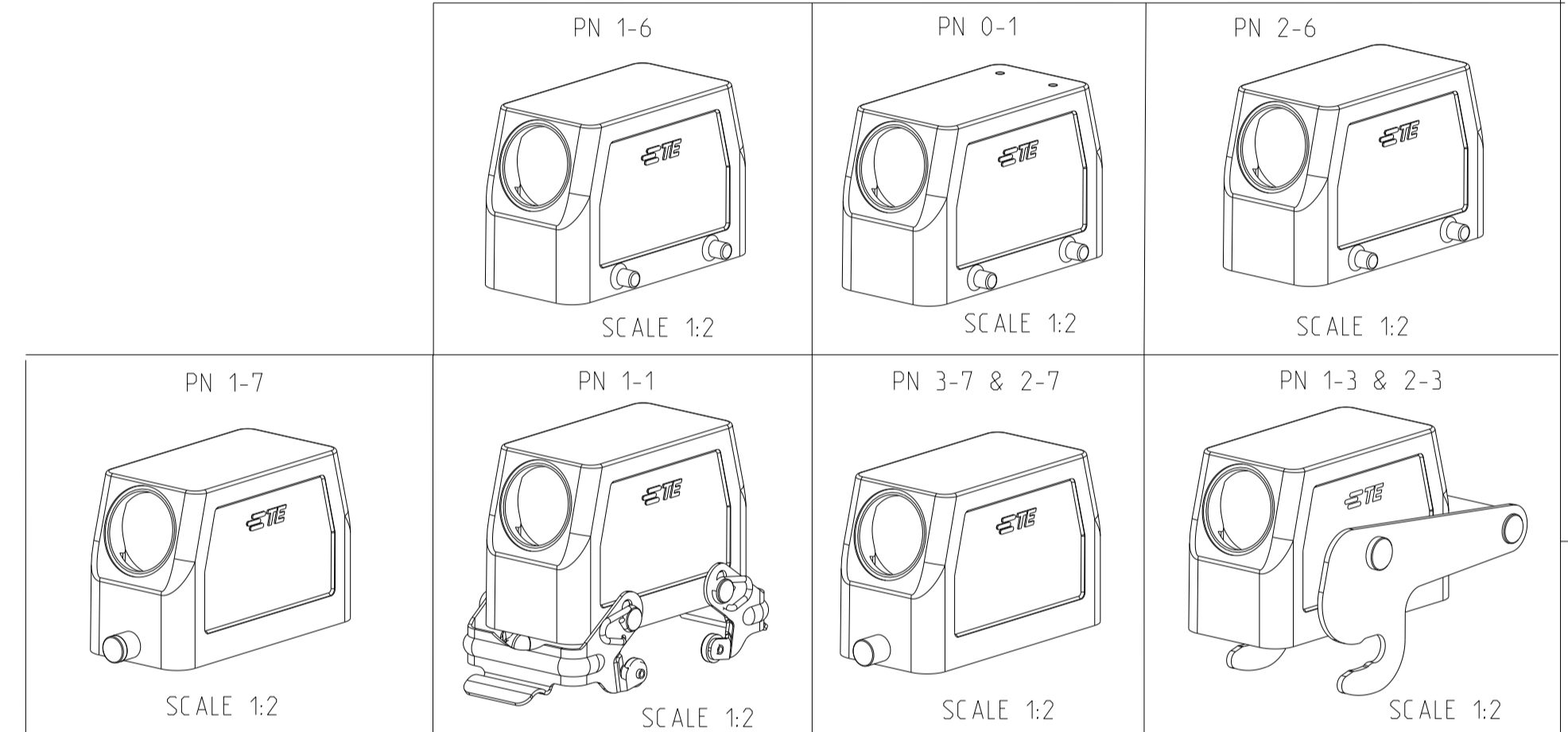


REVISIONS					
P	LTA	DESCRIPTION	DATE	DWN	APVD
A6		REVISED PER ECO-09-027197	16DEC2009	KK	AEQ
A7		ECR-17-013084	02APR2018	SG	MKO
A8		ECR-21-123293	23FEB2022	RK	JB
A9		REVISED PER ECN-24-266180	21AUG2024	RK	WR



- NOTES
- Material: Housing: aluminium diecasting alloy
  - Surface: - Powder varnish grey  
- Aluminium oxide+  
- Varnish black
  - Varnish on the inside not necessary
  - Packaging  
Packaging quantity 5 piece in a box
  - OBsolete parts: OBSOLETE CIS STREAMLINING PER D.RENAUD/D.SINISI



QTY	DESCRIPTION	MATERIAL	SURFACE	COLOR	ITEM NO	NOTES
10	Hood HB.16 Pg.1.21	Aluminium		Grey	10	2xM3 for nameplate
9	ZB-Locking Clip	Stainless steel			9	-
8	ZB-Locking Clip	Steel	Zinc plated	Blue	8	-
7	LB-Clip bolt	Stainless steel			7	-
6	LB-Clip bolt	Steel	Zinc plated	Blue	6	Special
5	VS-Locking clip	Steel	Zinc plated	Blue	5	-
4	VS-Clip bolt	Stainless steel			4	-
3	Hood HB.16 Pg.1.21	Aluminium		No varnish	3	-
2	Hood HB.16 Pg.1.21	Aluminium	Aluminium oxide	Black	2	Special
1	Hood HB.16 Pg.1.21	Aluminium		Grey	1	-

THIS DRAWING IS A CONTROLLED DOCUMENT.

DWN: Schneider 31.03.1999  
 CHK: Schweizer 31.03.1999

DIMENSIONS: mm  
 TOLERANCES UNLESS SPECIFIED: mm  
 0: ±0.1  
 1: ±0.2  
 2: ±0.3  
 3: ±0.4  
 4: ±0.5  
 ANGLES: ±0.5°

MATERIAL: HB.16.STS.1.21.G-S0  
 FINISH:

ORDERING TEXT:  
 HB.16.STS.1.21.G  
 HB-K.16.STS.1.21.G  
 HB.16.STS-VS.1.21.G  
 HB.16.STS-GR.1.21.G  
 HB-K.16.STS-GR.1.21.G  
 HB-Z.16.STS-ZB.1.21.G  
 HB-K/Z.16.STS-ZB.1.21.G  
 HB.16.STS-GR.1.21.G-S0  
 HB.16.STS.1.21.G-S0

DWG NAME: Hood HB.16.STS.1.21.G  
 PRODUCT SPEC: 108-74001  
 APPLICATION SPEC: 114-74001  
 WEIGHT: 114-74004  
 SIZE: A1  
 CAGE CODE: 00779  
 DRAWING NO: 1102292  
 SCALE: 1:1  
 SHEET: 1 OF 1  
 REV: A9