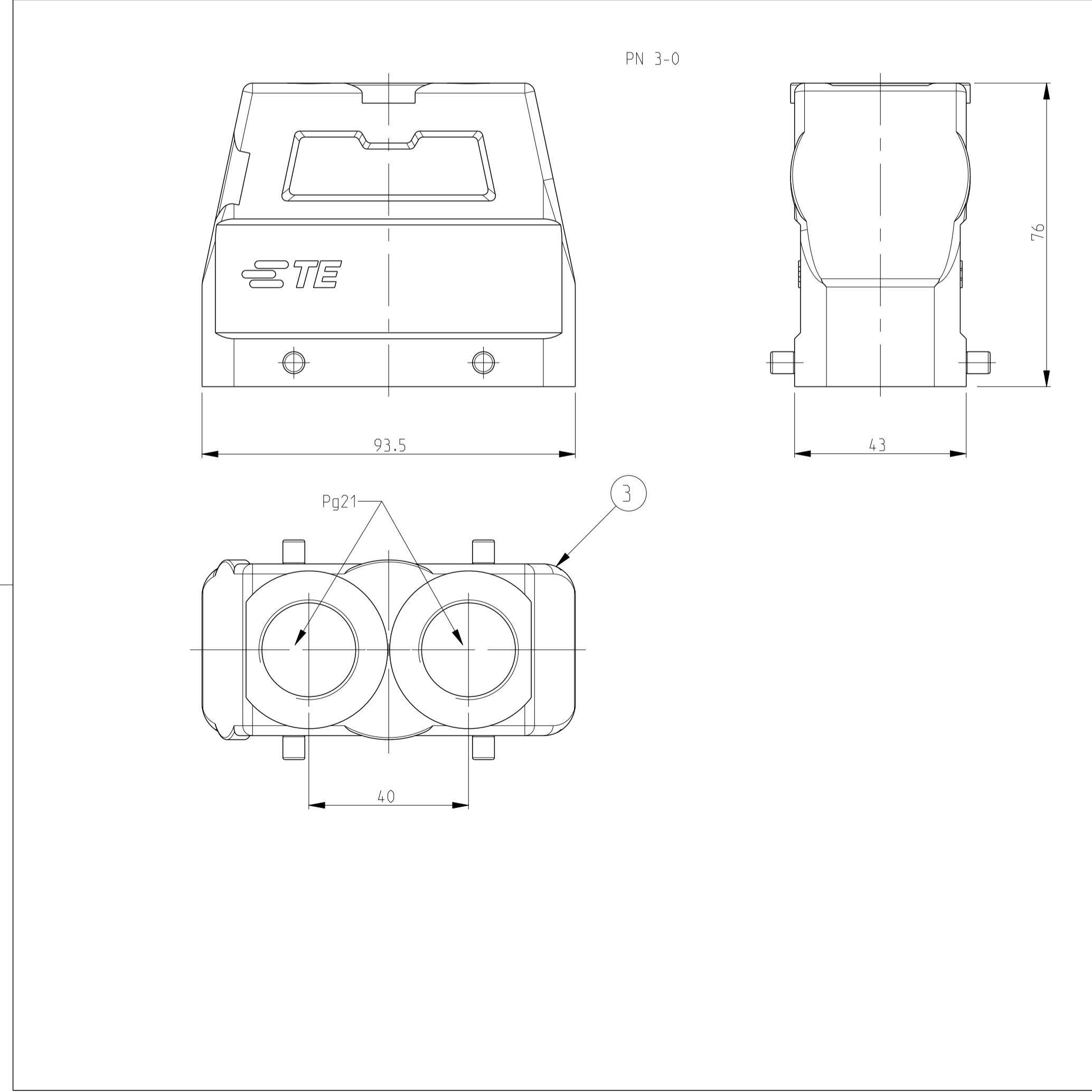
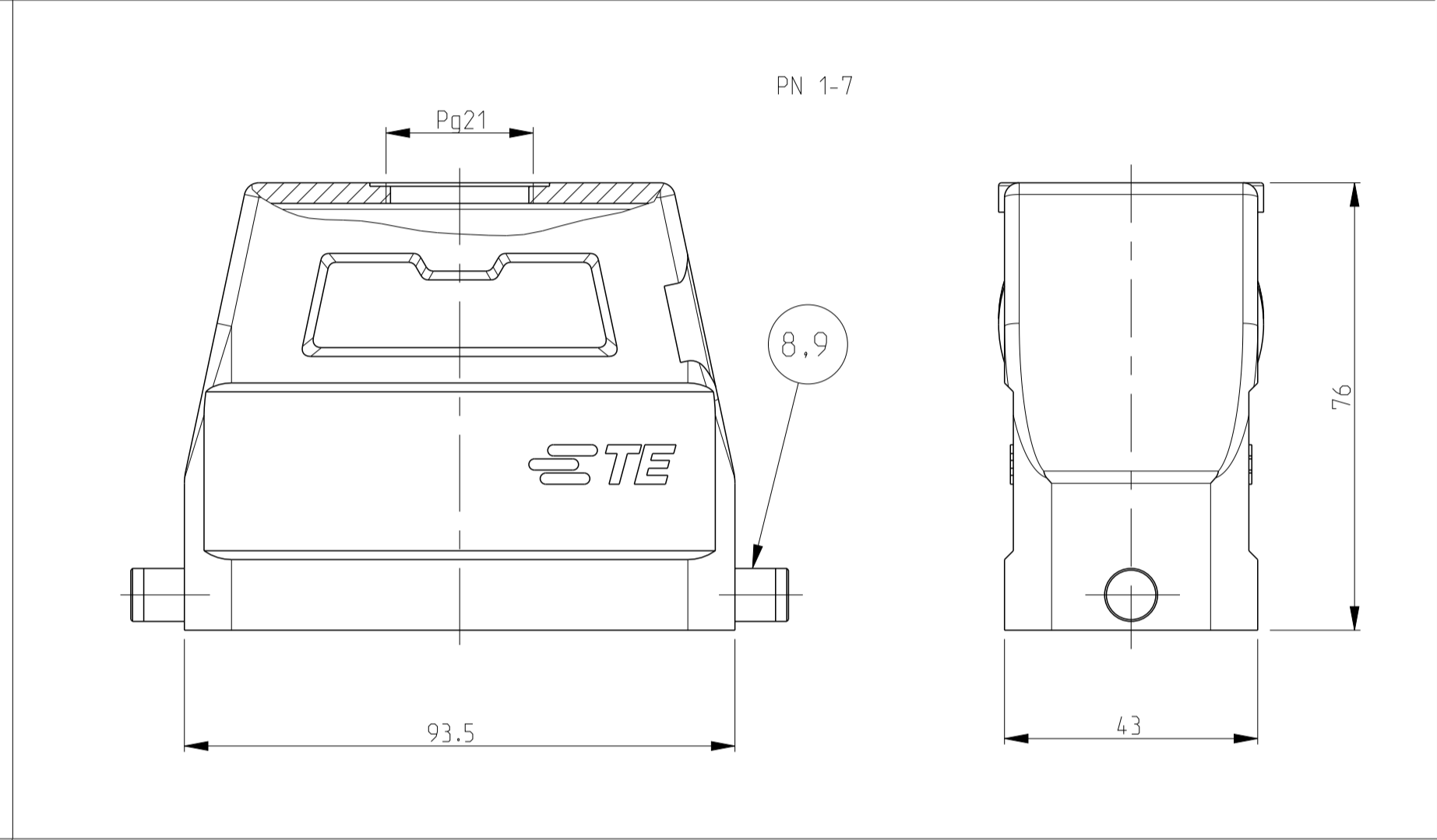
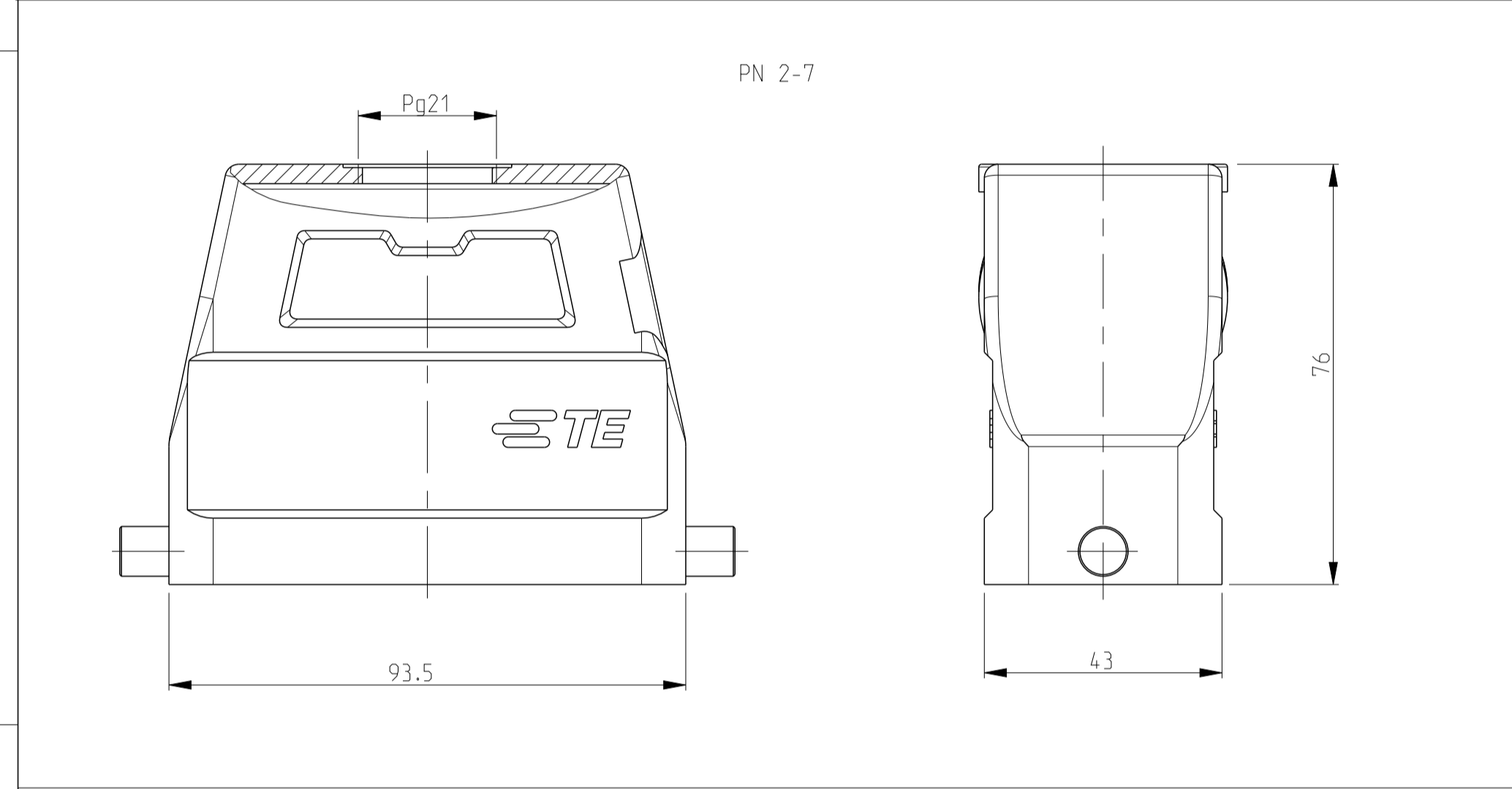
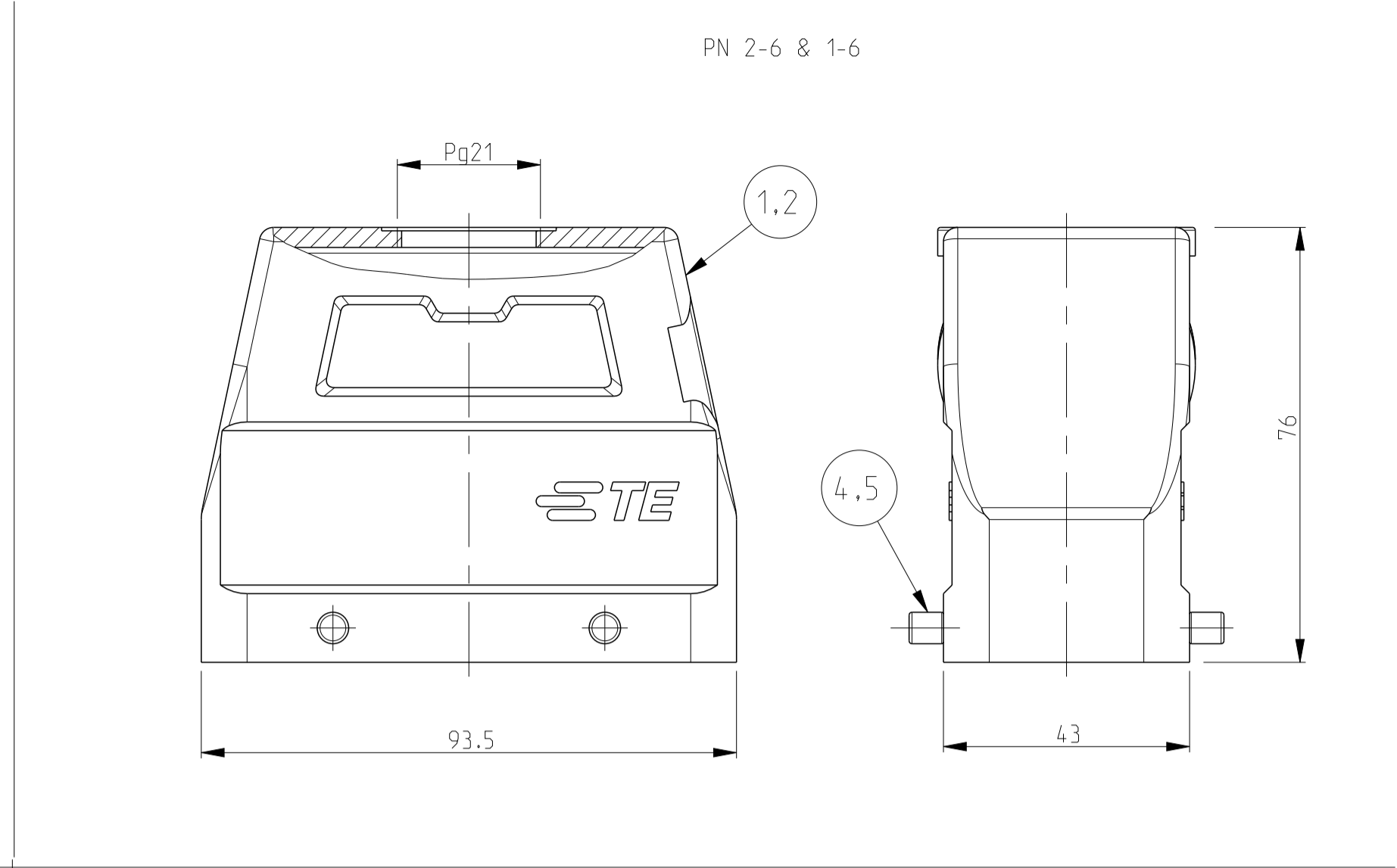
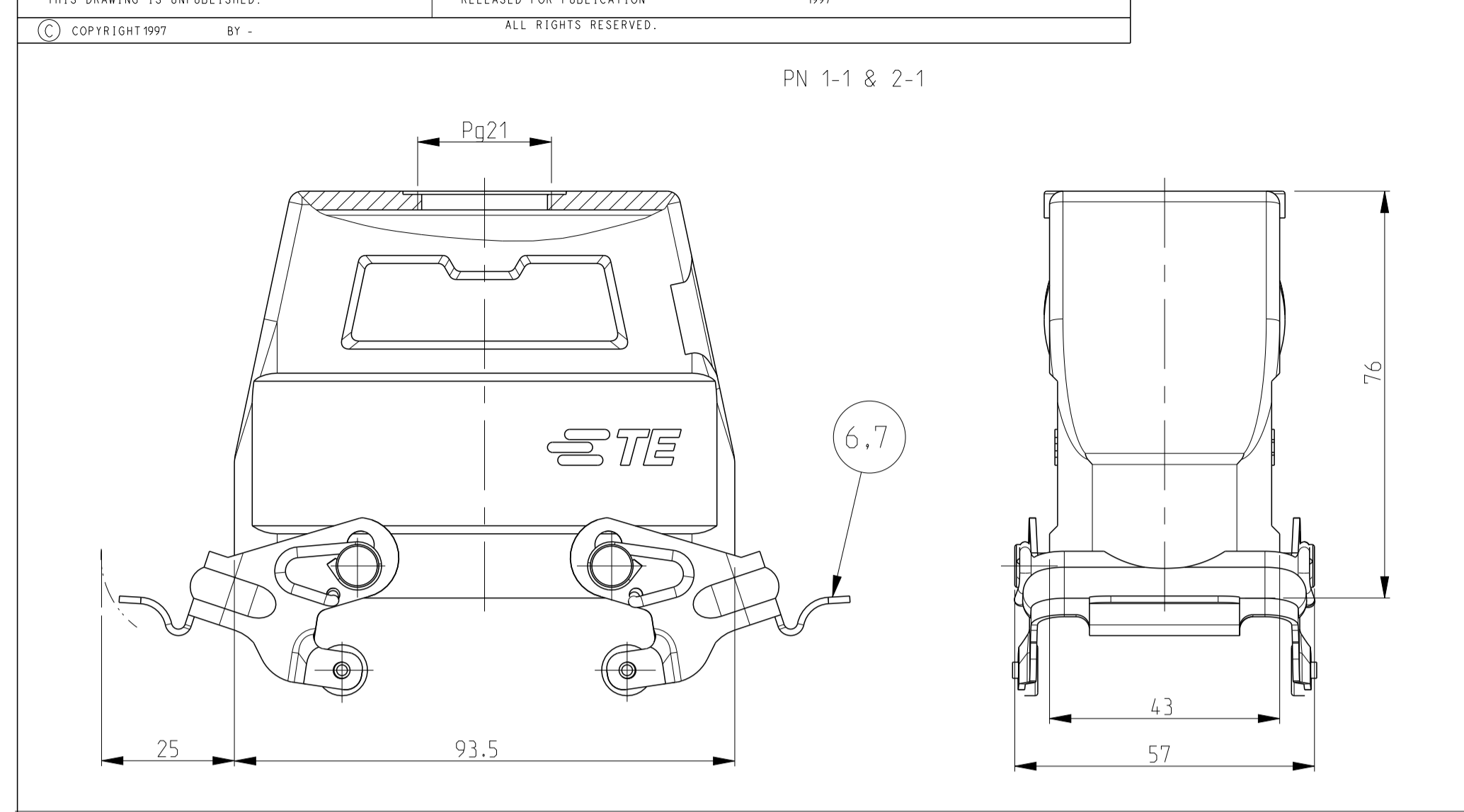


REVISIONS					
P	LTN	DESCRIPTION	DATE	DWN	APVD
A3		REVISED PER ECR-16-016768	17AUG2017	AP	MKO
A4		ECR-17-014011	27MAR2018	SG	MKO



NOTES

- 1 Material: Housing: aluminium diecasting alloy
Seals: Neoprene
- 2 Surface: - varnish-grey
Aluminium oxide+
Varnish black
- 3 Packaging quantity: 5 pieces

PN 3-0
SCALE 1:2

PN 2-7
SCALE 1:2

PN 1-7
SCALE 1:2

PN 1-1 & 2-1
SCALE 1:2

PN 1-6 & 2-6
SCALE 1:2

	OBSELETE		OBSELETE									
	2				LB-Clip bolt	Stainless steel	-	-	9	-		
	2				LB-Clip bolt	Steel	Zinc plated	Blue	8	-		
		2			VS-Locking clip	Stainless steel	-	-	7	-		
			2		VS-Locking clip	Steel	Zinc plated	Blue	6	-		
				4	VS-Clip bolt	Stainless steel	-	-	5	-		
	4			4	VS-Clip bolt	Steel	Zinc plated	Blue	4	-		
					Hood HD.40.Pg.1.21	Aluminium	-	Grey	3	Special		
		1			Hood HD.40.Pg.1.21	Aluminium	Aluminium oxide	Black	2	-		
			1		Hood HD.40.Pg.1.21	Aluminium	-	Grey	1	-		
3-0	2-7	1-7	2-1	1-1	2-6	1-6	DESCRIPTION	MATERIAL	SURFACE	COLOR	ITEM NO	NOTES
ORDERING TEXT												
HD.40.Sto 1.21.G												
HD-K.40.Sto.1.21.G												
HD.40.Sto-VS-1.21.G												
HD-K40.Sto-VS-1.21.G												
HD.40.Sto-GR-1.21.G												
HD-K40.Sto-GR-1.21.G												
HD.40.Sto-2.21-50												

THIS DRAWING IS A CONTROLLED DOCUMENT.

DIMENSIONS: mm

TOLERANCES UNLESS OTHERWISE SPECIFIED:

0 TO 30 mm ± 0.15

30 TO 125 mm ± 0.2

125 TO 400 mm ± 0.3

400 TO 630 mm ± 0.4

630 TO 1000 mm ± 0.5

ANGLES FINISH

DWN Schneider 12.04.99

CHK Schneider 12.04.99

APVD

PRODUCT SPEC

APPLICATION SPEC

WEIGHT

CUSTOMER DRAWING

TE Connectivity

NAME HOOD HD.40.STO.1.21

SIZE A1 CAGE CODE 00779 DRAWING NO C=1102570

SCALE 1:1 SHEET 1 OF 1 REV A4