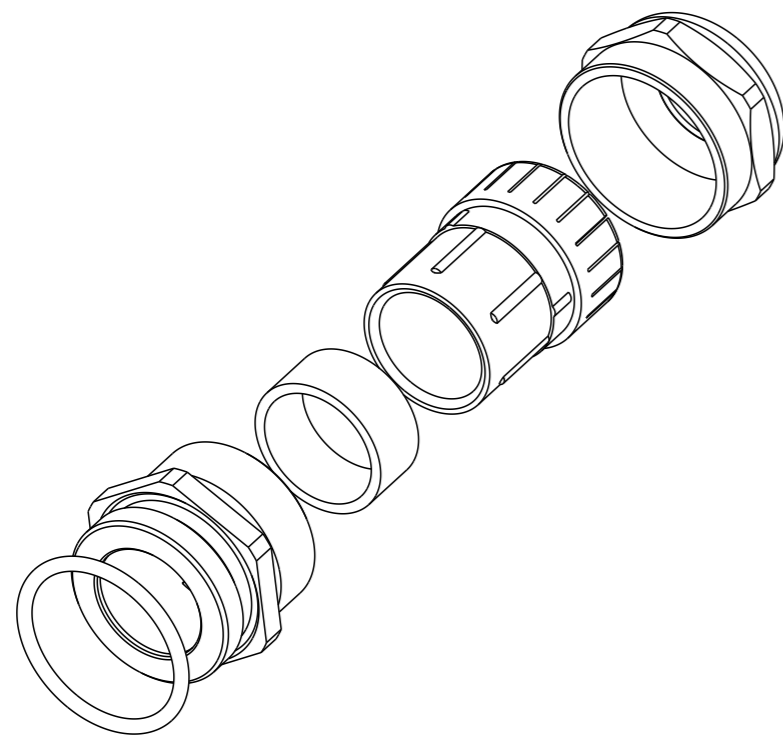
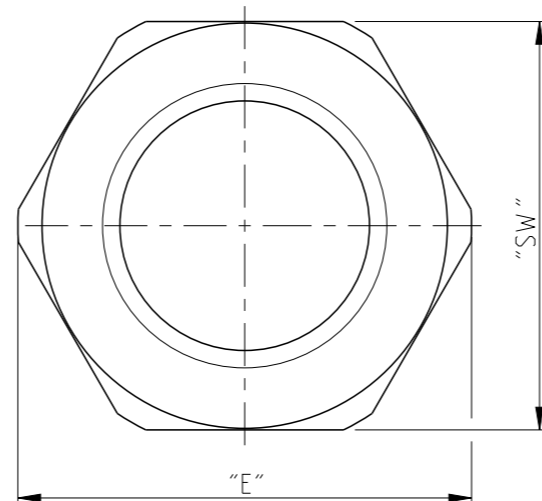
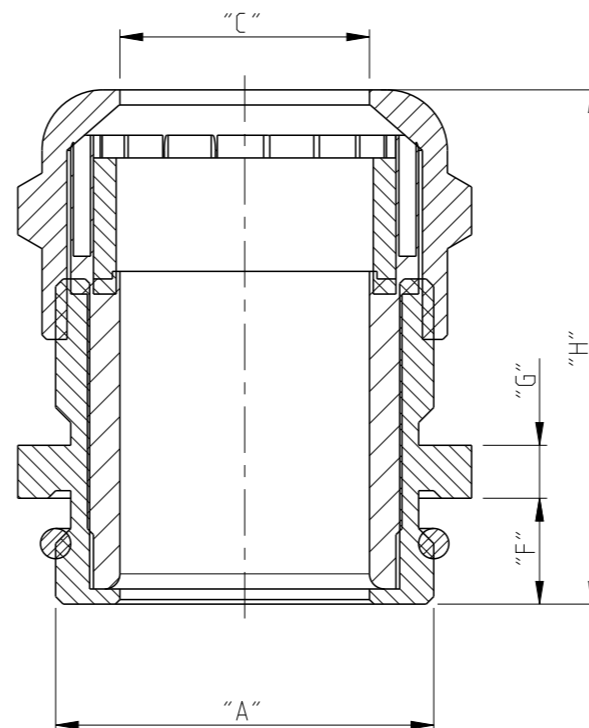


REVISIONS

P	LTR	DESCRIPTION	DATE	DWN	APVD
A2		ECR-08-019210	19OCT2009	AR	ST
A3		ECR-17-014051	04APR2018	SG	MKO



SCALE 1:1



M50	M50x1.5	∅35.3	∅60	9	4.5	47.5	55
M40	M40x1.5	∅27.3	∅46	8	4.5	41	43
M32	M32x1.5	∅21.3	∅36	8	4.5	38	34
M25	M25x1.5	∅16.3	∅30	7	3.5	36.5	27
M20	M20x1.5	∅13.3	∅24	6	3.5	33	22
M16	M16x1.5	∅9.1	∅19	5	3	29	17
SIZE	A	C	E	F	G	H max.	SW

DIMENSIONS

THIS DRAWING IS A CONTROLLED DOCUMENT.

DWN Schneider 20.02.2002

CHK Braun 20.02.2002

APVD -

PRODUCT SPEC -

APPLICATION SPEC -

WEIGHT -

CUSTOMER DRAWING



TE Connectivity

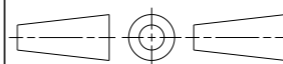
NAME
CABLE GLAND ASSY
SERIES EMV, METRIC

SIZE A3 CAGE CODE 00779 DRAWING NO. C-1102772

SCALE 2:1 SHEET 1 OF 1 REV A3

DIMENSIONS:

mm



TOLERANCES UNLESS OTHERWISE SPECIFIED:

- 0 PLC ± n.ISO 8015
- 1 PLC ± n.ISO 2768-MH-E
- 2 PLC ± n.DIN 16901-120
- 3 PLC ±
- 4 PLC ±
- ANGLES ±

MATERIAL -

material_2

FINISH -

finish_spec_2