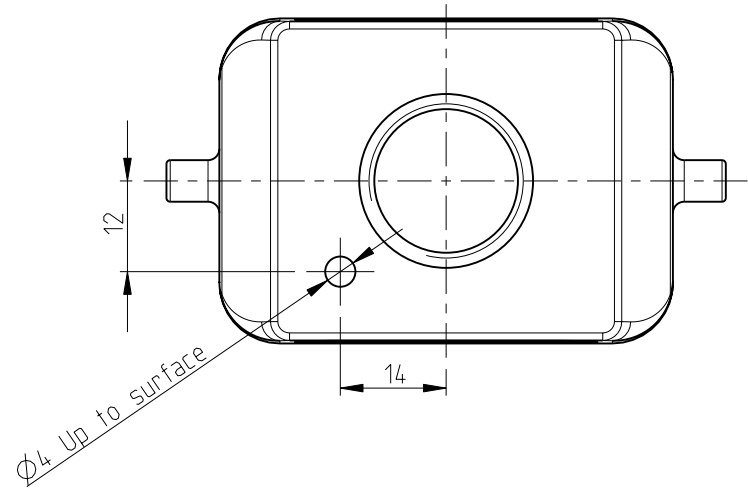
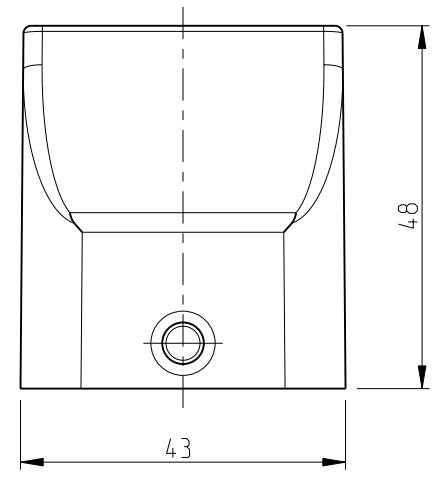
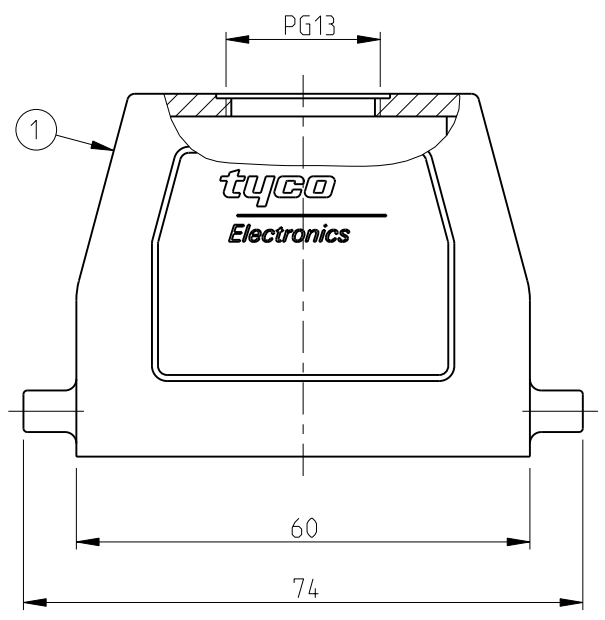


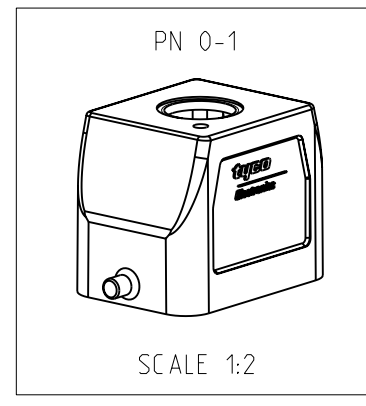
THIS DRAWING IS UNPUBLISHED. RELEASED FOR PUBLICATION
 © COPYRIGHT 19 BY TYCO ELECTRONICS CORPORATION. ALL RIGHTS RESERVED.

LOC	DIST	REVISIONS				
P	LTR	DESCRIPTION	DATE	DWN	APVD	
A1	-	A2	Released as per ECR-08-005944	06.Mar.2008	SP	TS

PN 0-1



- NOTES.
- 1 Material:Housing:Aluminium Diecasting Alloy
 - 2 Surface-Powder Varnish Grey
-Aluminium Oxide +
Varnish Black
 - 3 Varnish on the inside not necessary
 - 4 Packaging
Quantity 5 Pieces in a box



0-1	DESCRIPTION	MATERIAL	SURFACE	COLOR	ITEM NO	REMARKS
1	HB-K Hood	Aluminium	Aluminium oxide	Black	1	-

HB-K.6.STO.1.13.G

<small>THIS DRAWING IS A CONTROLLED DOCUMENT FOR TYCO ELECTRONICS CORPORATION IT IS SUBJECT TO CHANGE AND THE CONTROLLING ENGINEERING ORGANIZATION SHOULD BE CONTACTED FOR THE LATEST REVISION.</small>		DWN	Schneider	27.11.02	Tyco Electronics.AMP.GmbH D-53819,Neunkirchen,Germany	
DIMENSIONS: mm		CHK	Schweiger	27.11.02	NAME	
		APVD	-	-	Hood HB-K.6.STO.1.13.G	
TOLERANCES UNLESS OTHERWISE SPECIFIED: <small>n-ISO 8015: n-ISO 2768-mH-E: n-DIN 16901-120</small>		PRODUCT SPEC	-	-	RESTRICTED TO	
0 PLC ± 1 PLC ± 2 PLC ± 3 PLC ± 4 PLC ± ANGLES ±		APPLICATION SPEC	-	SIZE	CAGE CODE	DRAWING NO
MATERIAL -		WEIGHT	-	A3	00779	©=1102888
FINISH		CUSTOMER DRAWING		SCALE	1:1	SHEET 1 OF 1
						REV A2