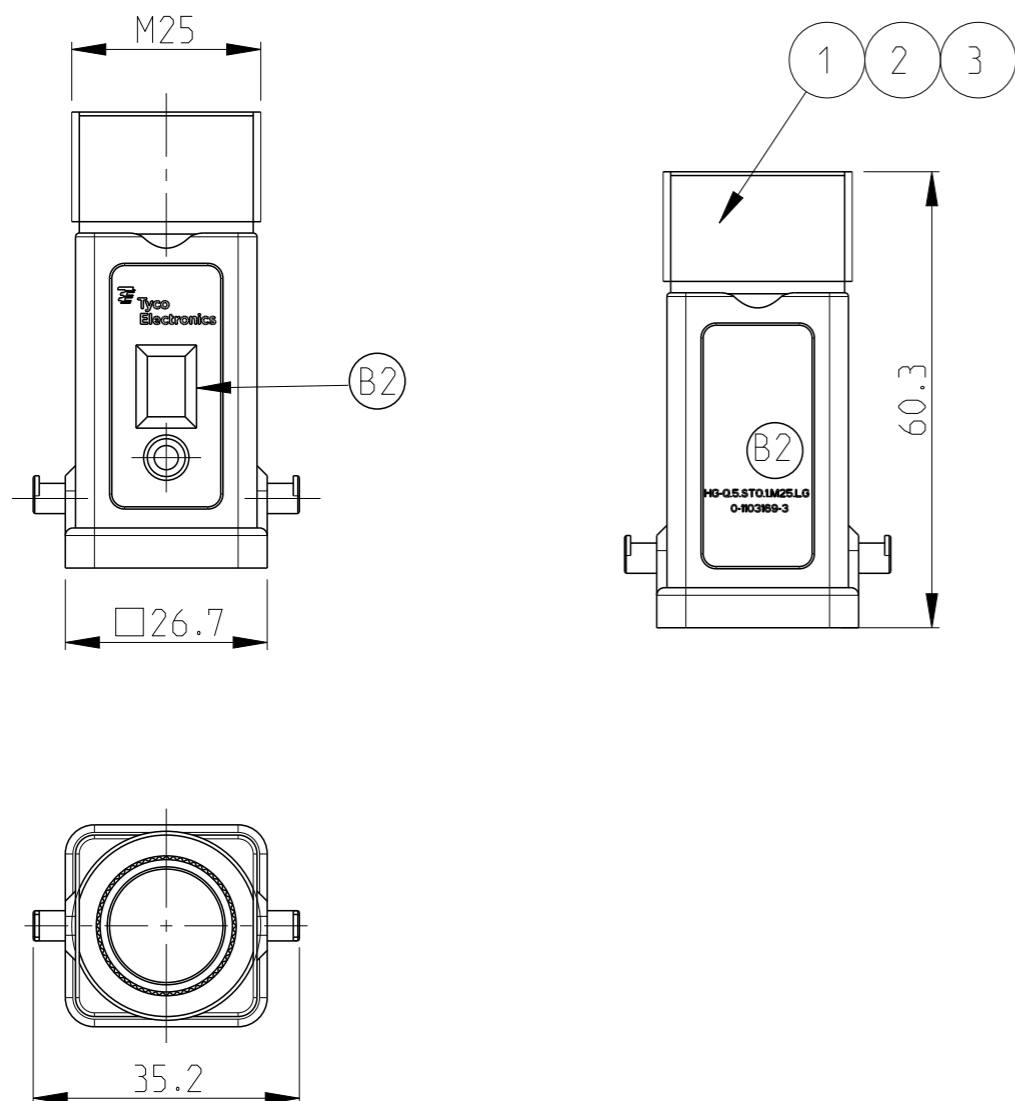


REVISIONS

P	LTR	DESCRIPTION	DATE	DWN	APVD
B2		DETAIL ADDED ECR-08-031345	10DEC2008	SR	ST
B3		PN 0-3 added ECR-08-009172	04FEB2009	SR	BM
B4		ECR-09-025958	27NOV2009	GW	BR
B5		ECR-16-015318	17AUG2017	GR	MKO



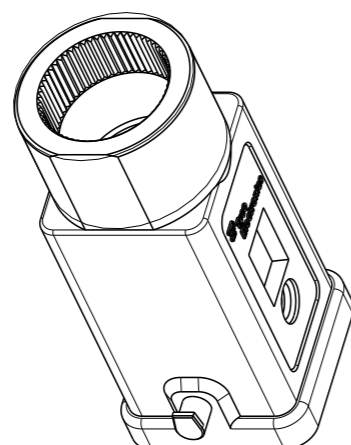
Notes

- 1 SUITABLE INSERT: SERIES HA.3/4; HD.7/8; HN.D.7/8; HE-Q.5
- 2 CABLE FITTINGS: CABLE: min./max.Ø: 4.0 - 15.5 MM
CUSTOMER DRAWING: 1103074
- 3 STANDARDS:
DIN EN 61984, DIN EN 60664-1
- 4 TOLERANCES UNLESS OTHERWISE SPECIFIED:
n. ISO 8015
n. ISO 2768-mH-E
n. DIN 16901
- 5 PACKAGING: 0-1, 0-2
10 SETS IN A CARTON, PRE-MOUNTED

PACKAGING: 0-3
500 PARTS IN A BAG
ONE BAG IN A CARTON

OBSOLETE

0-3	0-2	0-1	DESCRIPTION	MATERIAL	COLOR	NOTE	ITEM NO. POS.
			HOOD	PA 66	LIGHT-GREY		3
	1		HOOD	PBT-GF25	BLACK		2
		1	HOOD	PBT-GF30	LIGHT-GREY		1
			HG-Q.5.STO.1.M25.Z				
			HG-Q.5.STO.1.M25.Z.BL				
			HG-Q.5.STO.1.M25.LG				



THIS DRAWING IS A CONTROLLED DOCUMENT.

DWN M. SCHWEIGER 23 JUN 2008
CHK TH. SCHNURPFIL 23.06.08
APVD -

STE TE Connectivity

NAME HOOD
HG-Q.5.STO.1.M25.Z

DIMENSIONS: mm

TOLERANCES UNLESS OTHERWISE SPECIFIED:

0 PLC	±
1 PLC	±
2 PLC	±
3 PLC	±
4 PLC	±
ANGLES	±1°

MATERIAL - FINISH -

PRODUCT SPEC - APPLICATION SPEC -

WEIGHT 96g

SIZE A3 CAGE CODE 00779 DRAWING NO C-1103169 RESTRICTED TO -

CUSTOMER DRAWING SCALE 1:1 SHEET 1 OF 1 REV B5