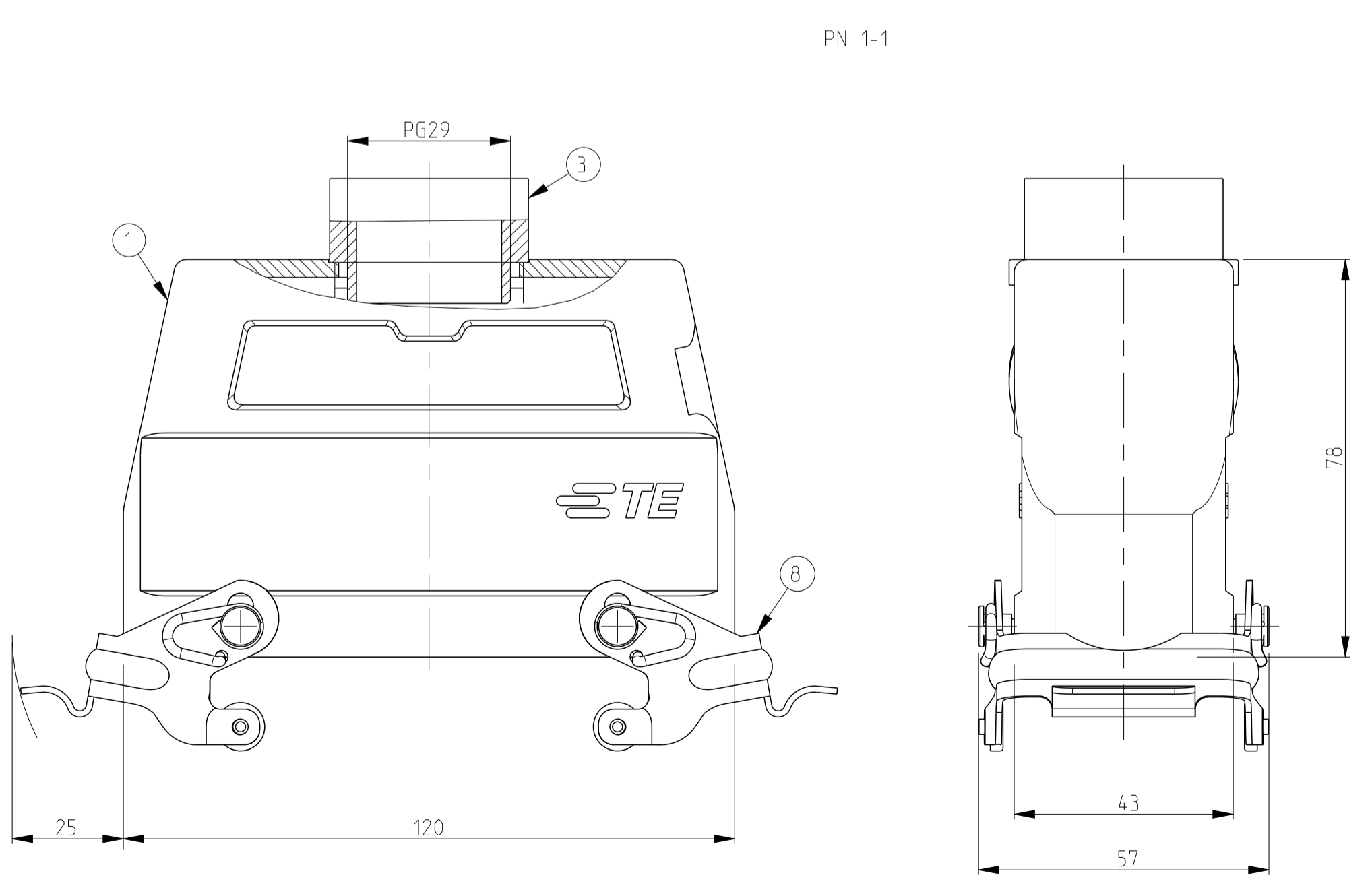
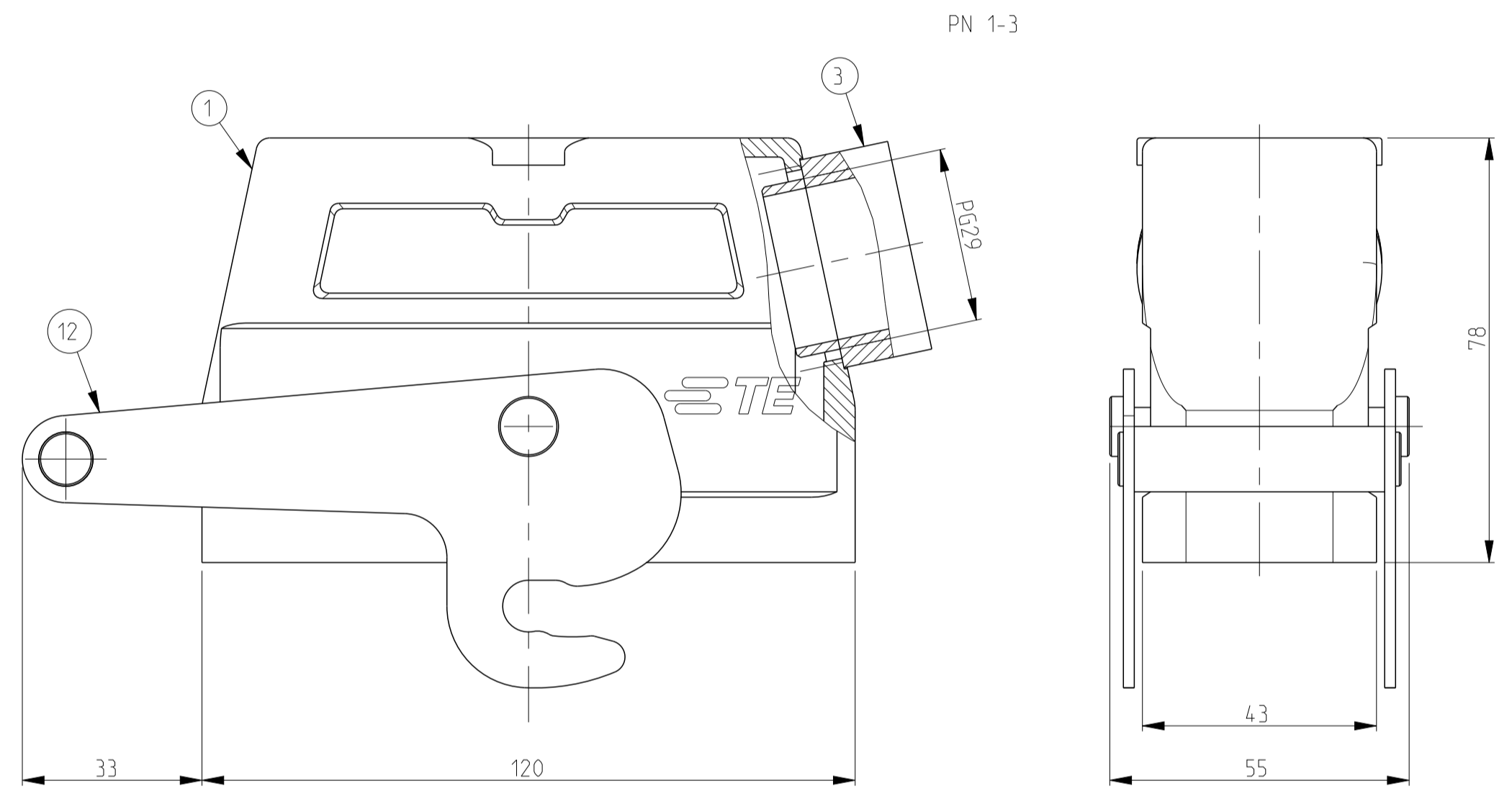
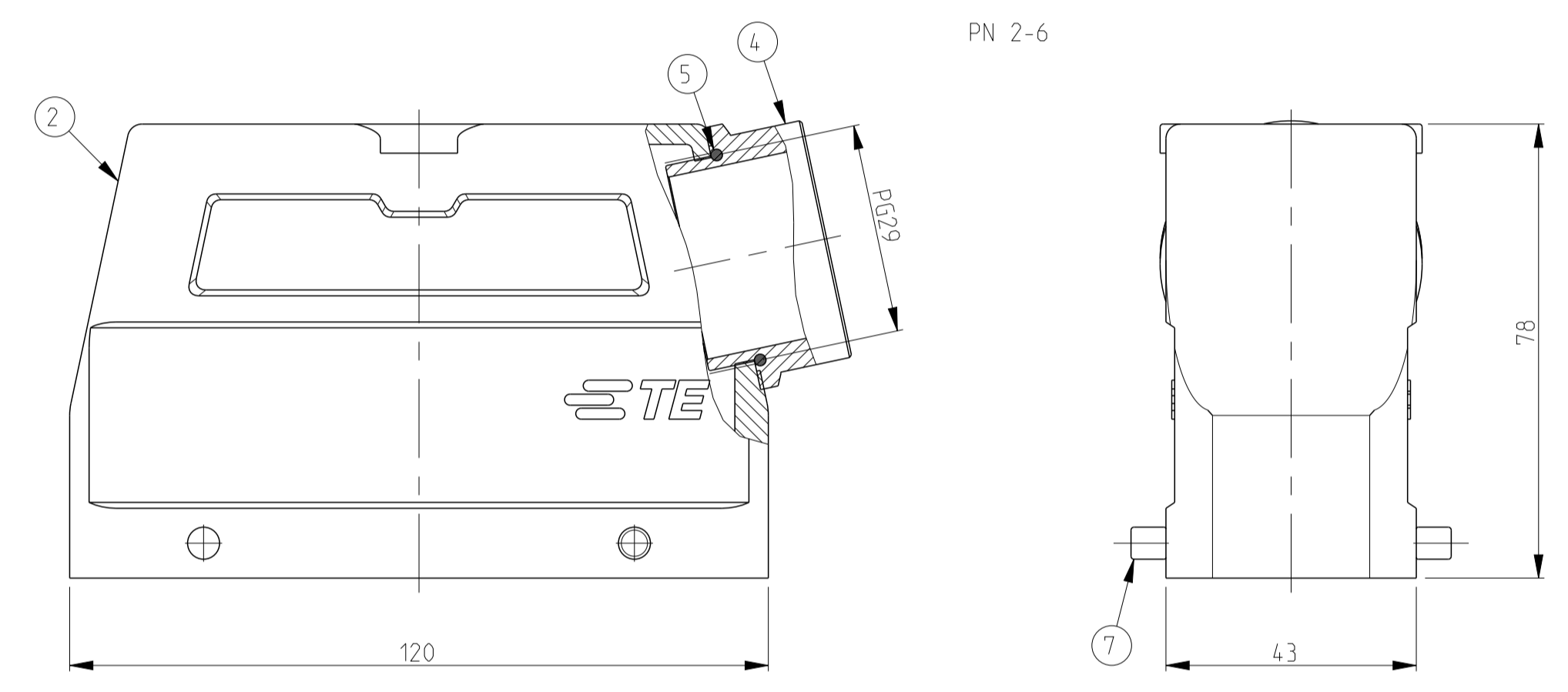
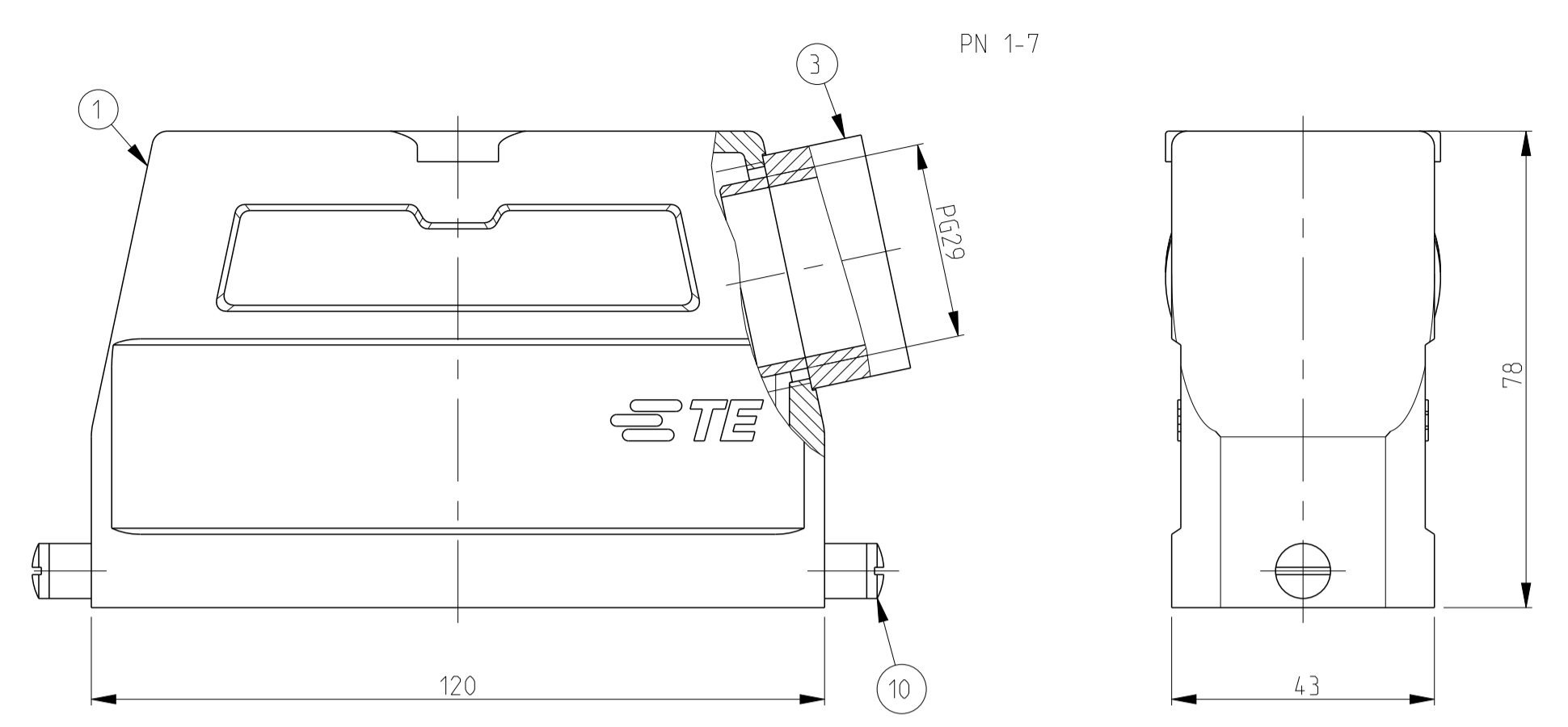
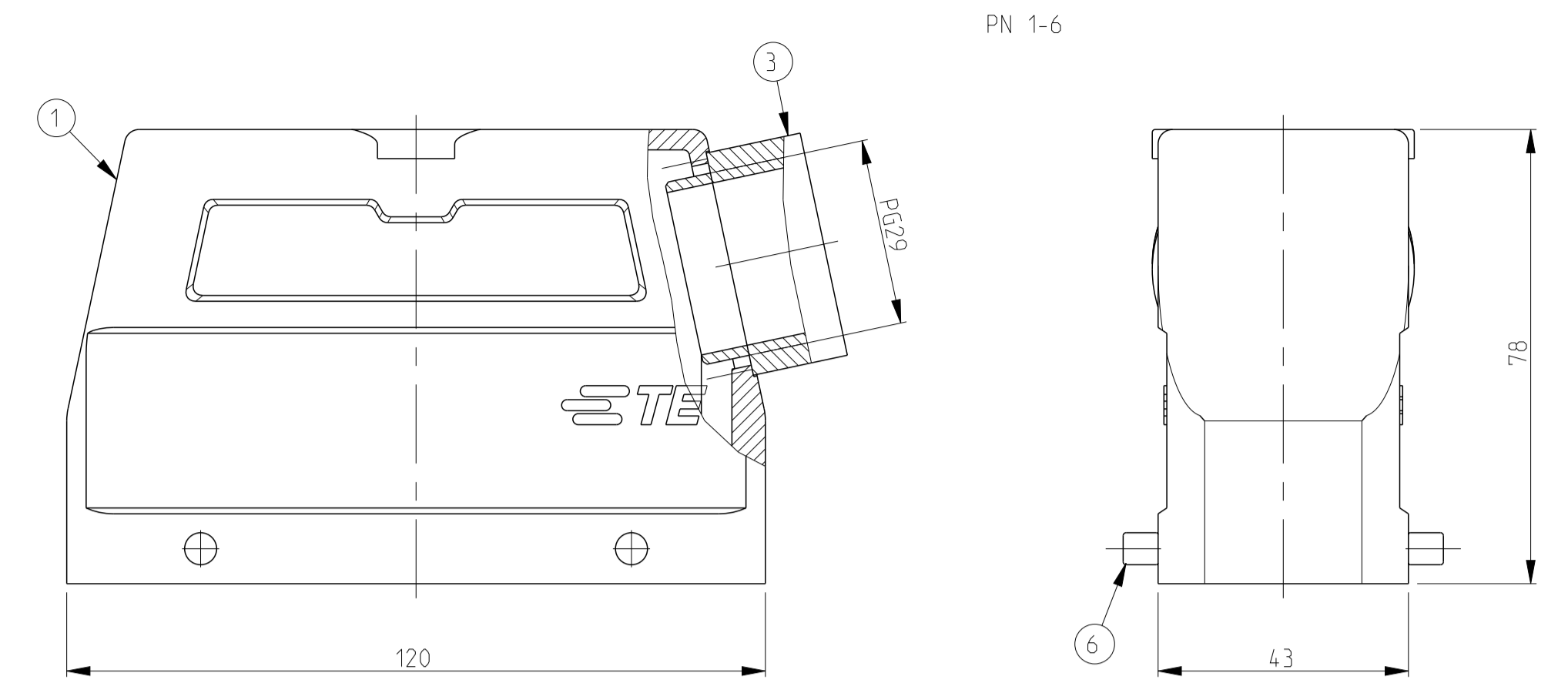
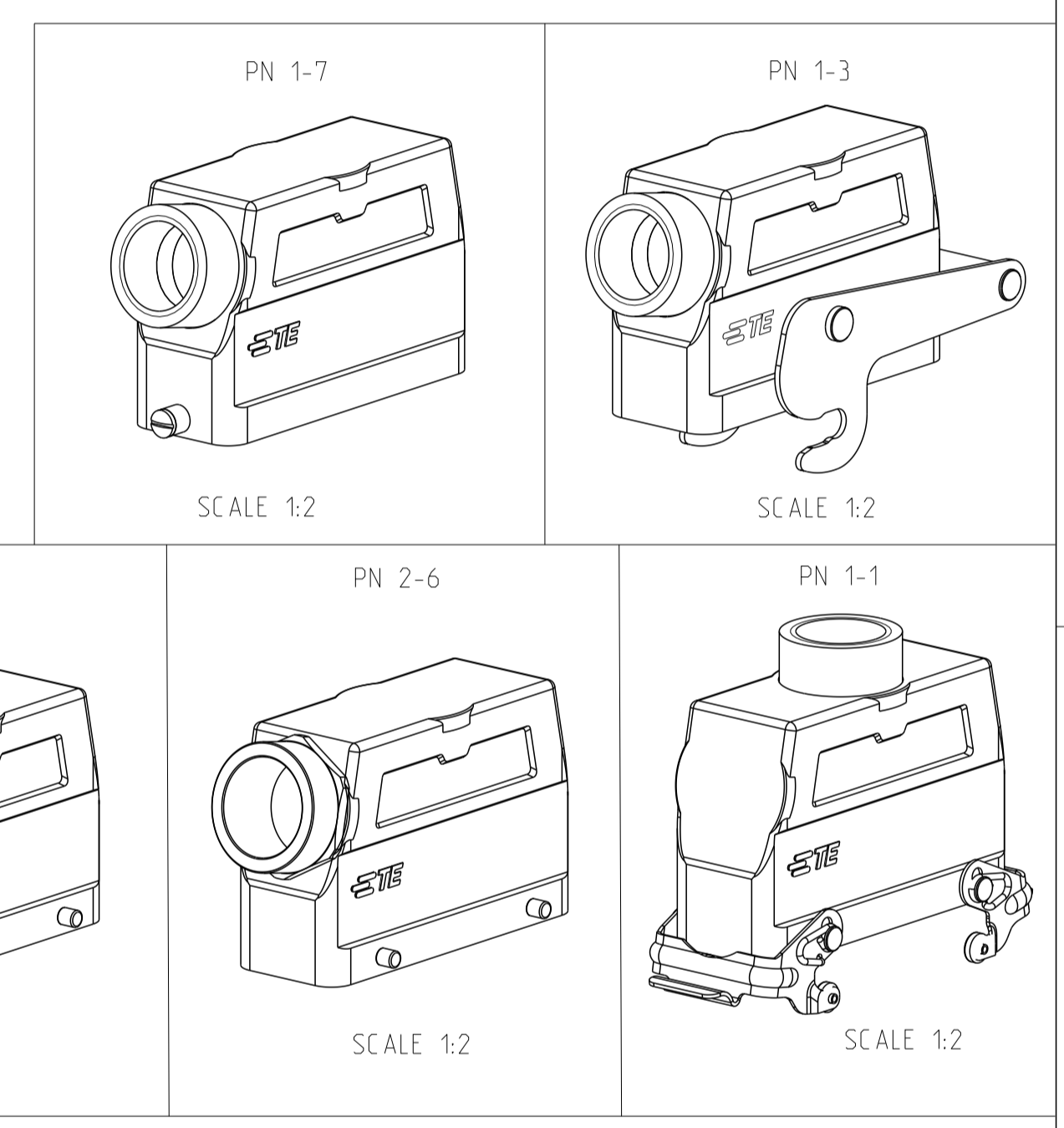


REVISIONS				
P.	LTM	DESCRIPTION	DATE	APVD
AB	ECR-17-014.011		27MAR2018	SG MKO



- NOTES.
- 1 Material:Housing:Aluminium Diecasting Alloy  
Seals:Neoprene
  - 2 Surface-Powder Varnish Grey  
-Aluminium Oxide +  
Varnish Black
  - 3 Varnish on the inside not necessary
  - 4 Packaging  
Quantity 5 Pieces in a box



QTY	DESCRIPTION	MATERIAL	SURFACE	COLOR	TEMP	REMARKS
1	ZB-Central clip	Stainless steel	-		13	
1	ZB-Central clip	Steel	Zinc plated	Blue	12	
1	LB-Clip bolt	Stainless steel	-		11	
2	LB-Clip bolt	Steel	Zinc plated	Blue	10	
2	VS-Side clip	Stainless steel	-		9	
2	VS-Side clip	Steel	Zinc plated	Blue	8	
4	VS-Clip bolt	Stainless steel	-		7	
4	VS-Clip bolt	Steel	Zinc plated	Blue	6	
1	O ring Pg29	Neoprene	-	Black	5	
1	Adaptor 6kt Pg29	Brass	Nickel plated		4	
1	Adaptor Pg29	Brass	Nickel plated		3	
1	Hood HD.64.Pg.1.29	Aluminium	Aluminium oxide	Black	2	
1	Hood HD.64.Pg.1.29	Aluminium	-	Grey	1	

THIS DRAWING IS A CONTROLLED DOCUMENT. DWN Gr-St 11.11.1997  
 CHK Krammen 02.06.98

STE TE Connectivity

NAME Hood  
 HD.64.STS.1.29.G

PRODUCT SPEC 108-74.001  
 108-74.003

APPLICATION SPEC 114-74.001  
 114-74.004

WEIGHT A1 00779 C=1103337

CUSTOMER DRAWING SCALE 1:1 SHEET 1 OF 1 REV AB