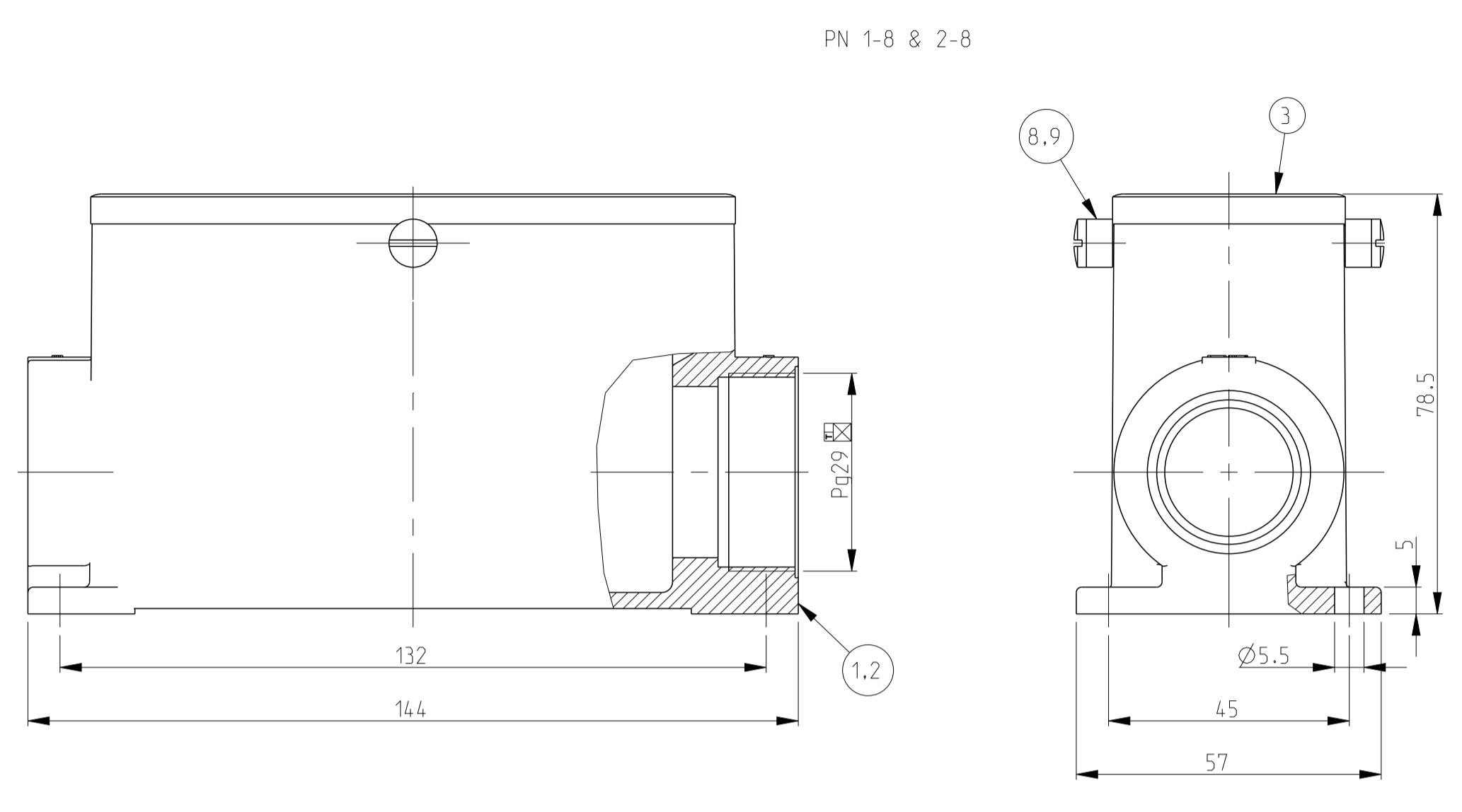
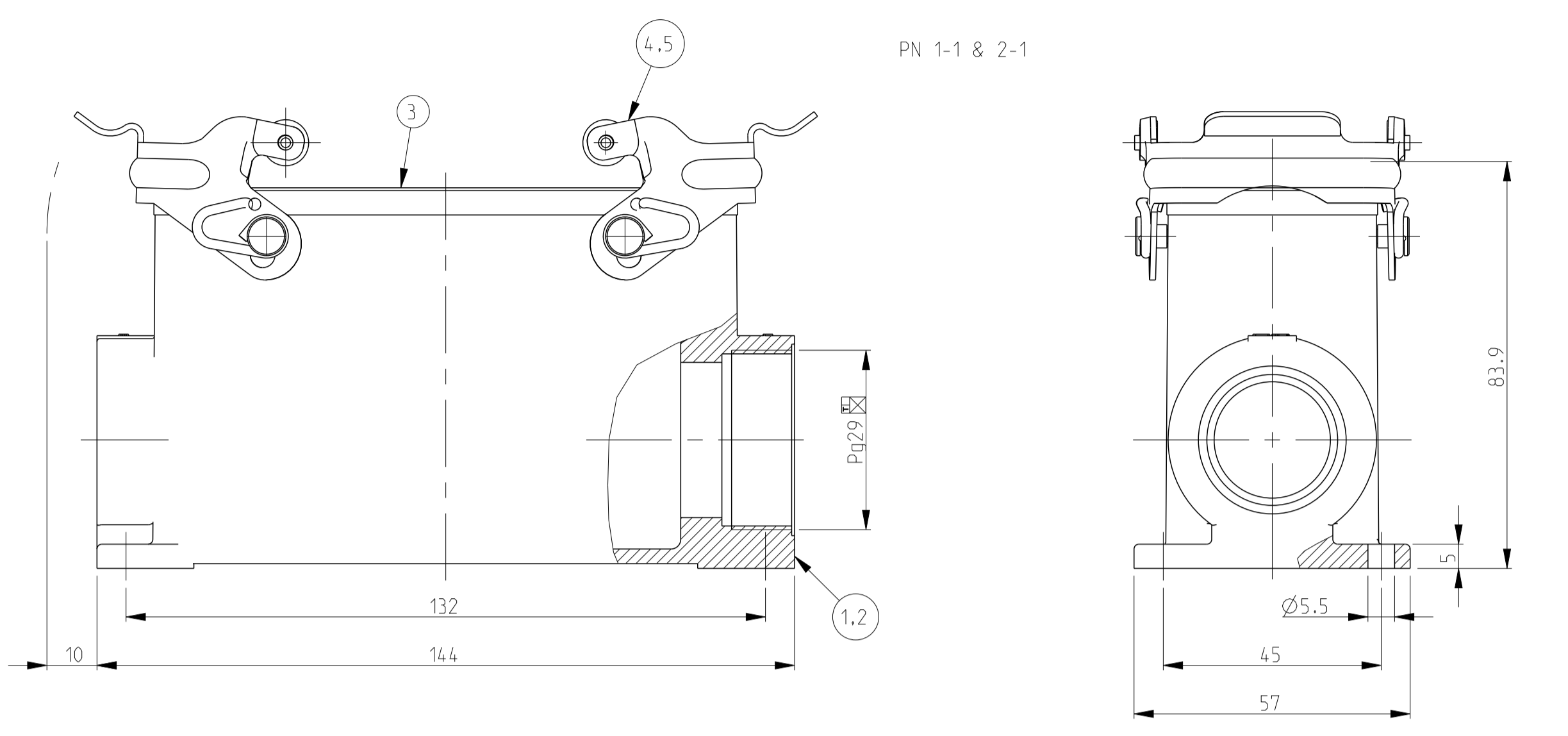
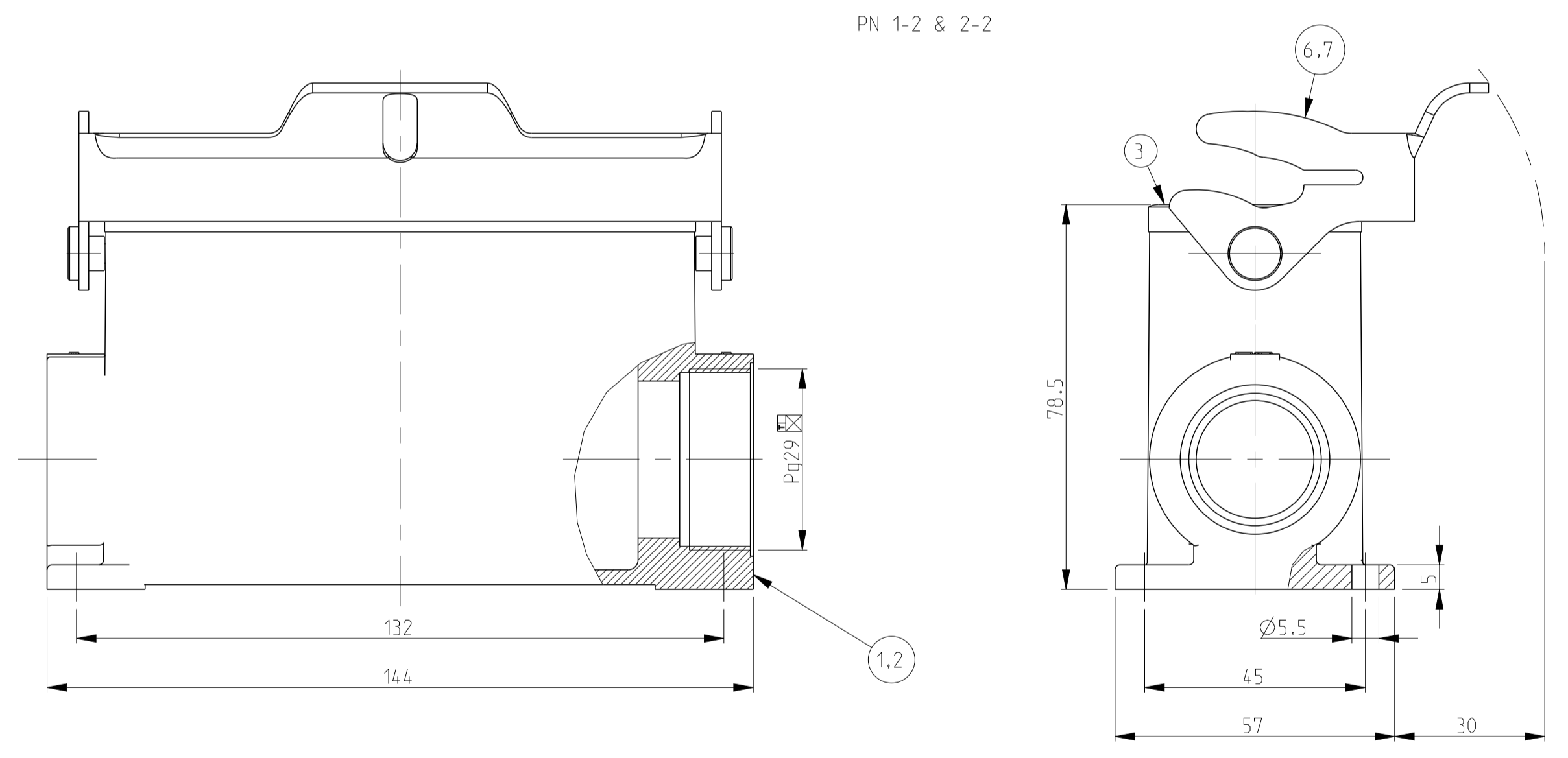
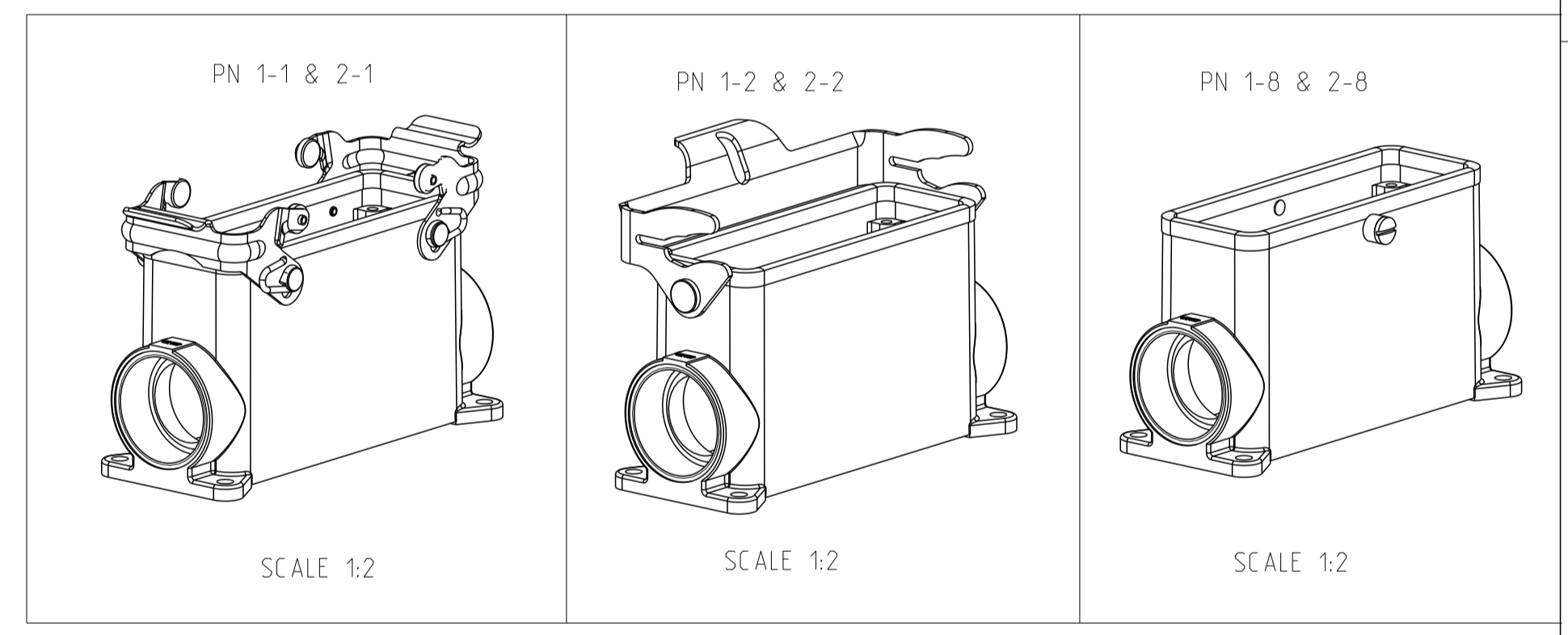


REVISIONS				
P	LTN	DESCRIPTION	DATE	APVD
A2		Released as per ECR-08-017219	09.July.2008	SP TS
A3		ECR-17-014.011	27MAR2018	SG MKO
A4		REVISED PER ECR-24-207461	10JUN2024	RK WR



- NOTES.
- Material:Housing:Aluminium Diecasting Alloy
Seals:Neoprene
 - Surface:Varnish grey
-Aluminium Oxide +Zinc plated
 - Varnish on the inside not necessary
 - Packaging
Quantity 5 Pieces in a box



QTY	DESCRIPTION	MATERIAL	SURFACE	COLOR	ITEM NO	REMARKS
2	ZB-Clip bolt	Stainless steel			9	
2	ZB-Clip bolt	Steel	Zinc plaetd	Blue	8	
1	LB-Side Clip	Stainless steel			7	
1	LB-Side Clip	Steel	Zinc plaetd	Blue	6	
2	VS-Locking Clip	Stainless steel			5	
2	VS-Locking Clip	Steel	Zinc plaetd	Blue	4	
1	Profile seat	Neoprene		Black	3	
1	Surface mounted housing side entry HD.64.Pg.1.29	Aluminium	Aluminium oxide	Black	2	
1	Surface mounted housing side entry HD.64.Pg.1.29	Aluminium		Grey	1	

THIS DRAWING IS A CONTROLLED DOCUMENT. DWN: Schneider 30.09.03
 CHK: Schweiger 30.09.03

TE Connectivity

NAME: Surface mounted housing HD.64.1.29.Z

SIZE: A1 CAGE CODE: 00779 DRAWING NO: 1103350

SCALE: 1:1 SHEET: 1 OF 1 REV: A4