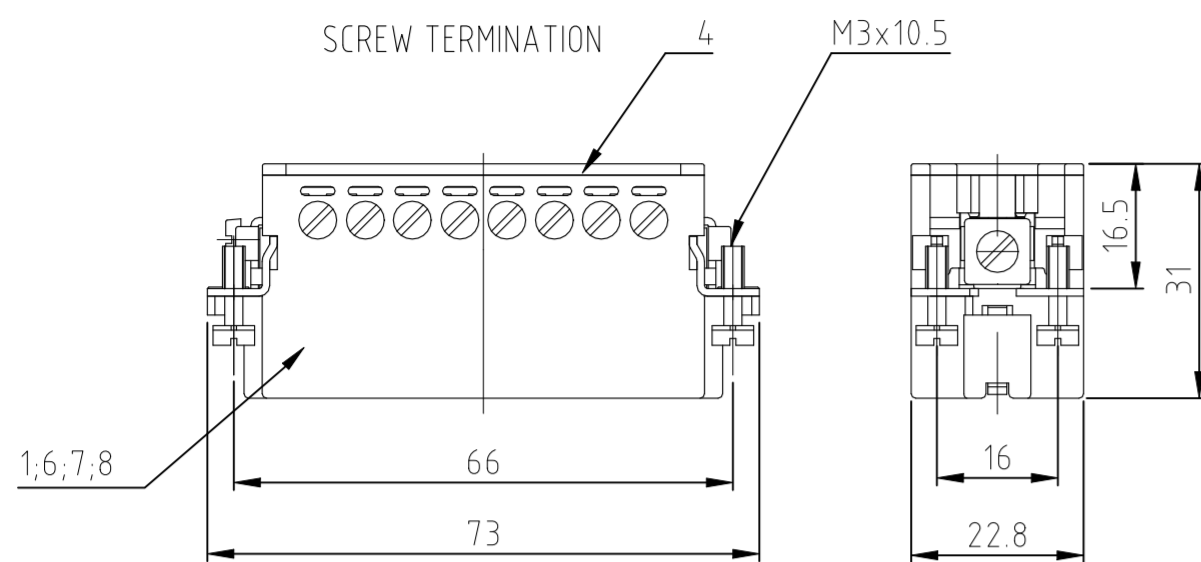
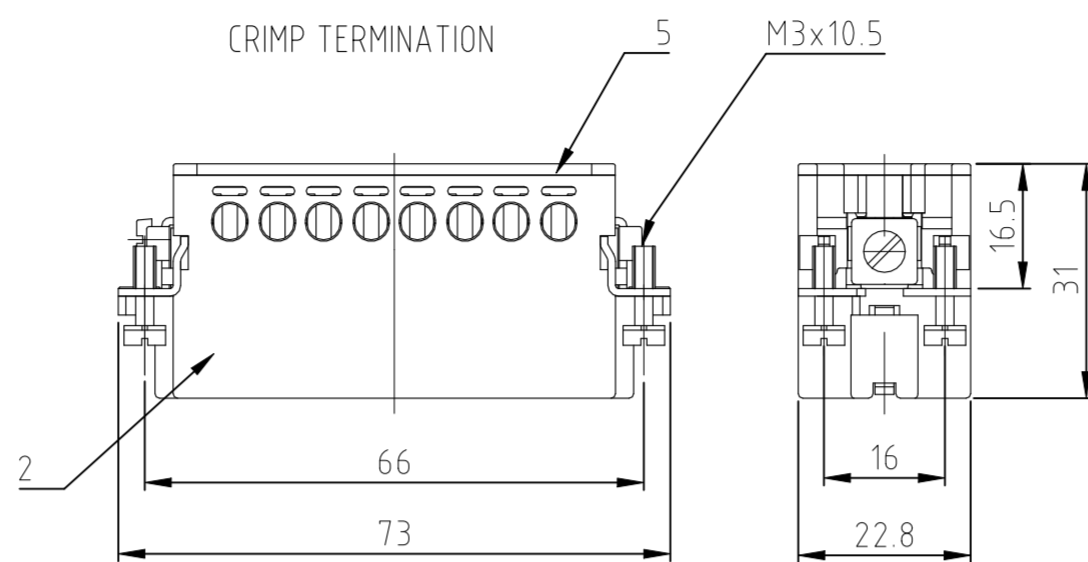
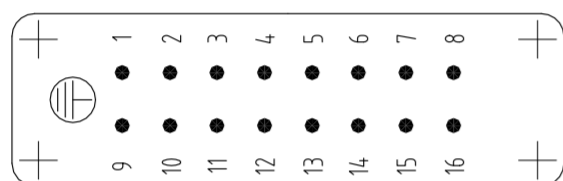


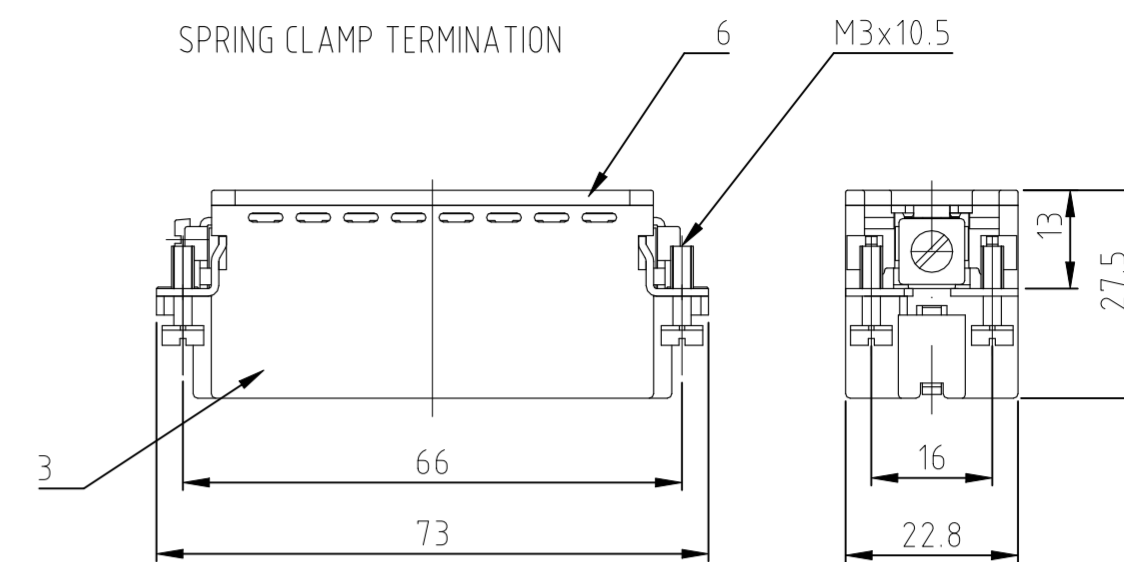
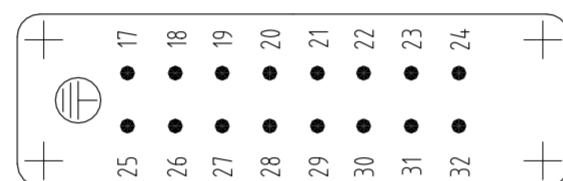
REVISIONS				
P	LTR	DESCRIPTION	DATE	APVD
	D7	ECR-21-123577	08JUL2022	RK JB



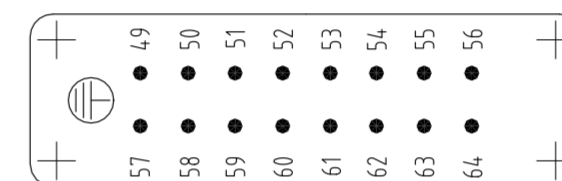
Contact arrangement / view from termination side



Contact arrangement / view from termination side

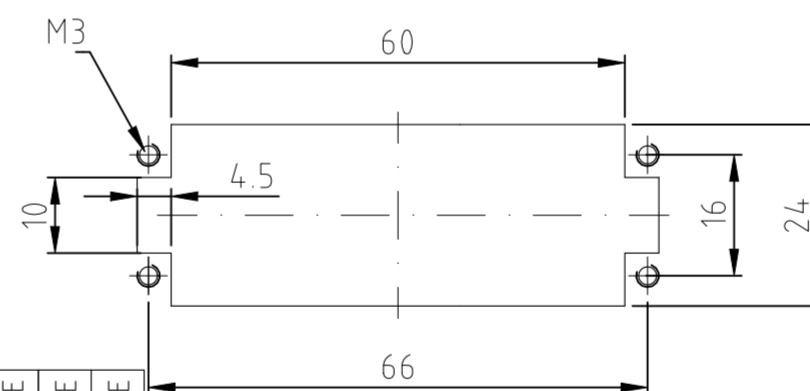


Contact arrangement / view from termination side

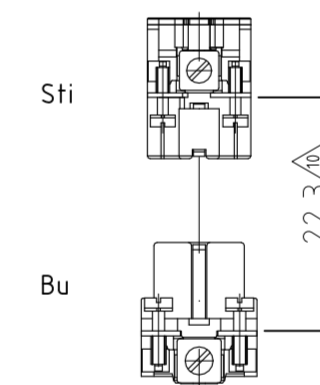


- NOTES:**
- 1 SUITABLE CRIMP CONTACTS: SERIES HE/HA  
OUTER DIMENSIONS OF INSULATION: MAX. Ø3,2 MM
  - 2 SUITABLE HOOD SIZE 5; 7; 9; 11: SERIES HA; HD  
SUITABLE INSERTION AND EXTRACTION TOOL:  
SCREWDRIVER 0,5x3 DIN 5264
  - 3 Strip lenght: Screw conection 10mm  
Spring clamp conection 10mm Crimp conection 7.5mm
  - 4 STANDARDS:  
DIN EN 61984; DIN EN 60664-1
  - 5 PACKAGING:  
5 SETS IN A CARTON, PRE-MOUNTED
  - 6 SPECIAL PACKAGING: Krauss-Maffei  
PACKAGING UNIT: 300 PIECES
  - 7 SPECIAL PACKAGING: Krauss-Maffei  
PACKAGING UNIT: 150 PIECES
  - 8 SPECIAL PACKAGING: AIS  
PACKAGING UNIT: 250 PIECES
  - 9 SPECIAL PACKAGING: WIELAND  
PACKAGING UNIT: 100 PIECES
  - 10 SEE TE CONNECTIVITY QUALITYMANAGEMENT PROCEDURE NO. 1.12

Panel cut-out for contact insert when used without housing



Assembling instruction



DISTANCE FOR SAFETY CONTACT MARKING MAX. 24 mm

1-3	1-2	1-0	0-4	0-7	0-6	0-5	2-9	1-9	7-9	7-8	1-8	2-8	1-7	7-7	1-1	2-3	1-1	DESCRIPTION / BENENNUNG	MATERIAL	COLOR / FARBE	ITEM NO. POS.	REMARKS / BEMERKUNGEN
				1														Pin insert screw	PBT	light beige	8	with stainless steel-fixing screw
					1													Pin insert screw	PBT	light beige	7	with stainless steel-fixing screw
						1												Pin insert screw	PBT	light beige	6	with AU contact
							1				1		1					Cover	PBT	light beige	5	
								1										Cover	PBT	light beige	4	
1	1	1	1	1	1	1	1	1			1					1		Cover	PBT	light beige	3	
									1	1								pin insert spring clamp	PBT	light beige	2	
											1				1			pin insert crimp/screw	PBT	light beige	1	

HA-16.Sti.S.B1-16.WIE	HA-16.Sti.S.B1-16.AIS	HA-16.Sti.S.B17-32.KM	HA-16.Sti.S.B1-16.KM	HA-16.Sti.S.VA.B1-16	HA-16.Sti.S.VA.B17-32	HA-16.Sti.S.AU.B1-16	HA-16.Sti.S.B 49-64	HA-16.Sti.S.B 49-64	HA-16.Sti.S.C.B 49-64	HA-16.Sti.S.C.B 33-48	HA-16.Sti.S.B 33-48	HA-16.Sti.S.C.B 33-48	HA-16.Sti.S.B 17-32	HA-16.Sti.S.C.B 17-32	HA-16.Sti.S.C.B 17-32	HA-16.Sti.S.C.B 1-16	HA-16.Sti.S.B 1-16

THIS DRAWING IS A CONTROLLED DOCUMENT. DIESE ZEICHNUNG IST EIN KONTROLLIERTES DOKUMENT.		DWN 09.02.2000	TE Connectivity		
DIMENSIONS: MASSENHEITEN mm		CHK 09.02.2000	Schweiger		
TOLERANCES, UNLESS OTHERWISE SPECIFIED: ALLGEMEINTOLERANZEN		APVD -	NAME		
0 PLC ± 0.05 1 PLC ± 0.1 2 PLC ± 0.15 3 PLC ± 0.2 4 PLC ± 0.3		PRODUCT SPEC 108-74007	Male insert		
MATERIAL		APPLICATION SPEC. VERARBEITUNGSSPEZ 114-77009	HA.16.Sti.C		
FINISH / OBERFLAECHE / FARBE		WEIGHT GEWICHT	SIZE A2	CAGE CODE 00779	DRAWING NO. ZEICHNUNGS-NR. C=1103416
		CUSTOMER DRAWING / KUNDENZEICHNUNG	SCALE MASSTAB 1:1	SHEET BLATT 1 von 1	REV D7