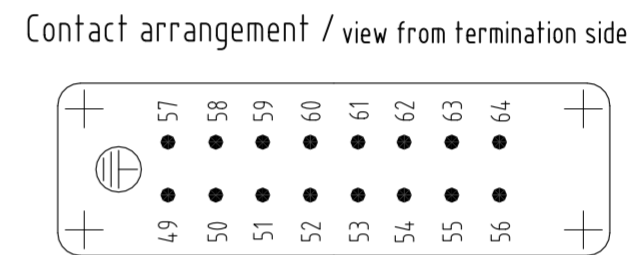
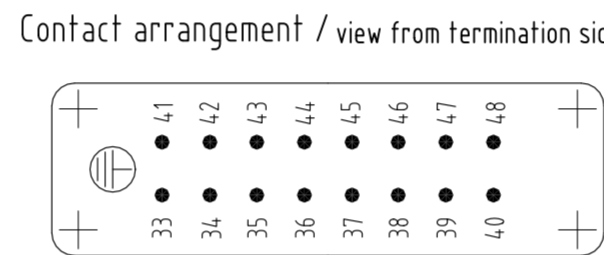
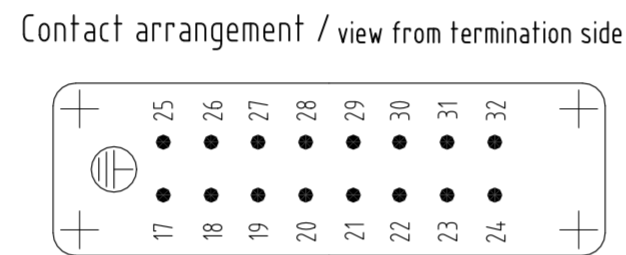
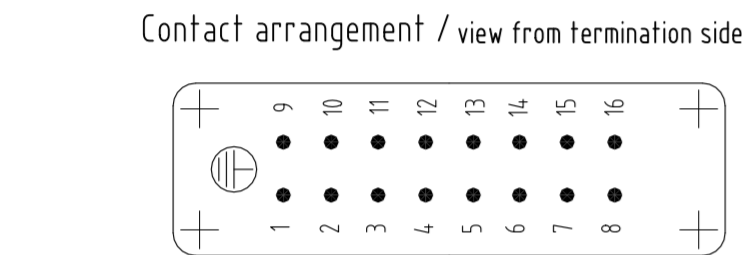
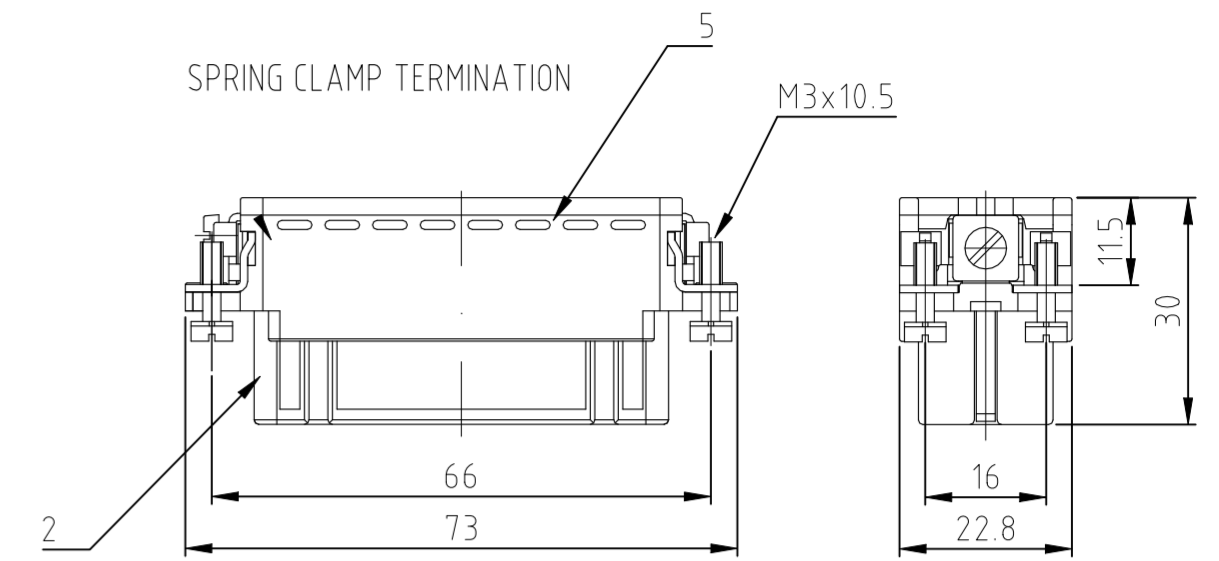
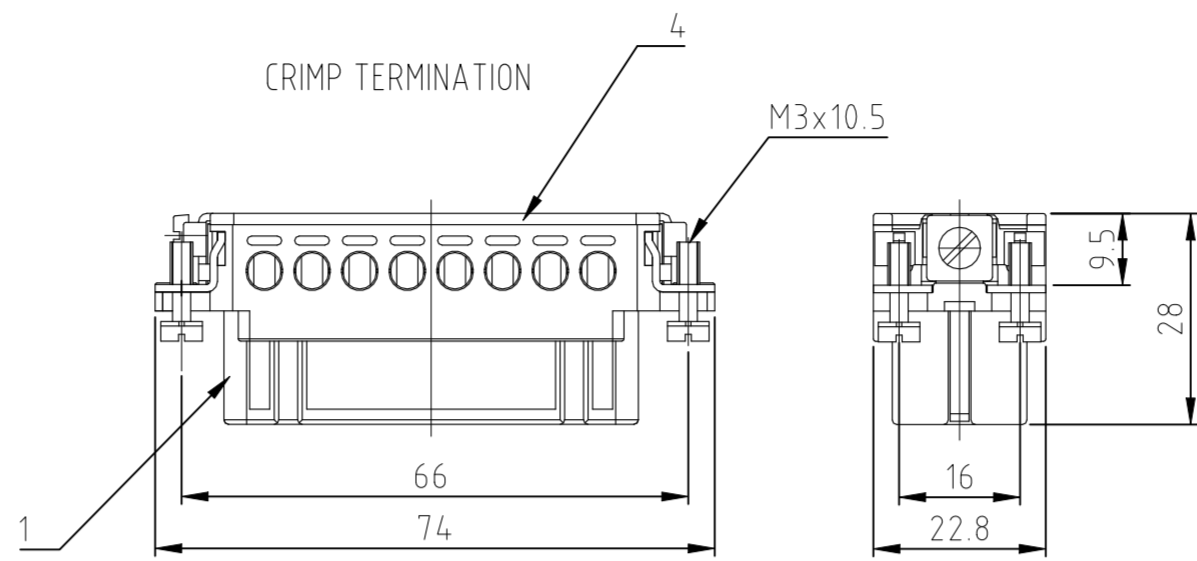
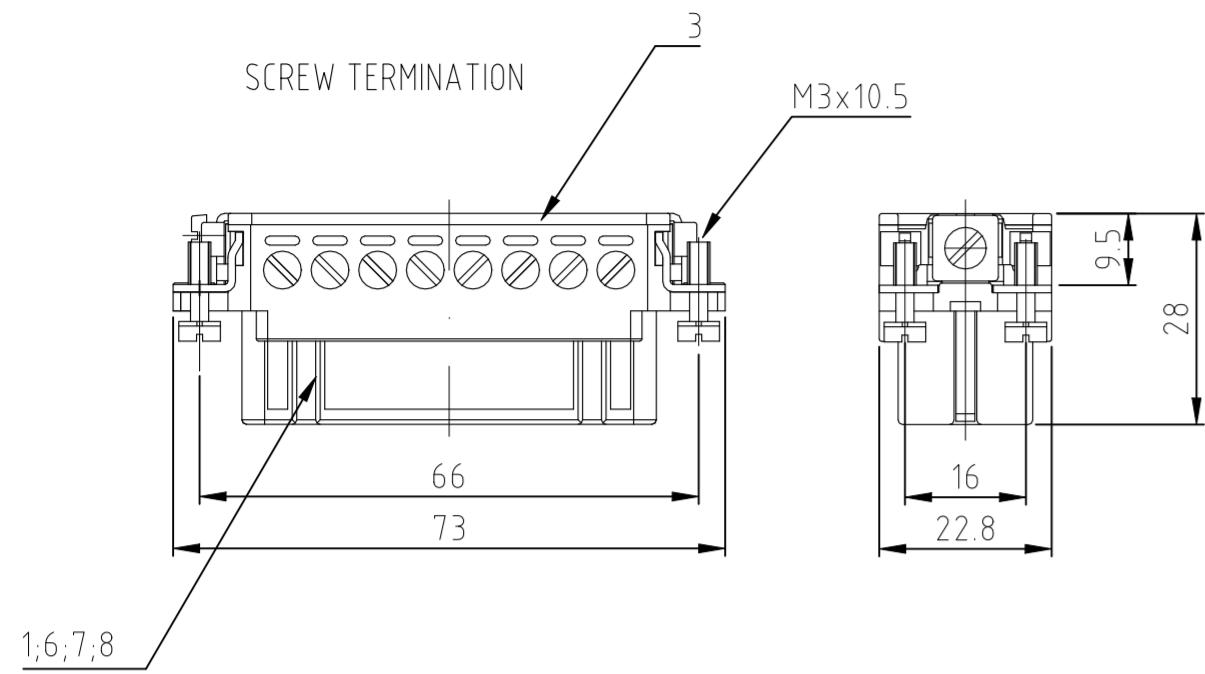


© VERTRAULICHE UNVEREFFENTLICHTE ZEICHNUNG Reserved.

FREI FUER VEROEFFENTLICHUNG
ALLE RECHTE VORBEHALTEN

MATED WITH
PASSEND ZU:
HA 16

| REVISIONS ÄNDERUNGEN | | | | | |
|-------------------------|-----|-----------------------------|-----------|-----|------|
| P | LTR | DESCRIPTION BESCHREIBUNG | DATE | DWN | APVD |
| | D7 | REVISED PER ECR-21-123577 | 08JUL2022 | RK | JB |

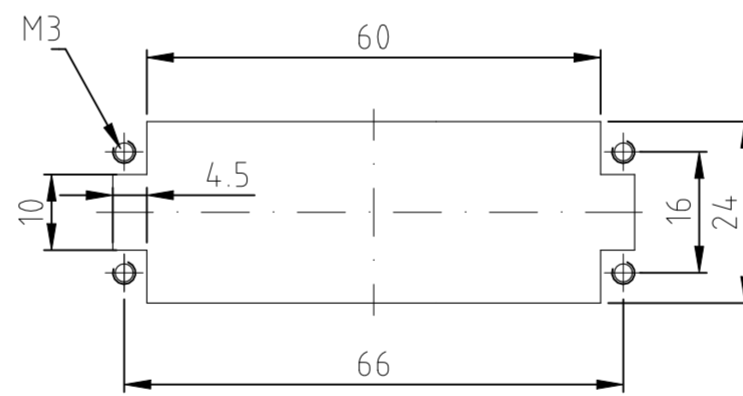


NOTES:

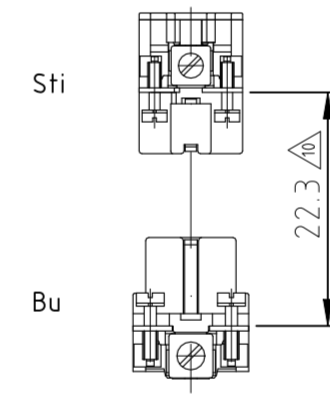
- SUITABLE CRIMP CONTACTS: SERIES HE/HA
OUTER DIMENSIONS OF INSULATION: MAX. Ø3,2 MM
- SUITABLE HOOD SIZE 5; 7; 9; 11: SERIES HA; HD
SUITABLE INSERTION AND EXTRACTION TOOL:
SCREWDRIVER 0,5x3 DIN 5264
- Strip length: Screw conection 10mm
Spring clamp conection 10mm Crimp conection 7.5mm
- STANDARDS:
DIN EN 61984; DIN EN 60664-1

- △ PACKAGING:
5 SETS IN A CARTON, PRE-MOUNTED
- △ SPECIAL PACKAGING: Krauss-Maffei
PACKAGING UNIT: 300 PIECES
- △ SPECIAL PACKAGING: Krauss-Maffei
PACKAGING UNIT: 150 PIECES
- △ SPECIAL PACKAGING: AIS
PACKAGING UNIT: 250 PIECES
- △ SPECIAL PACKAGING: WIELAND
PACKAGING UNIT: 100 PIECES

Panel cut-out for contact insert when used without housing



Assembling instruction



△ DISTANCE FOR SAFETY
CONTACT MARKING MAX. 24 mm

| HA.16.Bu.S.B1-16.WIE | HA.16.Bu.S.B1-16.AIS | HA.16.Bu.S.B17-32.KM | HA.16.Bu.S.B1-16.KM | HA.16.Bu.S.VA-B1-16 | HA.16.Bu.S.VA-B17-32 | HA.16.Bu.S-AU-B1-16 | HA.16.Bu.C.B.49-64 | HA.16.Bu.S.B 49-64 | HA.16.Bu.S.C.B.49-64 | HA.16.Bu.S.C.B.33-48 | HA.16.Bu.S.B.33-48 | HA.16.Bu.C.B.33-48 | HA.16.Bu.S.B.17-32 | HA.16.Bu.S.C.B.17-32 | HA.16.Bu.C.B.17-32 | HA.16.Bu.S.C.B.1-16 | HA.16.Bu.C.B.1-16 |
|----------------------|----------------------|----------------------|---------------------|---------------------|----------------------|---------------------|--------------------|--------------------|----------------------|----------------------|--------------------|--------------------|--------------------|----------------------|--------------------|---------------------|-------------------|
| | | | | | | | | | | | | | | | | | |
| | | | | 1 | | | | | | | | | | | | | |
| | | | | | 1 | | | | | | | | | | | | |
| | | | | | | 1 | | | | | | | | | | | |
| | | | | | | | 1 | | | | | | | | | | |
| | | | | | | | | 1 | | | | | | | | | |
| | | | | | | | | | 1 | | | | | | | | |
| | | | | | | | | | | 1 | | | | | | | |
| | | | | | | | | | | | 1 | | | | | | |
| | | | | | | | | | | | | 1 | | | | | |
| | | | | | | | | | | | | | 1 | | | | |
| | | | | | | | | | | | | | | 1 | | | |
| | | | | | | | | | | | | | | | 1 | | |
| | | | | | | | | | | | | | | | | 1 | |
| | | | | | | | | | | | | | | | | | 1 |
| | | | | | | | | | | | | | | | | | |
| | | | | | | | | | | | | | | | | | |
| | | | | | | | | | | | | | | | | | |
| | | | | | | | | | | | | | | | | | |
| | | | | | | | | | | | | | | | | | |
| | | | | | | | | | | | | | | | | | |
| | | | | | | | | | | | | | | | | | |

| DESCRIPTION / BENENNUNG | MATERIAL | COLOR / FARBE | ITEM NO. POS. | REMARKS / BEMERKUNGEN |
|----------------------------|----------|---------------|---------------|-----------------------------------|
| Socket insert screw | PBT | light beige | 8 | with stainless steel-fixing screw |
| Socket insert screw | PBT | light beige | 7 | with stainless steel-fixing screw |
| Socket insert screw | PBT | light beige | 6 | with AU contact |
| Cover | PBT | light beige | 5 | |
| Cover | PBT | light beige | 4 | |
| Cover | PBT | light beige | 3 | |
| Socket insert spring clamp | PBT | light beige | 2 | |
| Socket insert crimp screw | PBT | light beige | 1 | |

| | | | |
|--|--|---|--------------------------|
| THIS DRAWING IS A CONTROLLED DOCUMENT. DIESE ZEICHNUNG IST EIN KONTROLLIERTES DOKUMENT. | DWN 09.02.2000 Schneider | TE Connectivity | |
| DIMENSIONS: MASSENHEITEN mm | CHK 09.02.2000 Schweiger | Female insert HA.16.BU.C/S | |
| TOLERANCES, UNLESS OTHERWISE SPECIFIED: ALLGEMEINTOLERANZEN | APVD - | NAME | |
| 0 PLC + 1 PLC + 2 PLC + 3 PLC + 4 PLC + ANGLES / WINKEL ± | PRODUCT SPEC 108-74007 APPLICATION SPEC 114-74009 | SIZE A2 | CAGE CODE 00779 |
| MATERIAL - | FINISH / OBERFLAECHE / FARBE - | DRAWING NO. ZEICHNUNGS-NR. C=1103417 | RESTRICTED TO NUR FUER - |
| | WEIGHT GEWICHT - | SCALE MASSTAB 1:1 | SHEET BLATT 1 von 1 |
| | CUSTOMER DRAWING / KUNDENZEICHNUNG | SCALE MASSTAB 1:1 | REV D7 |