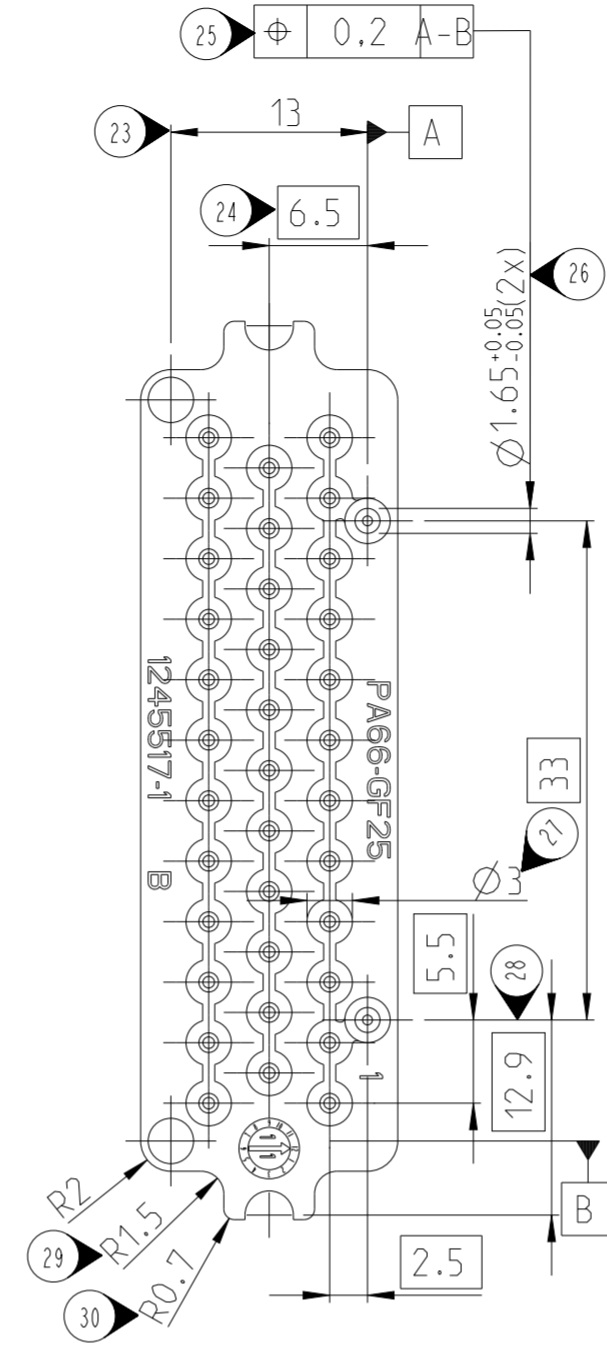
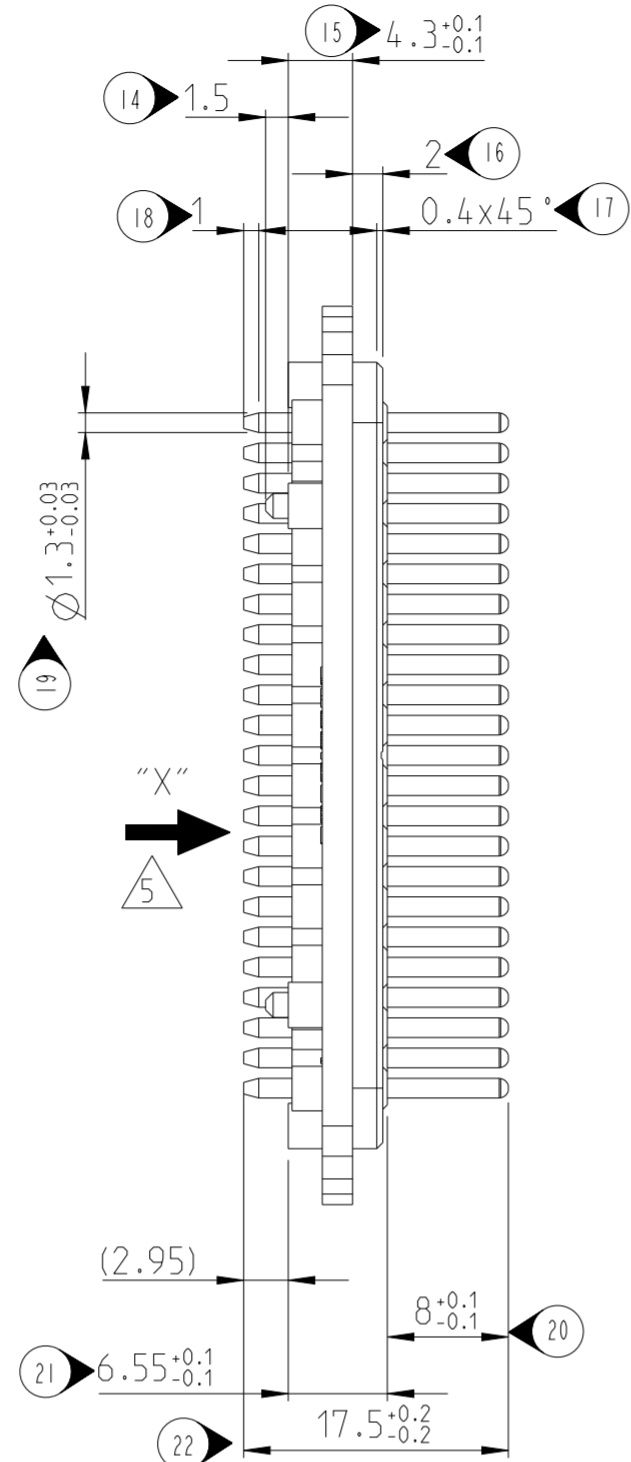
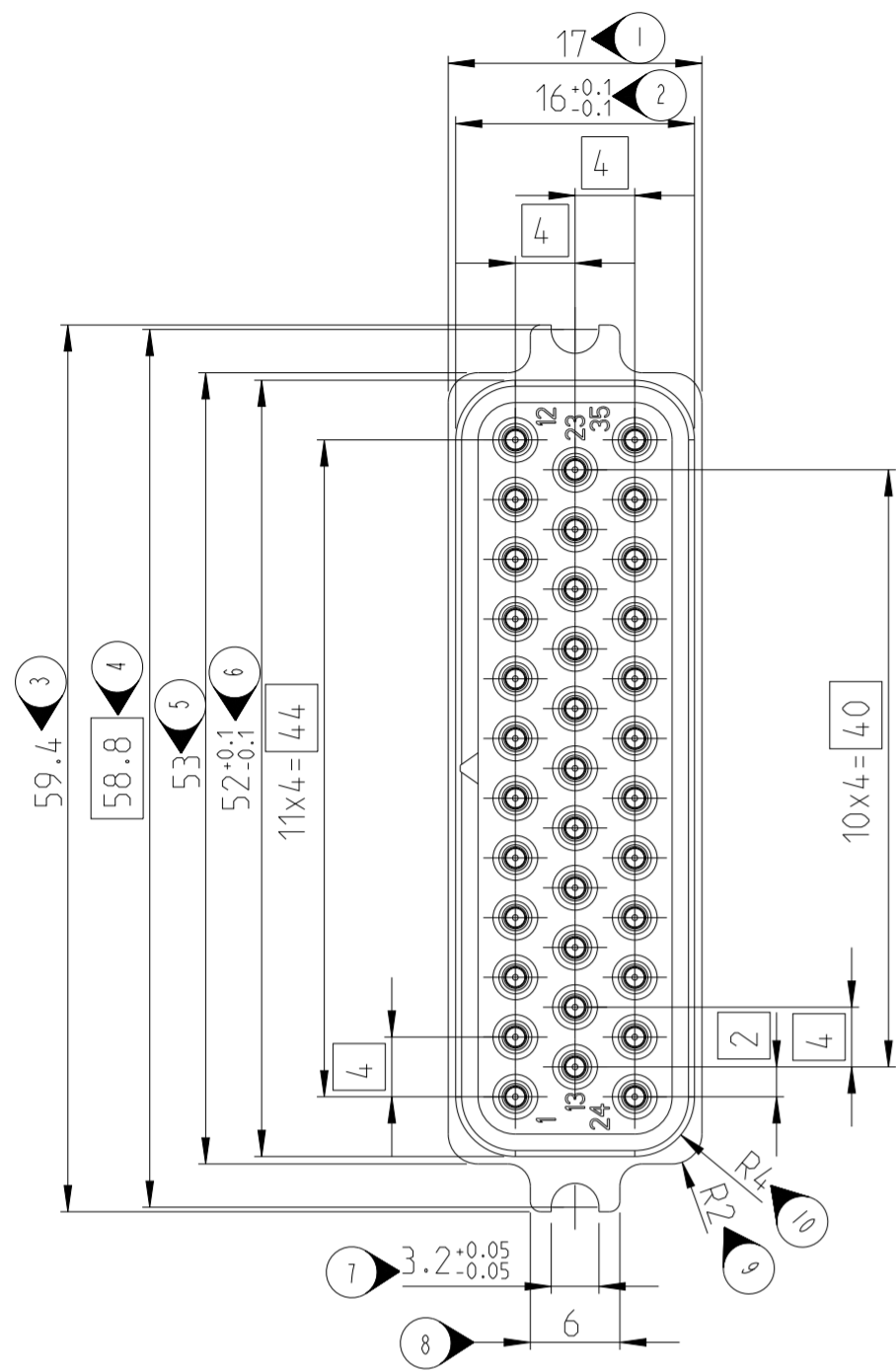
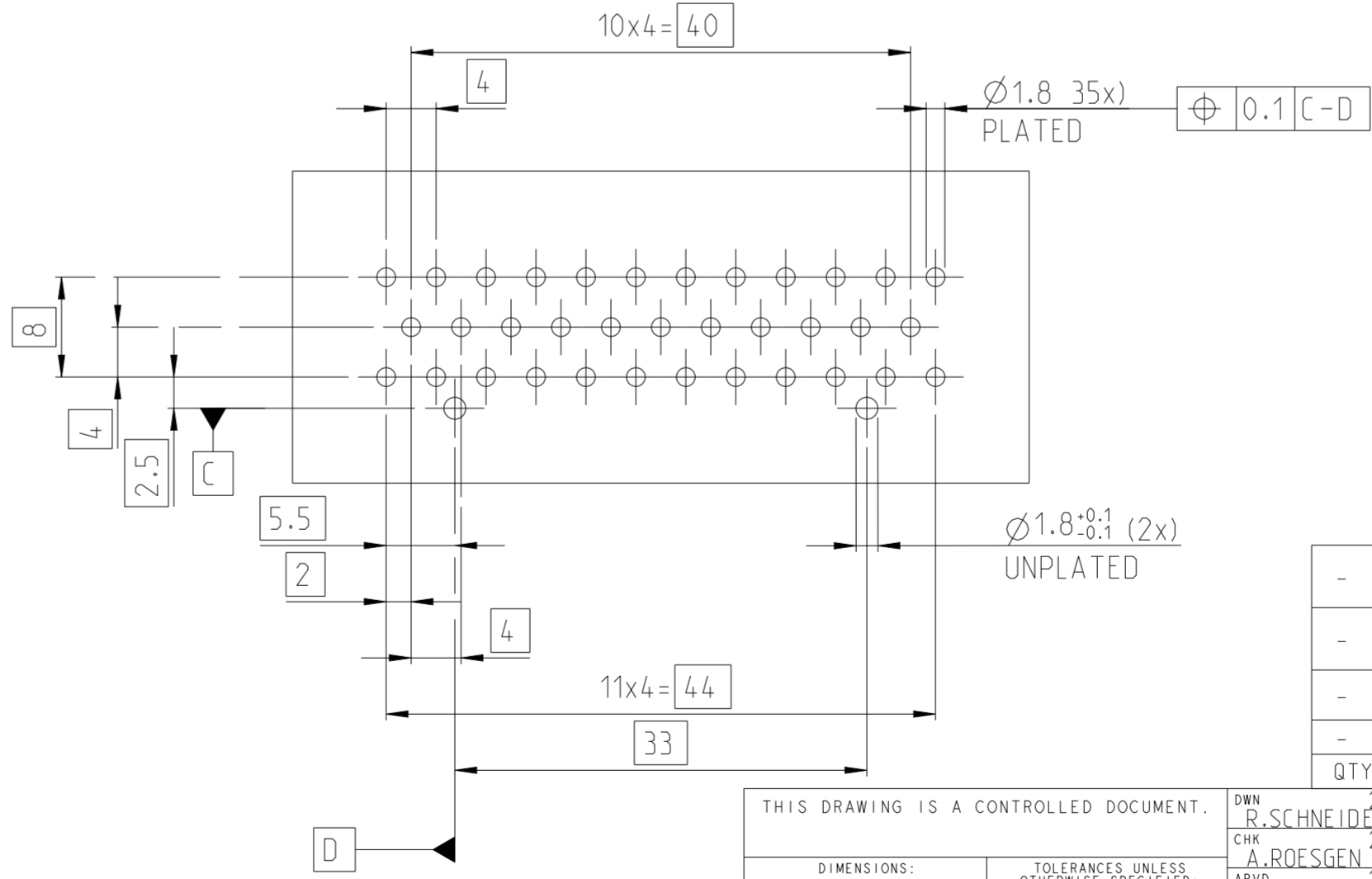


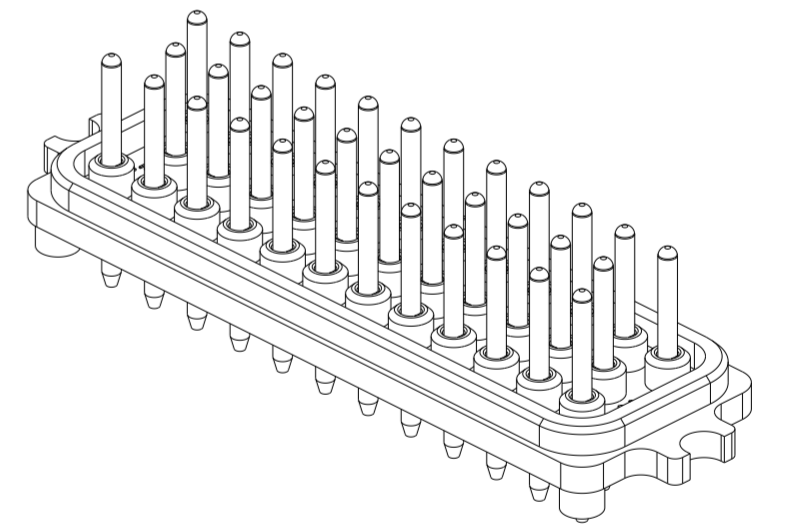
REVISIONS					
P	LTR	DESCRIPTION	DATE	DWN	APVD
B1		ECR-11-011294	26MAY2011	SR	AR
B2		ECR-11-011684	06JUN2011	SR	AR
B3		ECR-11-012551	16JUN2011	VG	AR
B4		ADDED RETENTION FORCE	26JUN2023	G.K	S.P



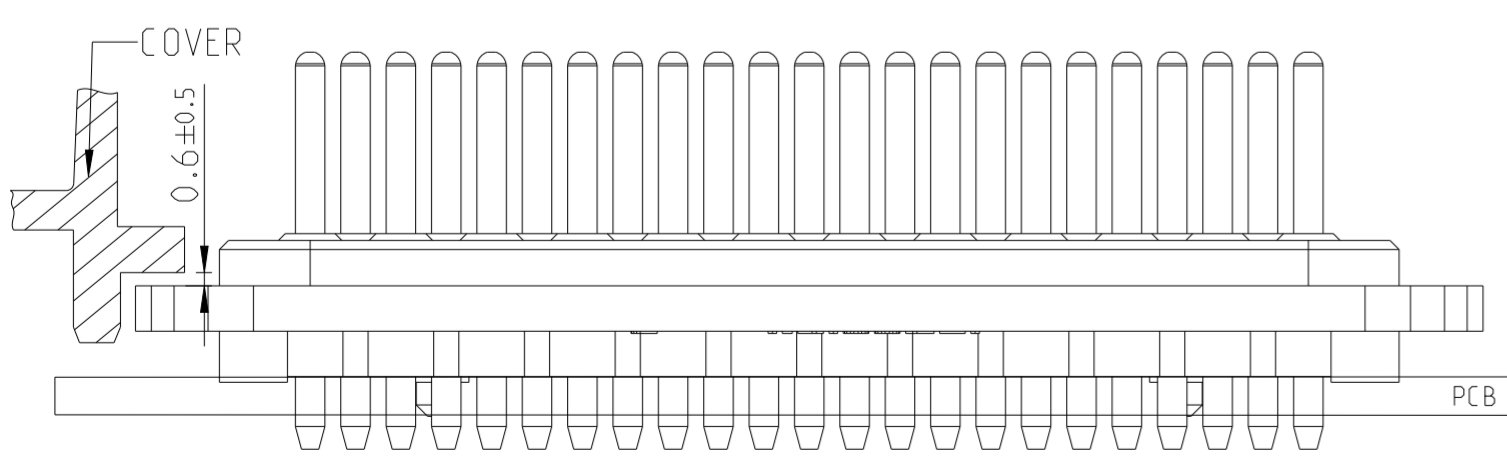
RECOMMENDED PC-BOARD LAYOUT
EMPFOHLENES LEITERPLATTENLAYOUT



- 1 2.5 µm Sn OVER 1.3 µm Ni
- 2 PACKAGING:
30 PIN HEADER PACKED IN TRAY
8 TRAYS PACKED INTO SHIPPING BOX
TOTAL PACKAGING UNIT PER BOX: 240 PARTS
- 3 ALL DIMENSIONS 0.1 C-D
- 4 WAVE SOLDER CAPABLE TO 240° C
- 5 PIN RETENTION FORCE IN X-DIRECTION MIN. 20N
- 1 2.5 µm Sn UEBER 1.3 µm Ni
- 2 VERPACKUNG:
30 STIFTSTECKER IN PRODUKTTRAEGER VERPACKT
8 PRODUKTTRAEGER VERPACKT IN KARTON
KOMPLETTPACK EINHEIT: 240 TEILE
- 3 ALLE MASSE 0.1 C-D
- 4 LOETFAEHIGKEIT BIS MAX. 240° C
- 5 PIN-HALTEKRAFT IN X-RICHTUNG MIN. 20N



INSTALLATION HEIGHT OF PIN HEADER FOR SAFE CONTACTING WITH SOCKET CONNECTOR
EINBAUHÖHE DER STIFTLISTE FUER SICHERE KONTAKTIERUNG MIT BUCHSENSTECKER



QTY	REQD	PER	ASSY	PARTS LIST
-	-	-	35	PIN STIFT
-	-	-	1	PIN HOUSING STIFTGEHAEUSE
-	-	-	-1	REV. DESCRIPTION
-	-	-	-	REVISION OF EACH ASSY NO. (WHEN BLANK, USE DWG. REVISION)

THIS DRAWING IS A CONTROLLED DOCUMENT.

DIMENSIONS:	TOLERANCES UNLESS OTHERWISE SPECIFIED:	DWN	29OCT2010
mm	0 PLC ±0.1	CHK	29OCT2010
	1 PLC ±0.1	APVD	29OCT2010
	2 PLC ±0.1	PRODUCT SPEC	108-1329
	3 PLC ±0.1	APPLICATION SPEC	114-16016
	4 PLC ±0.1	WEIGHT	-
MATERIAL	FINISH	CUSTOMER DRAWING	SCALE 5:1 SHEET 1 OF 1 REV B4

NAME: AMP SEAL PIN HEADER 35 POS.

SIZE: A2 CAGE CODE: 00779 DRAWING NO: C-1103599 RESTRICTED TO: -