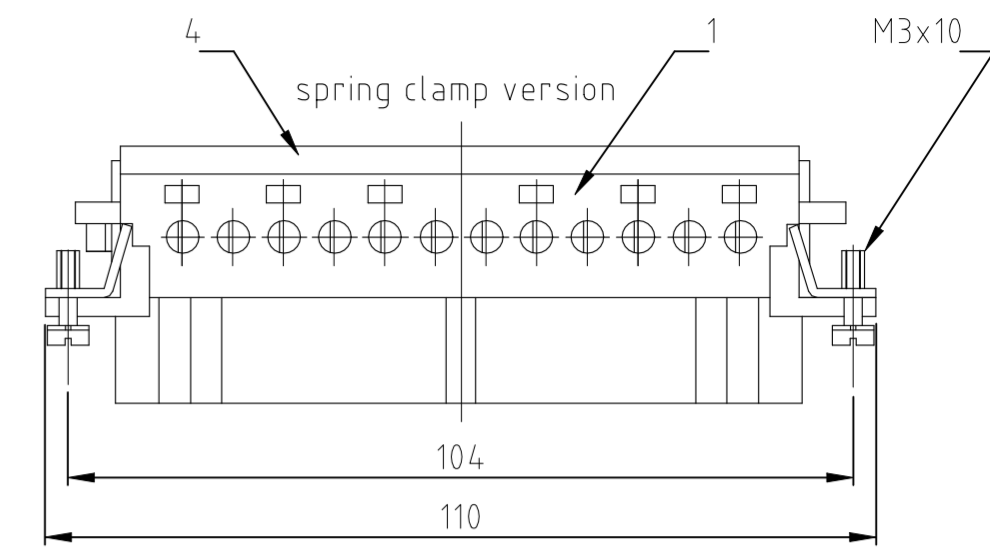
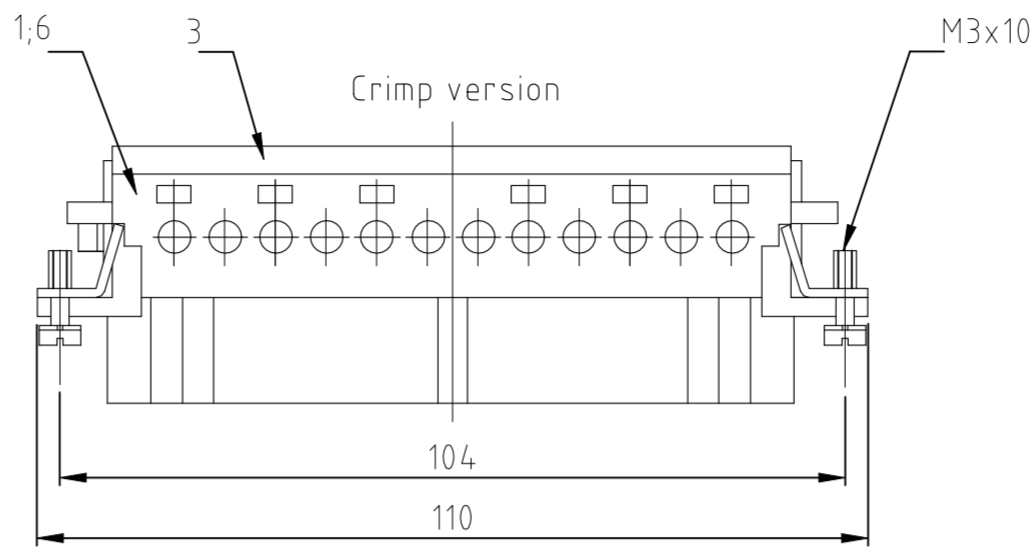
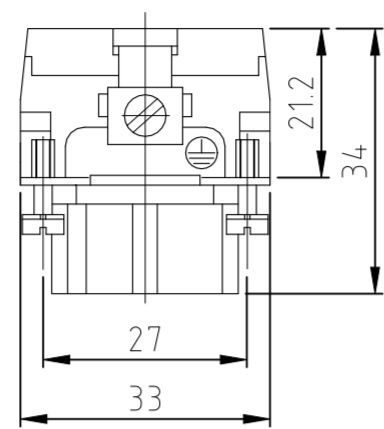
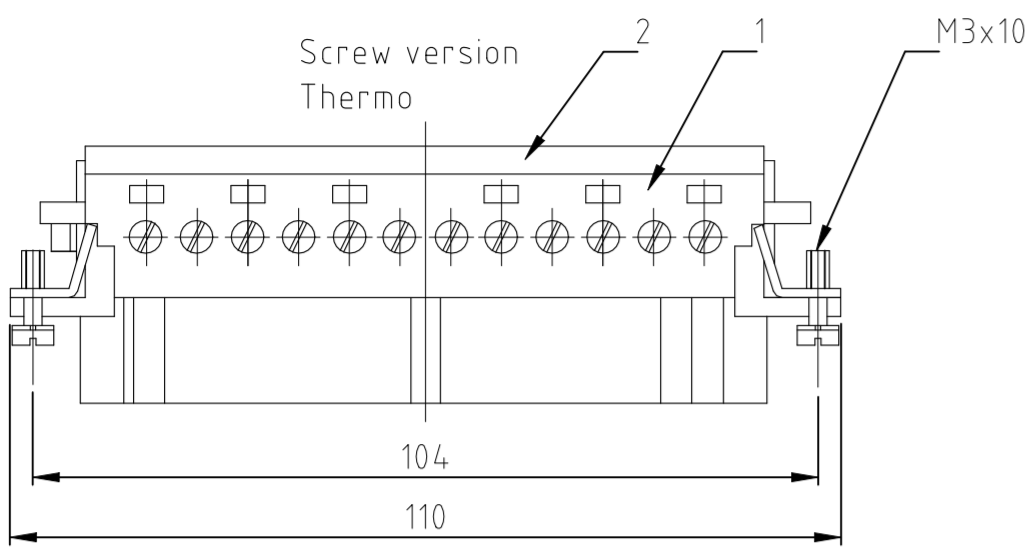
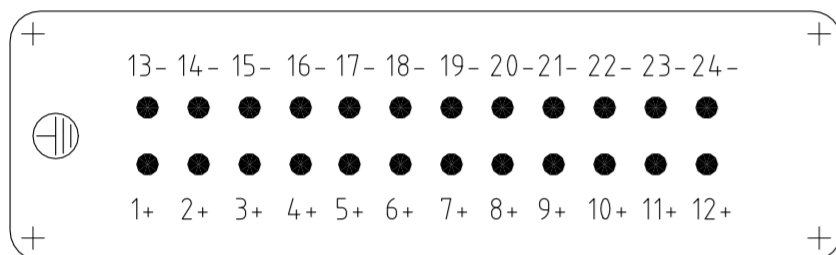


REVISIONS					
P	LTR	DESCRIPTION	DATE	DWN	APVD
E5	ECR-21-123503		06JUL2022	RK	JB



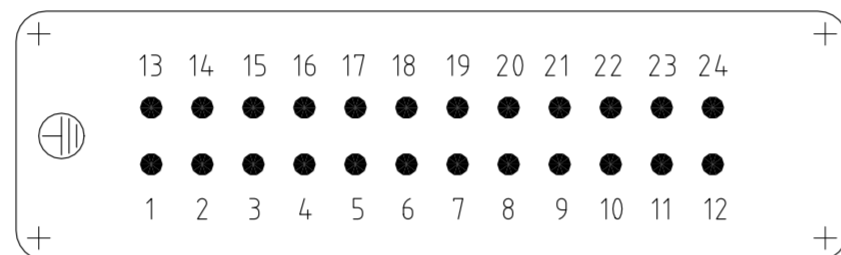
Contact arrangement view from termination side

Printing 1-24 Thermo

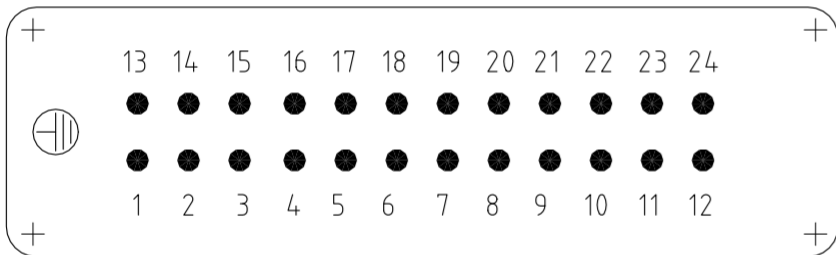


Contact arrangement view from termination side

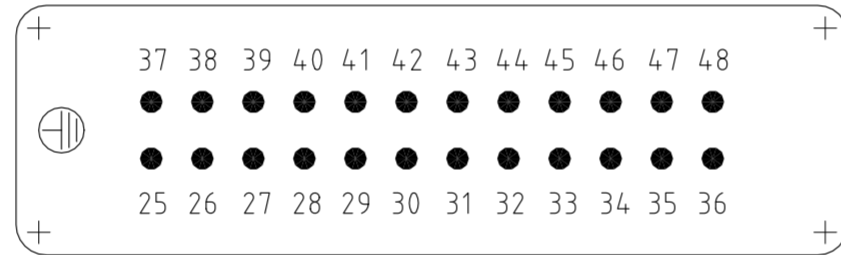
Printing 1-24



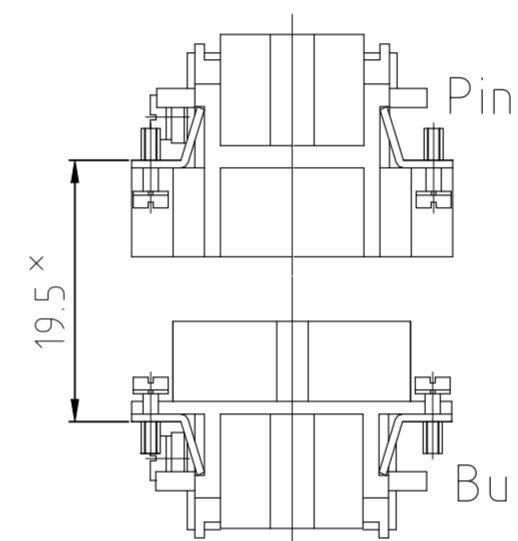
Printing 1-24 Screw



Printing 25-48



assembly directions

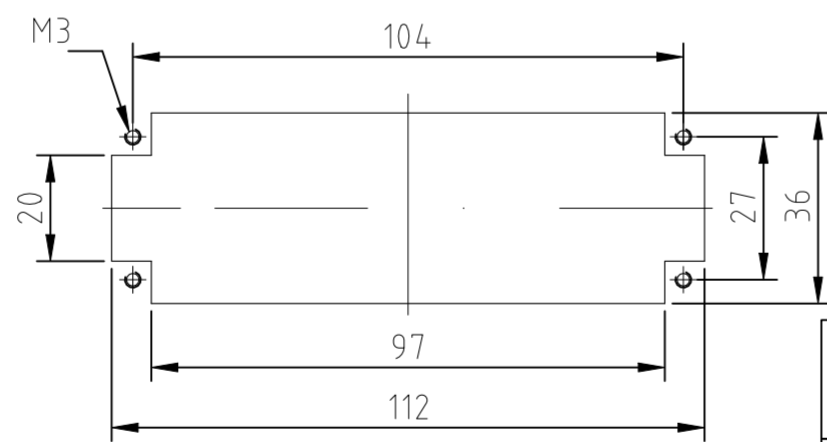


× distance for a safe contact max: max: 21 mm

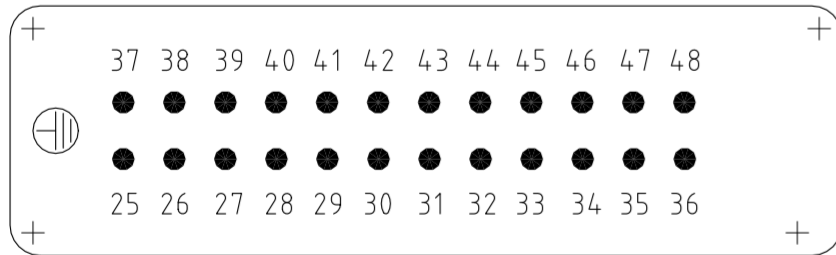
NOTES:

- 1 SUITABLE CRIMP CONTACTS: SERIES HE/HA OUTER DIMENSIONS OF INSULATION: MAX. Ø3,2 MM
- 2 SUITABLE HOOD SIZE 8; 12: SERIES HB; HD; HIP; SUITABLE INSERTION AND EXTRACTION TOOL: SCREWDRIVER 0,5x3 DIN 5264
- 3 Strip length: Screw connection 10mm Spring clamp connection 10mm Crimp connection 7.5mm
- 4 STANDARDS: DIN EN 61984; DIN EN 60664-1
- 5 PACKAGING: 5 SETS IN A CARTON, PRE-MOUNTED
- 6 SPECIAL PACKAGING: Krauss-Maffei PACKAGING UNIT: 220 PIECES

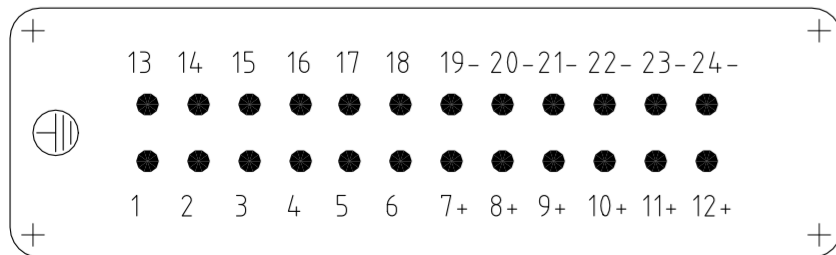
Panel cut-out for contact insert when used without housing



Printing 25-48 Screw



Printing 12+6+6 Screw/Thermo



HE-24.Bu.S.B1-24 KM	1	OBSOLETE	
HE-24.Bu.C.3.3 B1-24	1	OBSOLETE	
HE-24.Bu.SC-AU B1-24	1	OBSOLETE	
HE-24.Bu.S-T.B-12+6+6	1	OBSOLETE	
HE-24.Bu.S-AU B25-48	1	OBSOLETE	
HE-24.Bu.S-AU B1-24	1		
HE-24.Bu.SC.B.25-48	1		
HE-24.Bu.SC.B1-24	1		
HE-24.Bu.C.B.25-48	1		
HE-24.Bu.C.B1-24	1		
HE-24.Bu.S.B.25-48	1		
HE-24.Bu.S-T	1		
HE-24.Bu.S.B1-24	1		

DESCRIPTION / BENENNUNG	MATERIAL	COLOR / FARBE	ITEM NO. POS.
Socket contact		light grey	5
Deckel Federklemmverson		light grey	4
Crimp Crimp version		light grey	3
Cover screw version		light grey	2
Buchseneinsatz		light grey	1

THIS DRAWING IS A CONTROLLED DOCUMENT.

DIMENSIONS: mm

TOLERANCES UNLESS OTHERWISE SPECIFIED:

0 PLC ± 0.15  
1 PLC ± 0.10  
2 PLC ± 0.08  
3 PLC ± 0.07  
4 PLC ± 0.05

NAME: Schneider  
Schweiger

DATE: 08.02.2000

DRAWING NO: 1103641

SCALE: 1:1

TE Connectivity

Female insert HE.24.BU.S/C

CAGE CODE: 00779

RESTRICTED TO