

THIS DRAWING IS UNPUBLISHED.

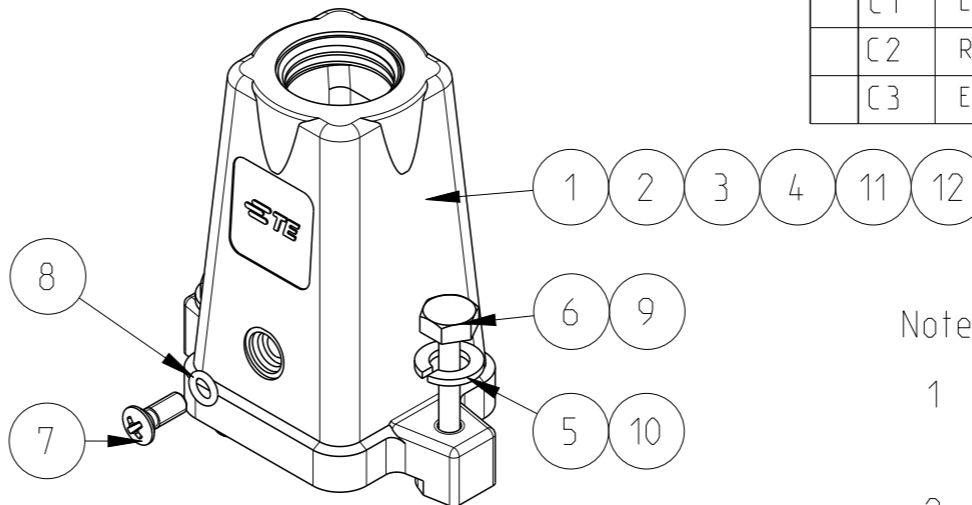
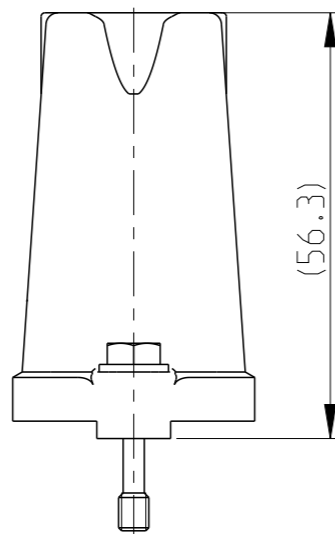
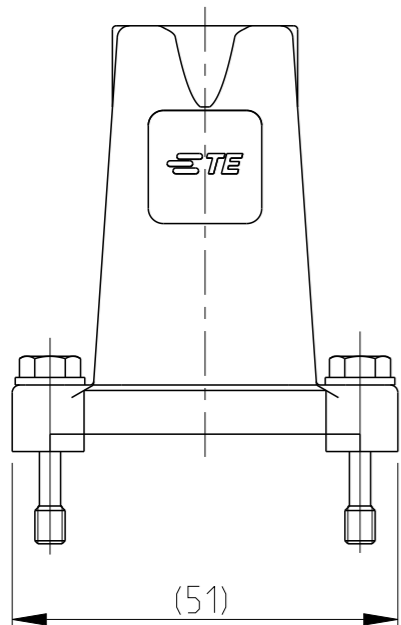
RELEASED FOR PUBLICATION

2009

REVISIONS

© COPYRIGHT 2009 BY - ALL RIGHTS RESERVED.

| P | LTR | DESCRIPTION | DATE | DWN | APVD |
|---|-----|---------------------------|-----------|-----|------|
| | C | ECR-16-014579 | 26APR2017 | GCM | JB |
| | C1 | ECR-17-010220 | 08AUG2017 | GCM | JB |
| | C2 | REVISED PER ECR-17-014013 | 12FEB2018 | SRG | MKO |
| | C3 | ECR-21-123577 | 21MAR2022 | RK | JB |

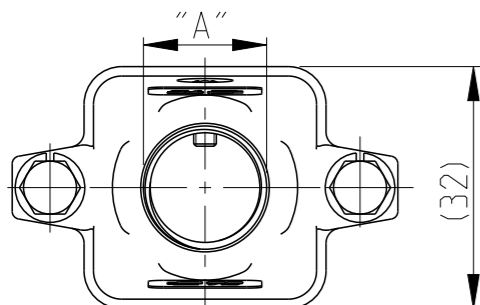


PN 0-1 AS SHOWN

| | | |
|----------|---------------|-----------------------|
| OBSOLETE | 0-1106402-8 | EMV.3/4.STO.1.M20.G |
| | 0-1106402-7 | EMV-K.3/4.ST-N |
| OBSOLETE | 0-1106402-6 | EMV-K.3/4.STO.1.M20.G |
| | 0-1106402-5 | EMV-K.3/4.STO.1.M16.G |
| | 0-1106402-4 | EMV.3/4.STO.1.M16.G |
| | 0-1106402-3 | EMV-K.3/4.STO.1.M20.G |
| | 0-1106402-2 | EMV-K.3/4.STO.1.M16.G |
| | 0-1106402-1 | EMV.3/4.STO.1.M16.G |
| PART NO. | ORDERING TEXT | |

Notes

- 1 SUITABLE HOUSINGS: SERIES EMV, SIZE 1
CUSTOMER DRAWING 1102703; 1102702
- 2 STANDARDS: DIN EN 61984, DIN EN 60664-1
- 3 SURFACE: CHROMIT AL TCP PASSIVATION
- 4 TOOLS: PHILLIPS SCREWDRIVER PH1
HEXAGON SCREWDRIVER 7mm
- 5 VARNISH ON INSIDE AREA NOT NECESSARY
- 6 PACKAGING:
10 SETS IN A CARTON, PRE-MOUNTED



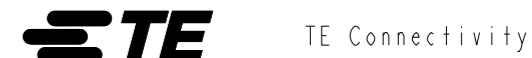
| PN/QTY | 0-8 | 0-7 | 0-6 | 0-5 | 0-4 | 0-3 | 0-2 | 0-1 | DESCRIPTION | "A" | MATERIAL | COLOR/SURFACE | NOTE | ITEM | |
|--------|-----|-----|-----|-----|-----|-----|-----|-----|-------------------------------|-----|---------------|---------------|--|------------------------------|---|
| | | | | | | | | | CONNECTOR HOUSING | M20 | ALU ALLOY | GREY | SERIES EMV, SIZE 1, METRIC | 12 | |
| | | | | | | | | | CONNECTOR HOUSING | | ALU ALLOY | BLACK | SERIES EMV-K.3/4.ST-N, SIZE 1, METRIC, W/O THREAD & LOGO | 11 | |
| | | | 2 | 2 | | | | | WASHER, PLAIN | | STAINL. STEEL | BLANK | A4, DIN EN ISO 7089, 200HV (V4A) | 10 | |
| | | | 2 | 2 | | | | | SCREW, HEXAGON BOLT | | STAINL. STEEL | BLANK | M4x22 DIN EN ISO 7964, REDUCED SHUNK (V4A) | 9 | |
| | 1 | 1 | 1 | 1 | 1 | 1 | 1 | 1 | O - RING | | NBR | BLACK | 3.0x1.0 | 8 | |
| | 1 | 1 | 1 | 1 | 1 | 1 | 1 | 1 | SCREW COUNTERSUNK RAISED HEAD | | STAINL. STEEL | V2A | M3x8 PH1 DIN EN ISO 7047 | 7 | |
| | 2 | 2 | | | | 2 | 2 | 2 | SCREW, HEXAGON BOLT | | STAINL. STEEL | BLANK | M4x22 DIN EN ISO 7964, REDUCED SHUNK | 6 | |
| | 2 | 2 | | | | 2 | 2 | 2 | WASHER, PLAIN | | STAINL. STEEL | BLANK | A4, DIN EN ISO 7089, 200HV | 5 | |
| | | | 1 | | | | | | CONNECTOR HOUSING | M20 | ALU ALLOY | WHITE | 3 | SERIES EMV-K, SIZE 1, METRIC | 4 |
| | | | | | | 1 | | | CONNECTOR HOUSING | M20 | ALU ALLOY | BLACK | 3 | SERIES EMV-K, SIZE 1, METRIC | 3 |
| | | | | 1 | | | 1 | | CONNECTOR HOUSING | M16 | ALU ALLOY | BLACK | 3 | SERIES EMV-K, SIZE 1, METRIC | 2 |
| | | | | 1 | | | | 1 | CONNECTOR HOUSING | M16 | ALU ALLOY | GREY | SERIES EMV, SIZE 1, METRIC | 1 | |

PARTS LIST (PER ONE UNIT)

THIS DRAWING IS A CONTROLLED DOCUMENT.

| DIMENSIONS: | TOLERANCES UNLESS OTHERWISE SPECIFIED: |
|-------------|--|
| mm | |
| 0 PLC | ± |
| 1 PLC | ± |
| 2 PLC | ± |
| 3 PLC | ± |
| 4 PLC | ± |
| ANGLES | ±1° |
| MATERIAL | FINISH |

| | | |
|------------------|---------------|-----------|
| DWN | V.GLUMM | 14AUG2009 |
| CHK | H.Braun | 14AUG2009 |
| APVD | T.Schnurpfeil | 14AUG2009 |
| PRODUCT SPEC | | |
| APPLICATION SPEC | | |
| WEIGHT | | |



CONNECTOR HOUSING ASS'Y, TOP ENTRY
SERIES EMV, SIZE 1, METRIC

| SIZE | CAGE CODE | DRAWING NO | RESTRICTED TO |
|------|-----------|------------|---------------|
| A3 | 00779 | C=1106402 | |

CUSTOMER DRAWING SCALE 5:1 SHEET 1 OF 1 REV C3