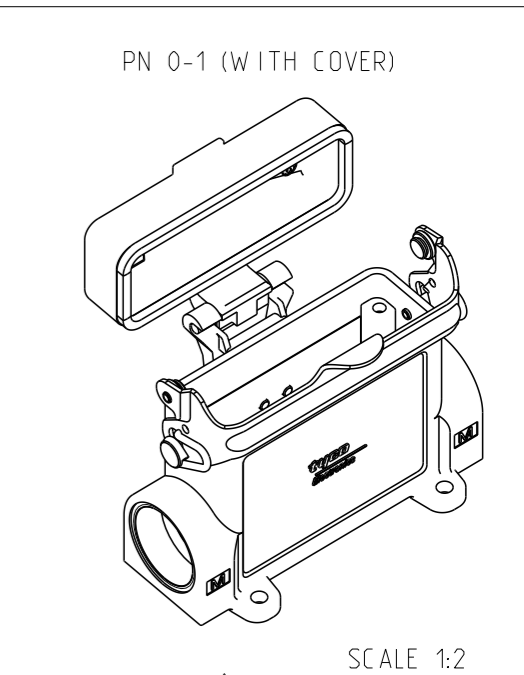
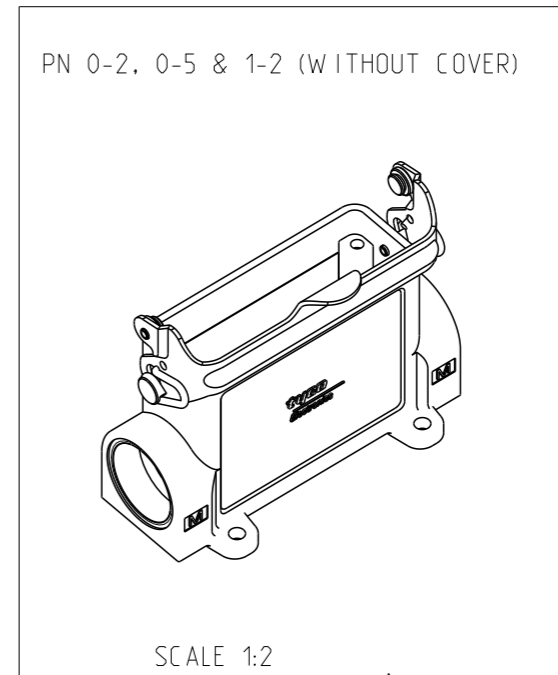
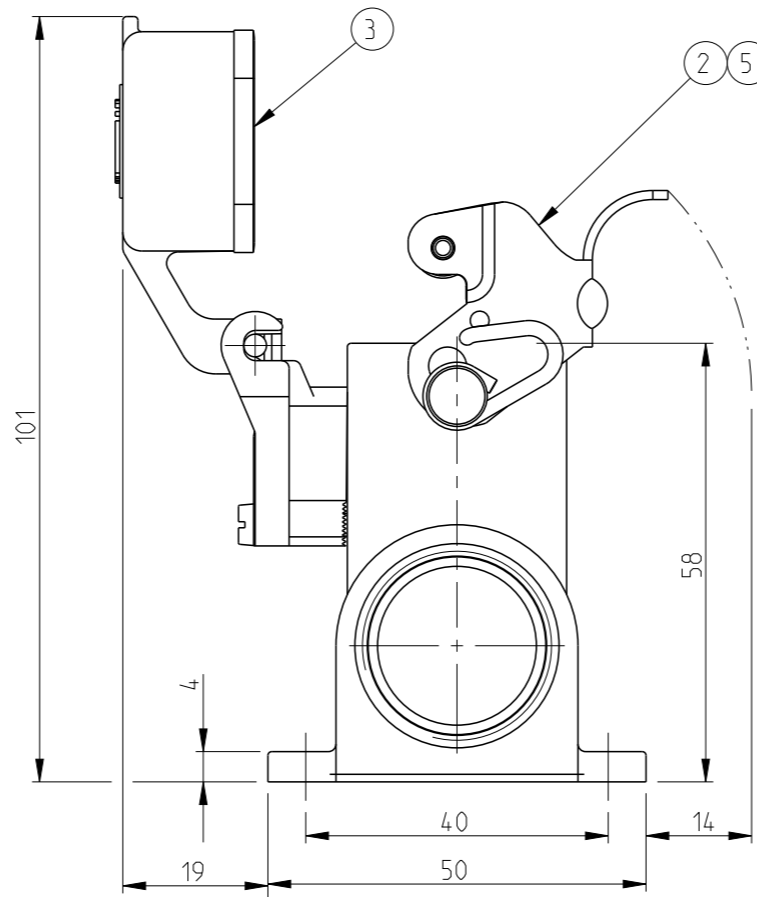
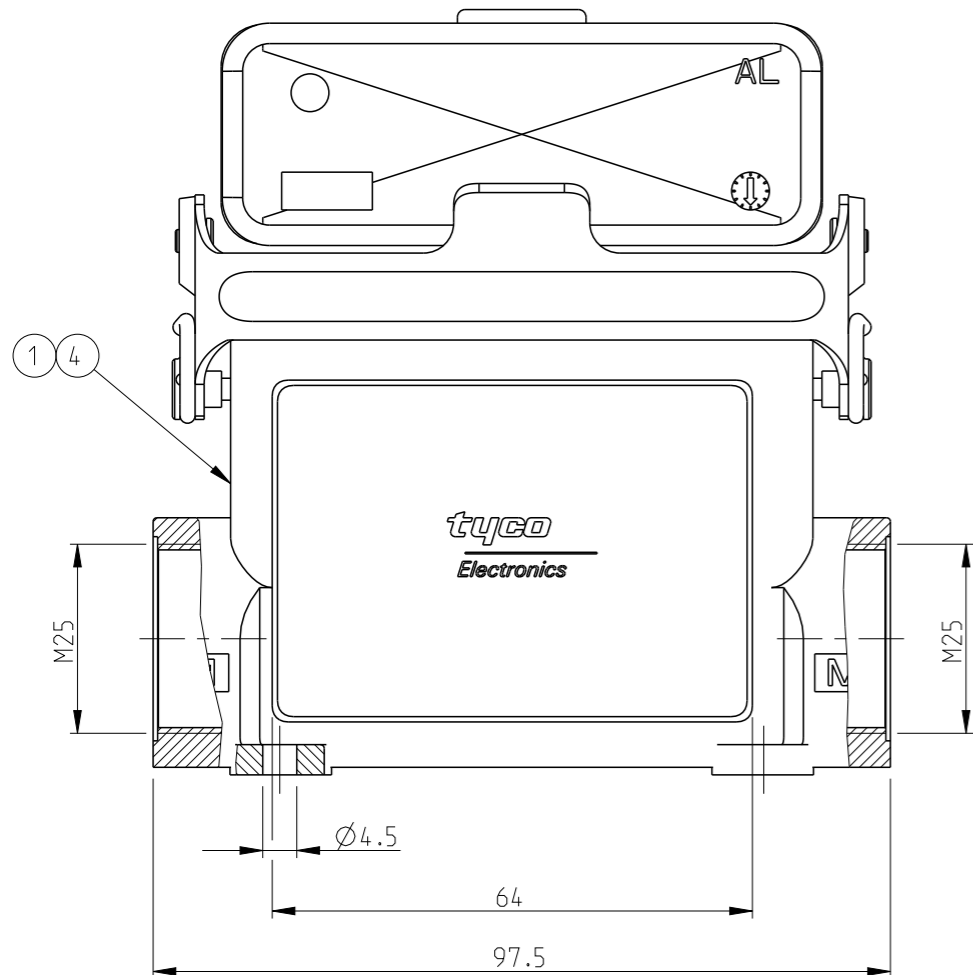


P	LTR	DESCRIPTION	DATE	DWN	APVD
	B5	REVISED PER ECR-17-014013	12FEB2018	SRG	MK0



- NOTES:
- 1 MATERIAL: SEE TABLE
 - 2 SURFACE: SEE TABLE
 - 3 VARNISH ON THE INSIDE NOT NECESSARY
 - 4 PACKAGING QUANTITY: 5 PIECES PER BOX
 - 5 SPECIAL PACKING

QTY	5	OBSOLETE	OBSOLETE	DESCRIPTION	MATERIAL	SURFACE	COLOR	ITEM NO.	REMARKS
1	-	-	-	CLIP	STAINLESS STEEL	BLANK	-	5	
1	-	-	-	SURFACE MOUNTED HOUSING-SIDE ENTRY HD-K	ALUMINIUM	ALUMINIUM OXIDE	BLACK	4	
-	-	-	1	COVER	ALUMINIUM	-	GREY	3	
-	1	1	1	CLIP	STEEL	ZINC PLATED	BLUE	2	
-	1	1	1	SURFACE MOUNTED HOUSING-SIDE ENTRY HD	ALUMINIUM	-	GREY	1	
1-2	0-5	0-2	0-1	ORDERING TEXT					
				HD25.SGD-LB.2.M25.Z					OBSOLETE
				HD25.SG-LB.2.M25.Z					
				HD25.SG-LB.2.M25.Z.KM					
				HD-K.25.SG-LB.1.M25.Z					

THIS DRAWING IS A CONTROLLED DOCUMENT.

DWN: S.KUMAR 4/24/2006
 CHK: P.BENNUR 4/24/2006
 APVD: T.SCHNURPFEL 4/24/2006

TE Connectivity

NAME: SURFACE MOUNTED HOUSING SIDE ENTRY HD25.SG/SGD-LB.2.M25.Z

PRODUCT SPEC: 108-74009
 APPLICATION SPEC: 114-74004
 WEIGHT: -

SIZE: A3 CAGE CODE: 00779 DRAWING NO: C=1106441 RESTRICTED TO: -

CUSTOMER DRAWING SCALE: 1:1 SHEET: 1 OF 1 REV: B5

DIMENSIONS: mm	TOLERANCES UNLESS OTHERWISE SPECIFIED: n. ISO 8015 n. ISO 2768-mH-E n. DIN 16901-120
	0 PLC ± 1 PLC ± 2 PLC ± 3 PLC ± 4 PLC ± ANGLES ±
MATERIAL: material_2	FINISH: finish_spec_2