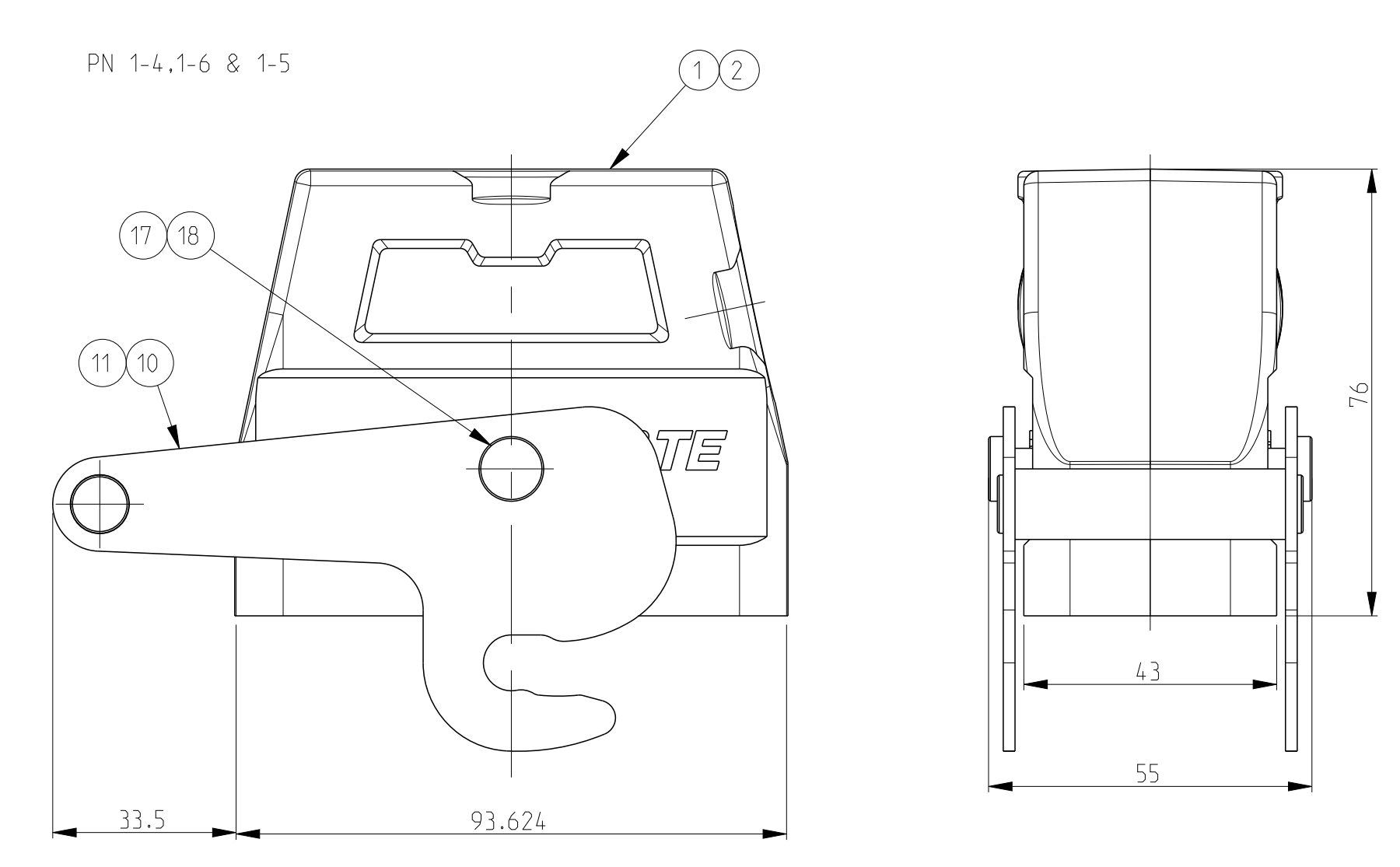
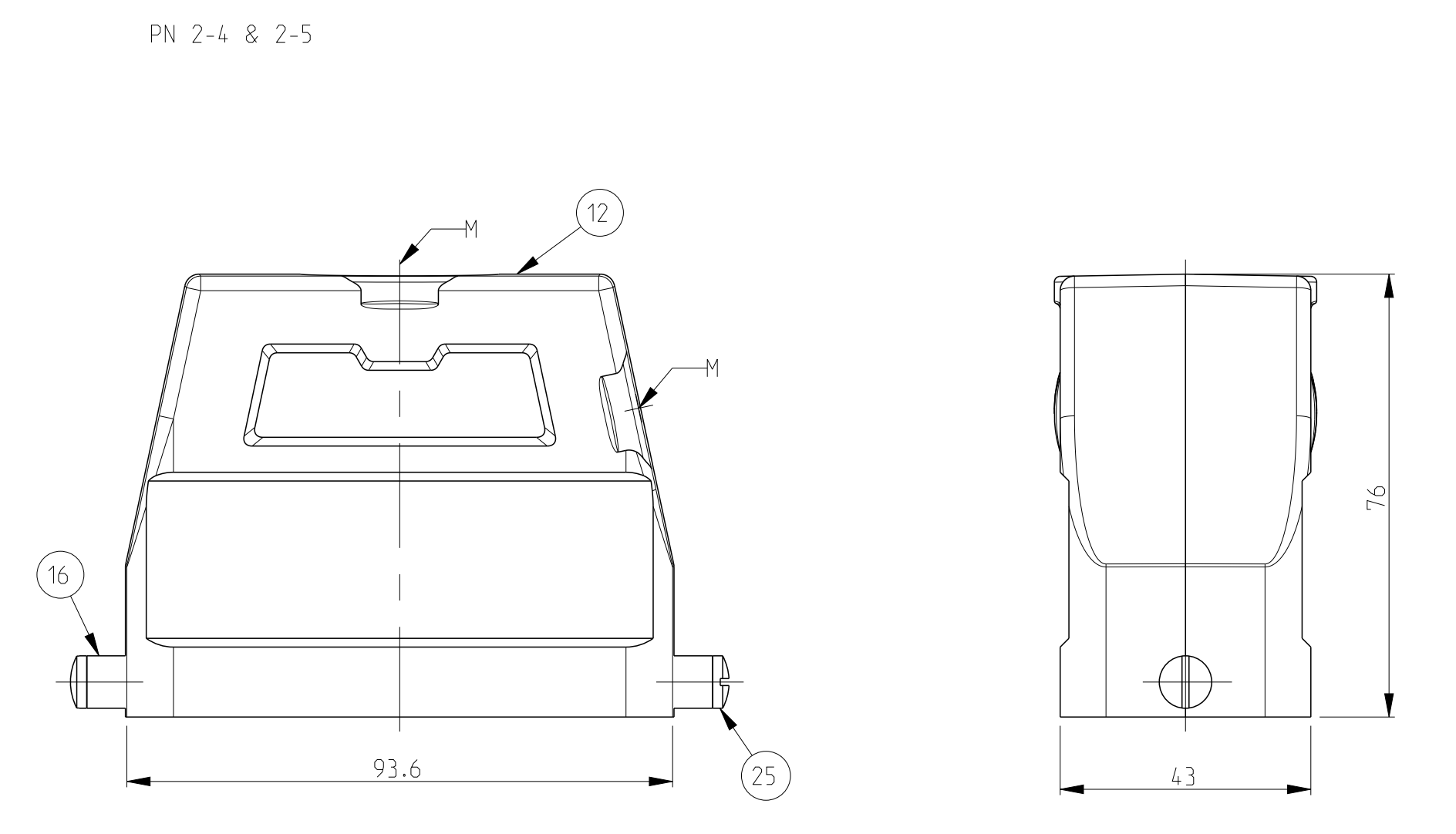
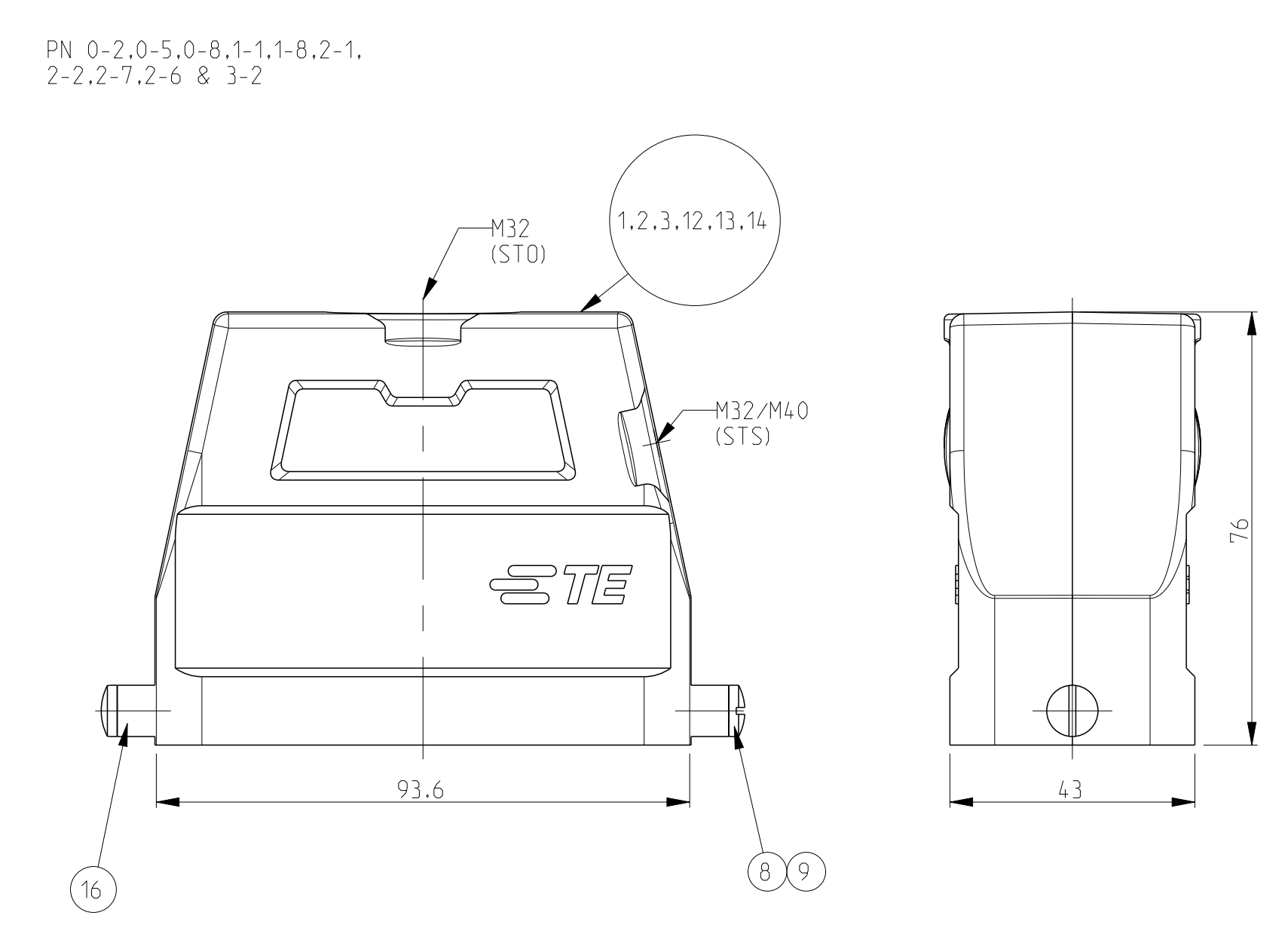
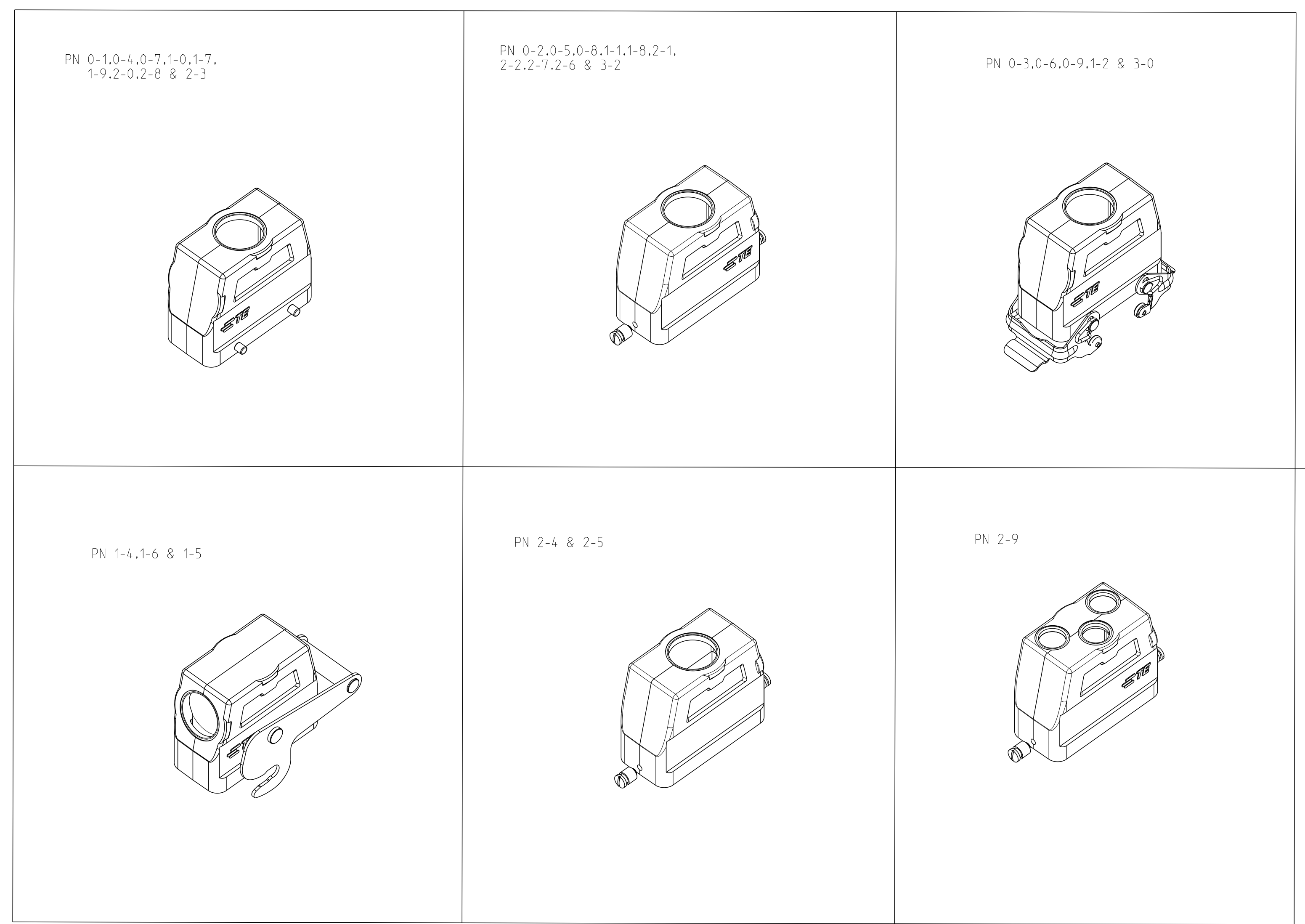
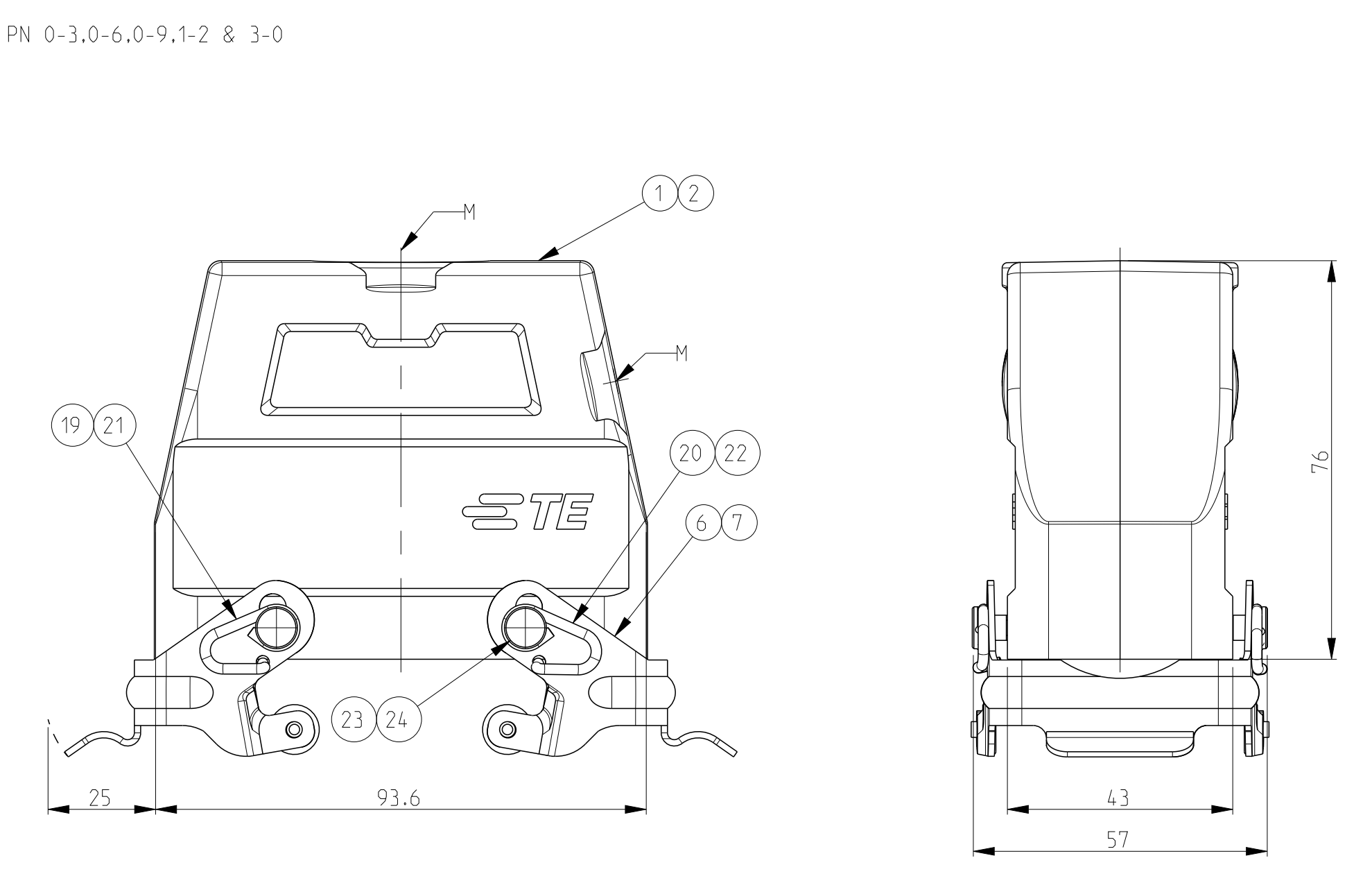
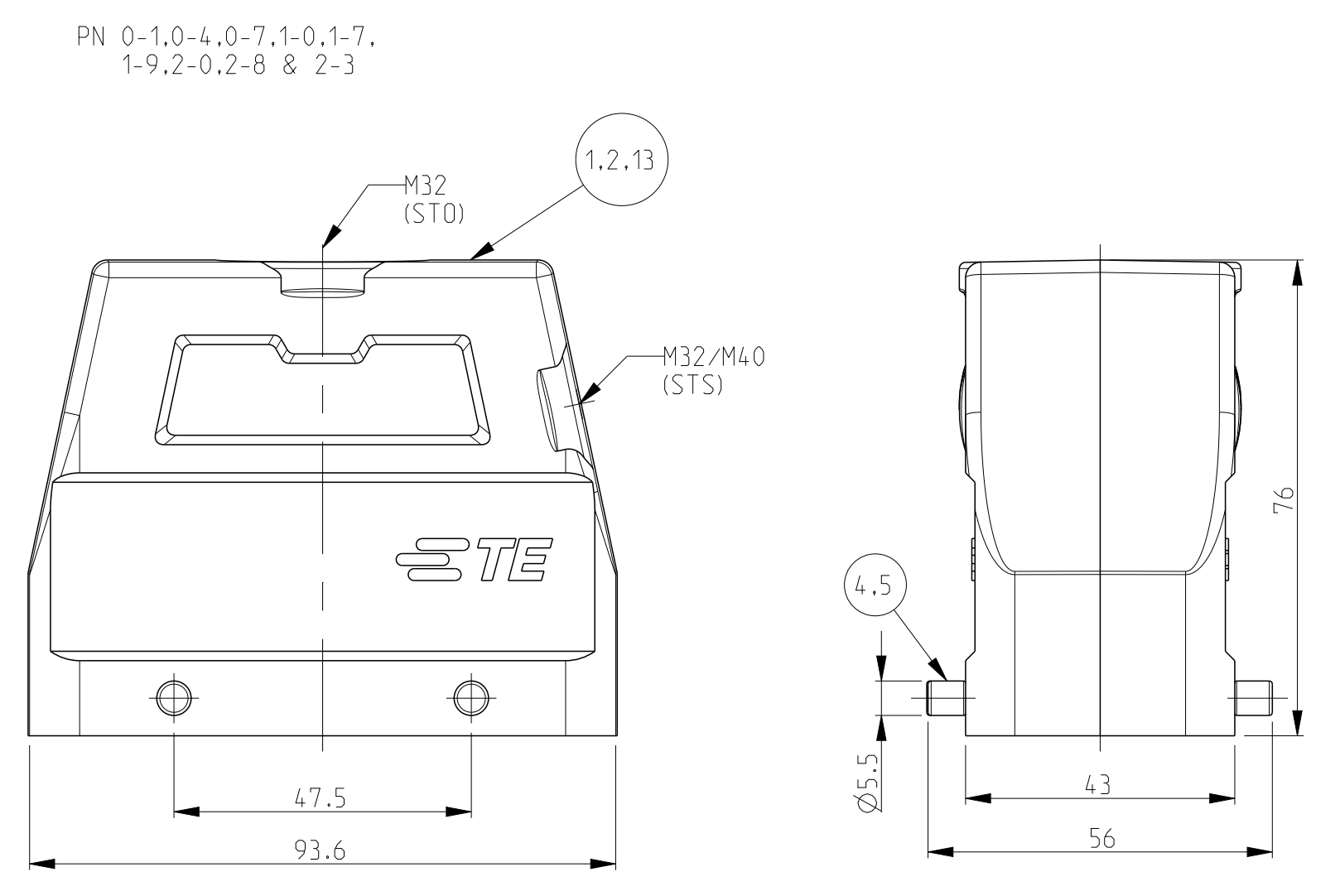
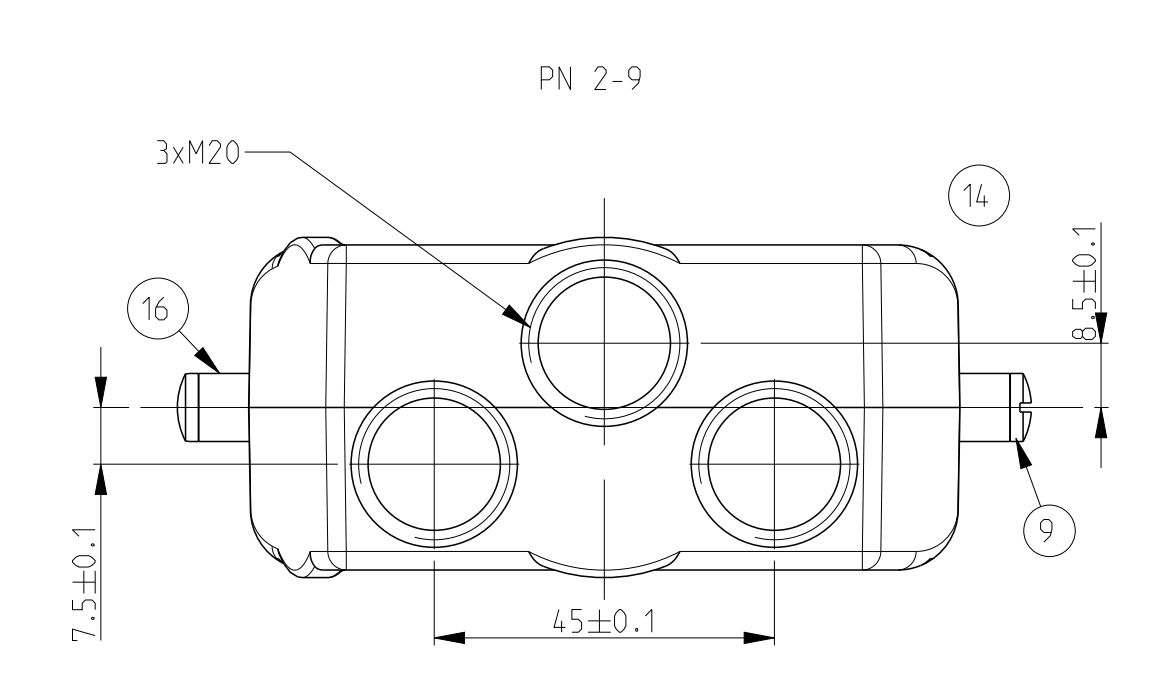
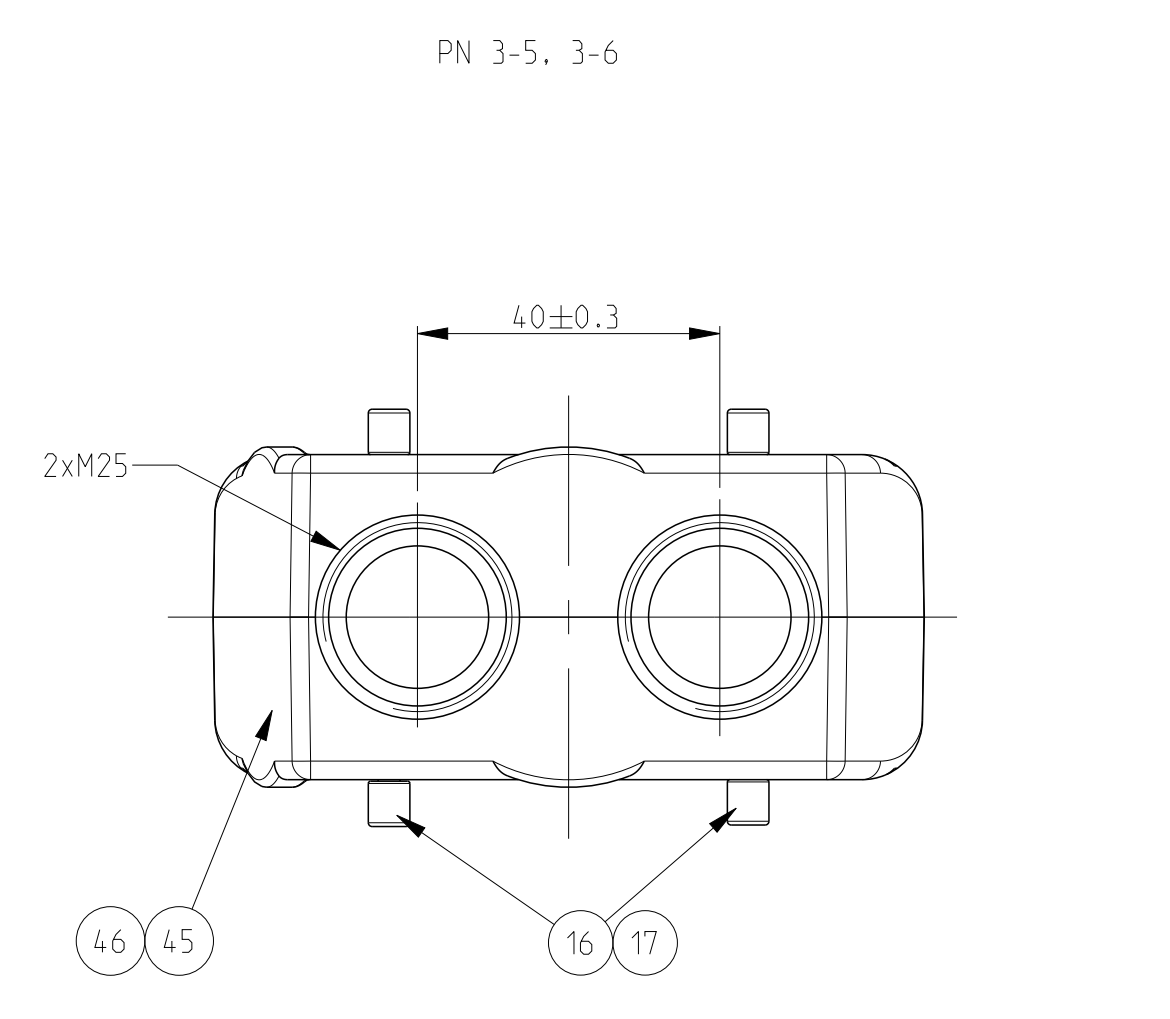
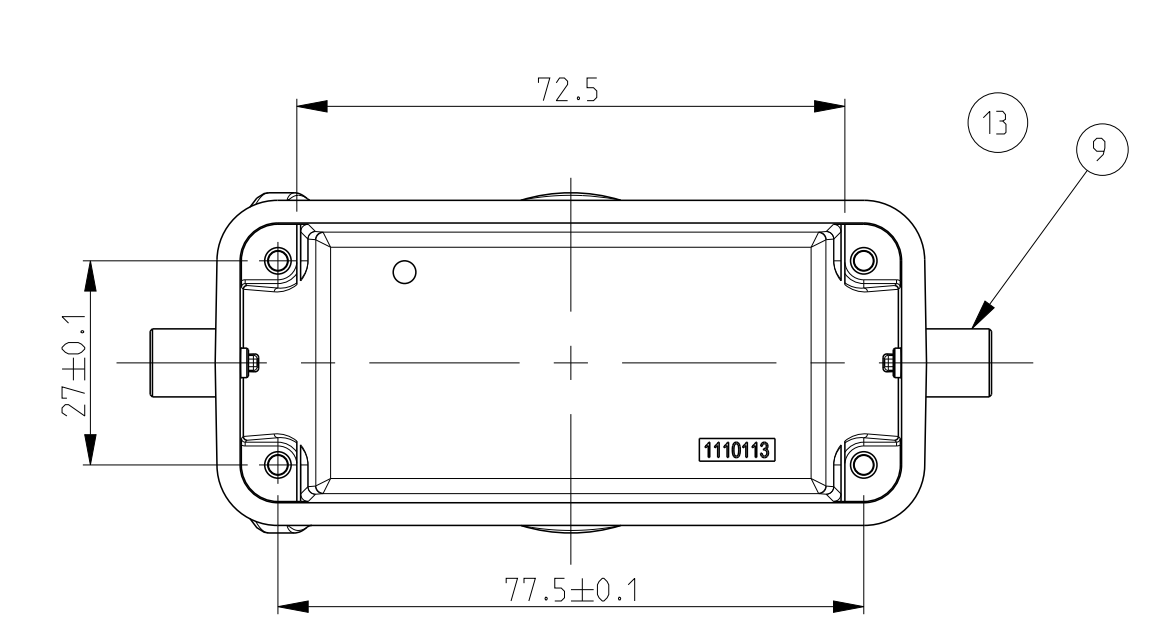


REVISIONS				
REV	DATE	DESCRIPTION	BY	APPD
A20	29JAN2017	ECR-16-016696	GEM	MKO
A21	30JAN2018	REVISÉ PER ECR-16-016780	SRG	MKO
A22	23MAR2018	ECR-17-014013	SG	MKO
A23	29JUL2022	ECR-21-123564	RK	JB



Valid only for PN 2-7 and 2-8
 Landing at measure 72.5 (20mm Deep) milled off : bothsides



- NOTES
- ▲ MATERIAL-HOUSING ALUMINIUM DIECASTING ALLOY
 - ▲ SURFACE-POWDER VARNISH-GREY - VARNISH BLACK
 - 3 VARNISH ON THE INSIDE NOT NECESSARY
 - ▲ WITH OUT TE LOGO
 - ▲ PACKAGING QUANTITY 5 PIECES IN A BOX

REV	QTY	DESCRIPTION	MATERIAL	SURFACE	COLOR	ITEM NO	NOTES
1	1	HD-K HOOD	ALUMINIUM	ALUMINIUM OXIDE	BLACK	46	
1	1	HD HOOD	ALUMINIUM	ALUMINIUM OXIDE	GREY	45	
1	1	HD HOOD	ALUMINIUM	ALUMINIUM OXIDE	BLACK	44	W ITH OUT LOGO&DRILLING
1	1	HD HOOD	ALUMINIUM	ALUMINIUM OXIDE	GREY	43	W ITH OUT LOGO&DRILLING
1	1	HD HOOD	ALUMINIUM	ALUMINIUM OXIDE	GREY	42	
1	1	HD HOOD	ALUMINIUM	ALUMINIUM OXIDE	INPAINTED	41	SINGLE PART
1	1	HD HOOD	ALUMINIUM	ALUMINIUM OXIDE	GREY	40	3xM20
1	1	LB-CLIP BOLT	STEEL	ZINC PLATED	BLUE	39	M5
1	1	HD-K HOOD	ALUMINIUM	ALUMINIUM OXIDE	BLACK	38	
1	1	HD-K HOOD	ALUMINIUM	ALUMINIUM OXIDE	BLACK	37	
1	1	HD HOOD	ALUMINIUM	ALUMINIUM OXIDE	GREY	36	W ITH OUT TE-LOGO&DRILLING
1	1	HD HOOD	ALUMINIUM	ALUMINIUM OXIDE	GREY	35	W ITH OUT TE-LOGO&DRILLING
1	1	HD HOOD	ALUMINIUM	ALUMINIUM OXIDE	GREY	34	W ITH OUT TE-LOGO&DRILLING
1	1	HD HOOD	ALUMINIUM	ALUMINIUM OXIDE	GREY	33	
1	1	ZB-CLIP POSITIONER	STAINLESS STEEL			32	
1	1	ZB-CLIP POSITIONER	STEEL	ZINC PLATED	BLUE	31	
1	1	ZB-LOCKING CLIP	STAINLESS STEEL	BLANK		30	
1	1	ZB-LOCKING CLIP	STEEL	ZINC PLATED	BLUE	29	
1	1	LB-SLIDE SPOOL	STEEL	ZINC PLATED	BLUE	28	
1	1	LB-CLIP BOLT	STAINLESS STEEL	BLANK		27	
1	1	LB-CLIP BOLT	STEEL	ZINC PLATED	BLUE	26	
1	1	VS-CLIP SPRING RIGHT	STAINLESS STEEL	BLANK		25	
1	1	VS-CLIP SPRING RIGHT	STEEL	ZINC PLATED	BLUE	24	
1	1	VS-CLIP SPRING LEFT	STAINLESS STEEL	BLANK		23	
1	1	VS-CLIP SPRING LEFT	STEEL	ZINC PLATED	BLUE	22	
1	1	VS-CLIP POSITIONER	STAINLESS STEEL	BLANK		21	
1	1	VS-CLIP POSITIONER	STEEL	ZINC PLATED	BLUE	20	
1	1	VS-LOCKING CLIP	STAINLESS STEEL	BLANK		19	
1	1	VS-LOCKING CLIP	STEEL	ZINC PLATED	BLUE	18	
1	1	VS-CLIP BOLT	STAINLESS STEEL	BLANK		17	
1	1	VS-CLIP BOLT	STEEL	ZINC PLATED	BLUE	16	
1	1	HD HOOD	ALUMINIUM	ALUMINIUM OXIDE	GREY	15	W ITH OUT TE-LOGO&DRILLING
1	1	HD HOOD	ALUMINIUM	ALUMINIUM OXIDE	GREY	14	W ITH OUT TE-LOGO&DRILLING
1	1	HD HOOD	ALUMINIUM	ALUMINIUM OXIDE	GREY	13	W ITH OUT TE-LOGO&DRILLING
1	1	HD HOOD	ALUMINIUM	ALUMINIUM OXIDE	GREY	12	W ITH OUT TE-LOGO&DRILLING
1	1	HD HOOD	ALUMINIUM	ALUMINIUM OXIDE	GREY	11	
1	1	HD HOOD	ALUMINIUM	ALUMINIUM OXIDE	GREY	10	
1	1	HD-K HOOD	ALUMINIUM	ALUMINIUM OXIDE	BLACK	9	
1	1	HD-K HOOD	ALUMINIUM	ALUMINIUM OXIDE	BLACK	8	
1	1	HD-K HOOD	ALUMINIUM	ALUMINIUM OXIDE	BLACK	7	
1	1	HD-K HOOD	ALUMINIUM	ALUMINIUM OXIDE	BLACK	6	
1	1	HD-K HOOD	ALUMINIUM	ALUMINIUM OXIDE	BLACK	5	
1	1	HD HOOD	ALUMINIUM	ALUMINIUM OXIDE	GREY	4	
1	1	HD HOOD	ALUMINIUM	ALUMINIUM OXIDE	GREY	3	
1	1	HD HOOD	ALUMINIUM	ALUMINIUM OXIDE	GREY	2	
1	1	HD HOOD	ALUMINIUM	ALUMINIUM OXIDE	GREY	1	

REV	QTY	DESCRIPTION	MATERIAL	SURFACE	COLOR	ITEM NO	NOTES
3-6	1	HD-K HOOD	ALUMINIUM	ALUMINIUM OXIDE	BLACK	47	M5
3-6	1	HD-K HOOD	ALUMINIUM	ALUMINIUM OXIDE	BLACK	46	
3-6	1	HD-K HOOD	ALUMINIUM	ALUMINIUM OXIDE	GREY	45	
3-6	1	HD-K HOOD	ALUMINIUM	ALUMINIUM OXIDE	BLACK	44	W ITH OUT LOGO&DRILLING
3-6	1	HD-K HOOD	ALUMINIUM	ALUMINIUM OXIDE	GREY	43	W ITH OUT LOGO&DRILLING
3-6	1	HD-K HOOD	ALUMINIUM	ALUMINIUM OXIDE	GREY	42	
3-6	1	HD-K HOOD	ALUMINIUM	ALUMINIUM OXIDE	INPAINTED	41	SINGLE PART
3-6	1	HD-K HOOD	ALUMINIUM	ALUMINIUM OXIDE	GREY	40	3xM20
3-6	1	LB-CLIP BOLT	STEEL	ZINC PLATED	BLUE	39	M5
3-6	1	HD-K HOOD	ALUMINIUM	ALUMINIUM OXIDE	BLACK	38	
3-6	1	HD-K HOOD	ALUMINIUM	ALUMINIUM OXIDE	BLACK	37	
3-6	1	HD HOOD	ALUMINIUM	ALUMINIUM OXIDE	GREY	36	W ITH OUT TE-LOGO&DRILLING
3-6	1	HD HOOD	ALUMINIUM	ALUMINIUM OXIDE	GREY	35	W ITH OUT TE-LOGO&DRILLING
3-6	1	HD HOOD	ALUMINIUM	ALUMINIUM OXIDE	GREY	34	W ITH OUT TE-LOGO&DRILLING
3-6	1	HD HOOD	ALUMINIUM	ALUMINIUM OXIDE	GREY	33	
3-6	1	ZB-CLIP POSITIONER	STAINLESS STEEL			32	
3-6	1	ZB-CLIP POSITIONER	STEEL	ZINC PLATED	BLUE	31	
3-6	1	ZB-LOCKING CLIP	STAINLESS STEEL	BLANK		30	
3-6	1	ZB-LOCKING CLIP	STEEL	ZINC PLATED	BLUE	29	
3-6	1	LB-SLIDE SPOOL	STEEL	ZINC PLATED	BLUE	28	
3-6	1	LB-CLIP BOLT	STAINLESS STEEL	BLANK		27	
3-6	1	LB-CLIP BOLT	STEEL	ZINC PLATED	BLUE	26	
3-6	1	VS-CLIP SPRING RIGHT	STAINLESS STEEL	BLANK		25	
3-6	1	VS-CLIP SPRING RIGHT	STEEL	ZINC PLATED	BLUE	24	
3-6	1	VS-CLIP SPRING LEFT	STAINLESS STEEL	BLANK		23	
3-6	1	VS-CLIP SPRING LEFT	STEEL	ZINC PLATED	BLUE	22	
3-6	1	VS-CLIP POSITIONER	STAINLESS STEEL	BLANK		21	
3-6	1	VS-CLIP POSITIONER	STEEL	ZINC PLATED	BLUE	20	
3-6	1	VS-LOCKING CLIP	STAINLESS STEEL	BLANK		19	
3-6	1	VS-LOCKING CLIP	STEEL	ZINC PLATED	BLUE	18	
3-6	1	VS-CLIP BOLT	STAINLESS STEEL	BLANK		17	
3-6	1	VS-CLIP BOLT	STEEL	ZINC PLATED	BLUE	16	
3-6	1	HD HOOD	ALUMINIUM	ALUMINIUM OXIDE	GREY	15	W ITH OUT TE-LOGO&DRILLING
3-6	1	HD HOOD	ALUMINIUM	ALUMINIUM OXIDE	GREY	14	W ITH OUT TE-LOGO&DRILLING
3-6	1	HD HOOD	ALUMINIUM	ALUMINIUM OXIDE	GREY	13	W ITH OUT TE-LOGO&DRILLING
3-6	1	HD HOOD	ALUMINIUM	ALUMINIUM OXIDE	GREY	12	W ITH OUT TE-LOGO&DRILLING
3-6	1	HD HOOD	ALUMINIUM	ALUMINIUM OXIDE	GREY	11	
3-6	1	HD HOOD	ALUMINIUM	ALUMINIUM OXIDE	GREY	10	
3-6	1	HD-K HOOD	ALUMINIUM	ALUMINIUM OXIDE	BLACK	9	
3-6	1	HD-K HOOD	ALUMINIUM	ALUMINIUM OXIDE	BLACK	8	
3-6	1	HD-K HOOD	ALUMINIUM	ALUMINIUM OXIDE	BLACK	7	
3-6	1	HD-K HOOD	ALUMINIUM	ALUMINIUM OXIDE	BLACK	6	
3-6	1	HD-K HOOD	ALUMINIUM	ALUMINIUM OXIDE	BLACK	5	
3-6	1	HD HOOD	ALUMINIUM	ALUMINIUM OXIDE	GREY	4	
3-6	1	HD HOOD	ALUMINIUM	ALUMINIUM OXIDE	GREY	3	
3-6	1	HD HOOD	ALUMINIUM	ALUMINIUM OXIDE	GREY	2	
3-6	1	HD HOOD	ALUMINIUM	ALUMINIUM OXIDE	GREY	1	

THIS DRAWING IS A CONTROLLED DOCUMENT. DATE: 01.01.2002. DRAWN BY: SCHNEIDER. CHECKED BY: SCHNEIDER.

TE Connectivity

HOOD HD-4.0-STO/STS-M32/M4.0-G

SCALE: 1:1. SHEET: 1 OF 1. REV: A23