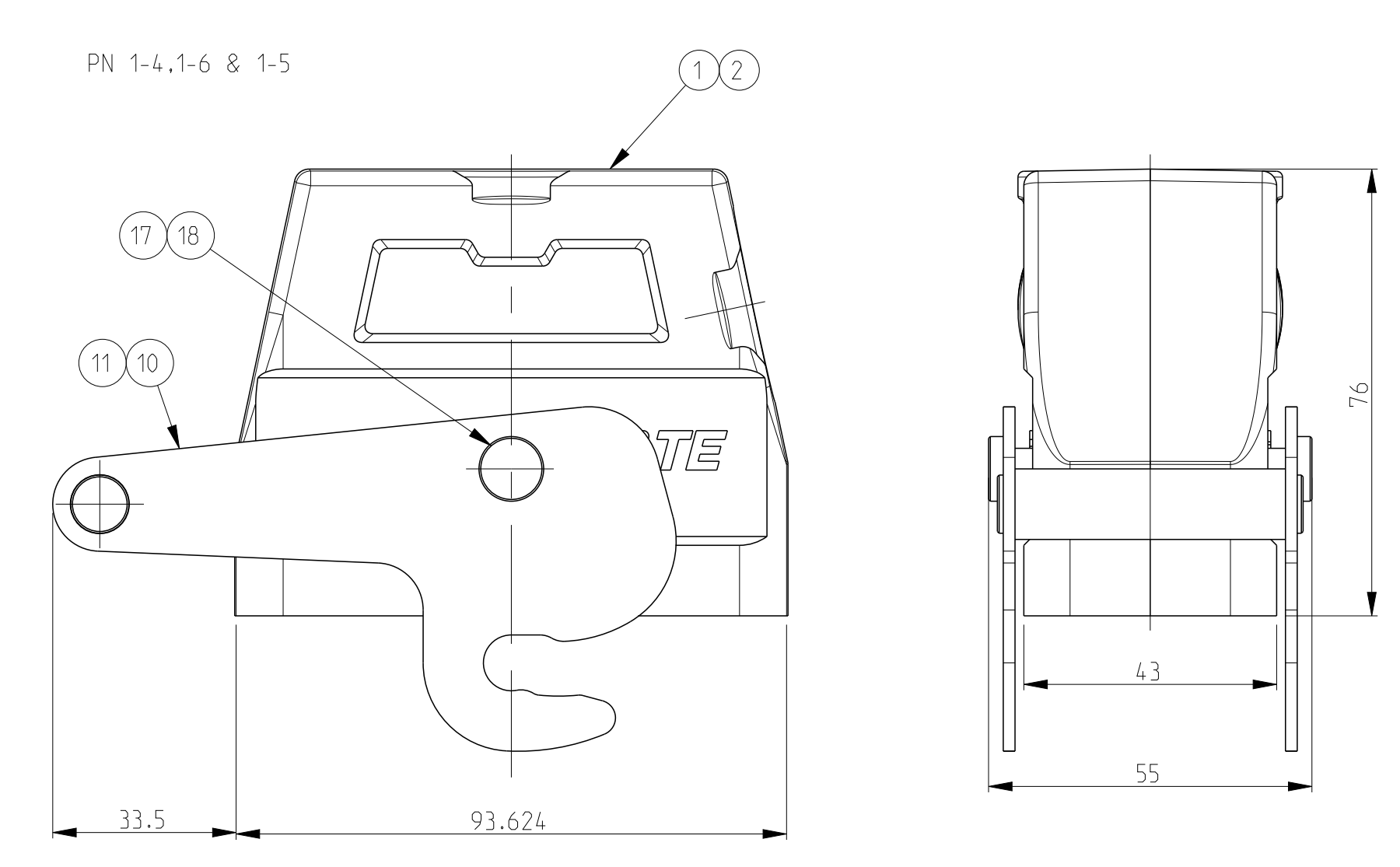
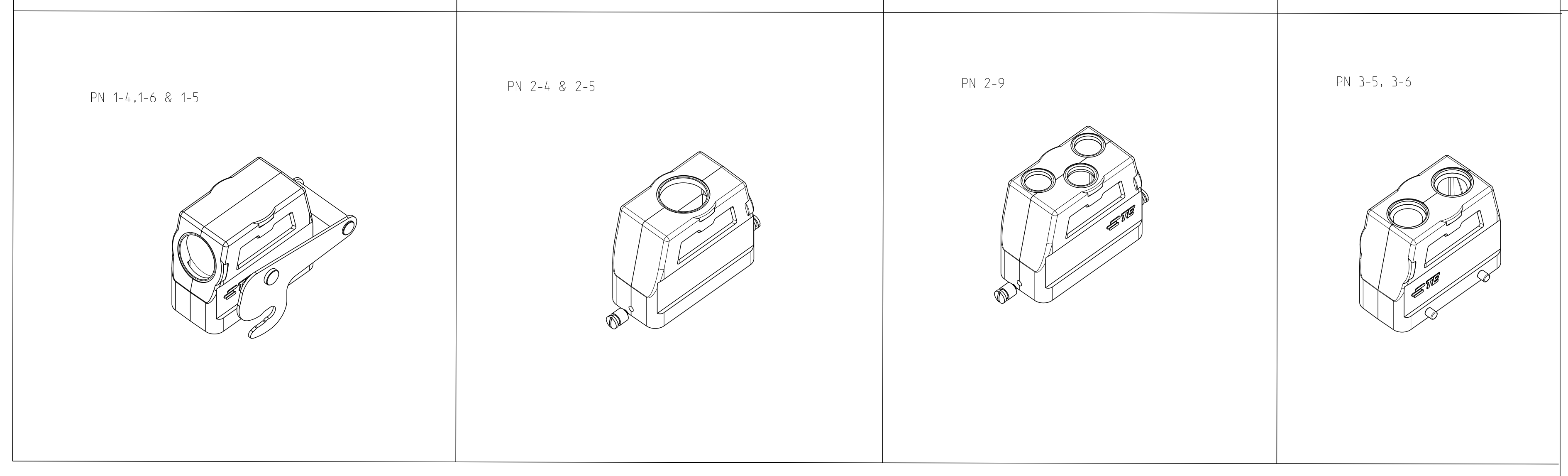
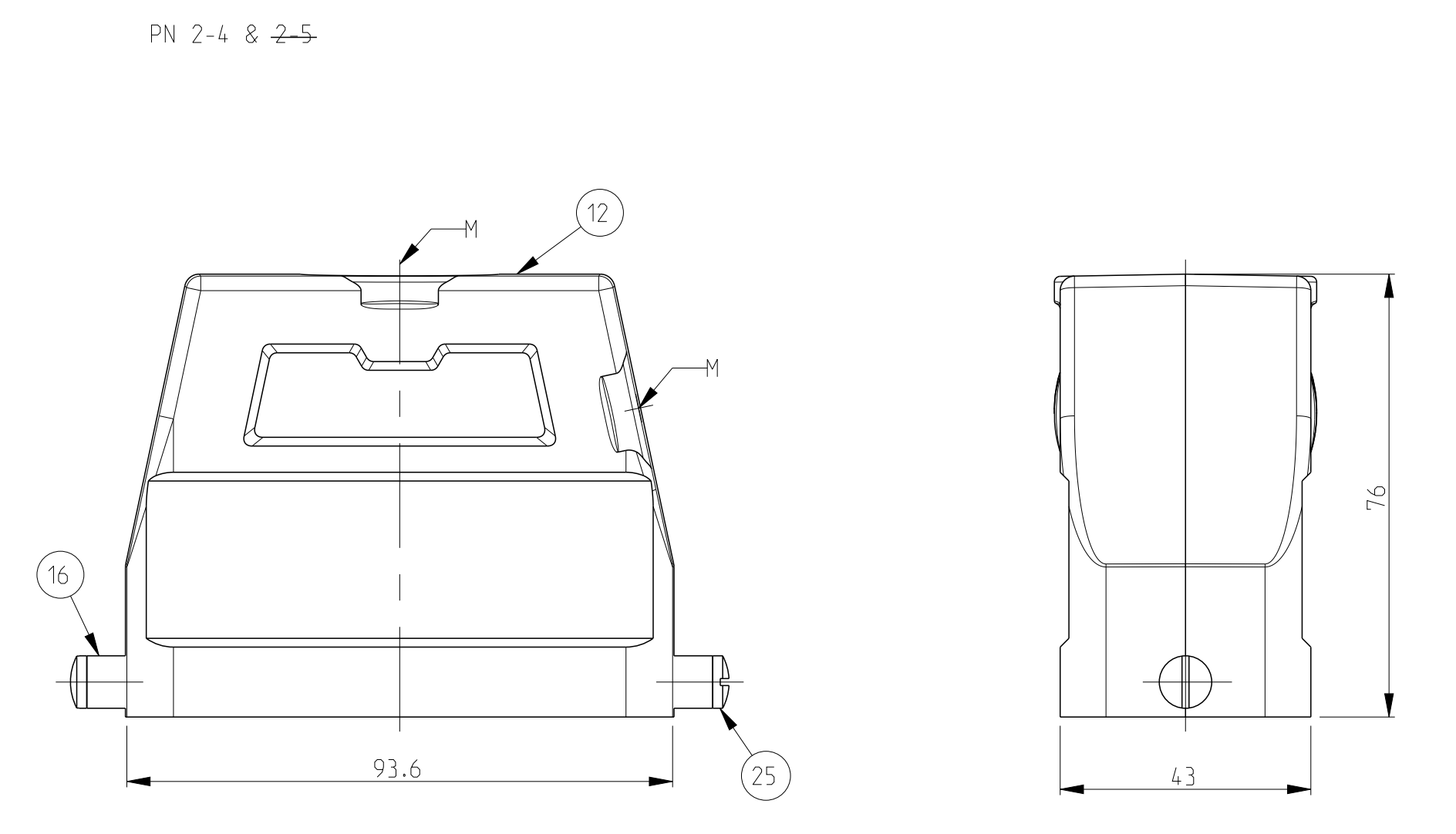
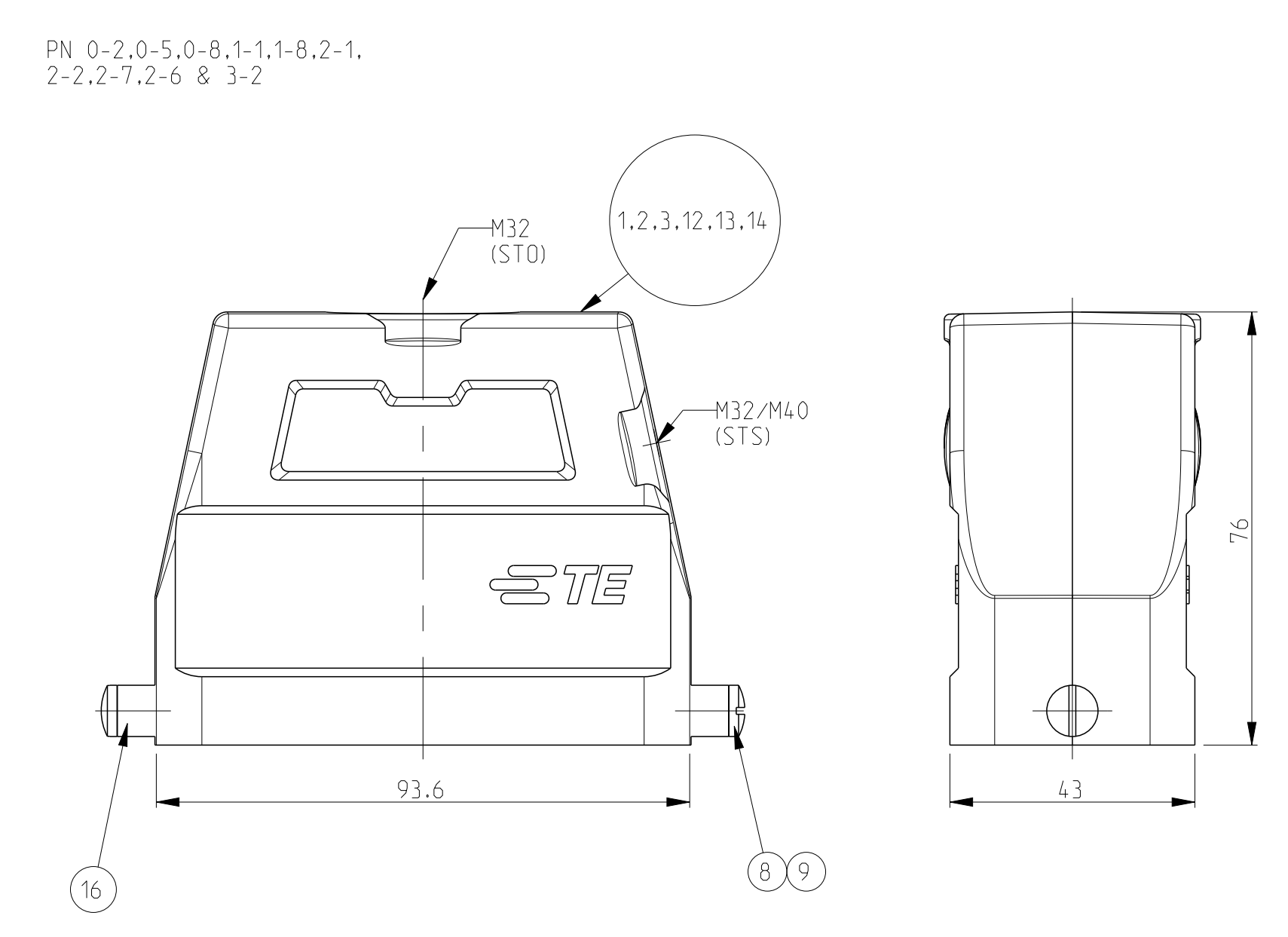
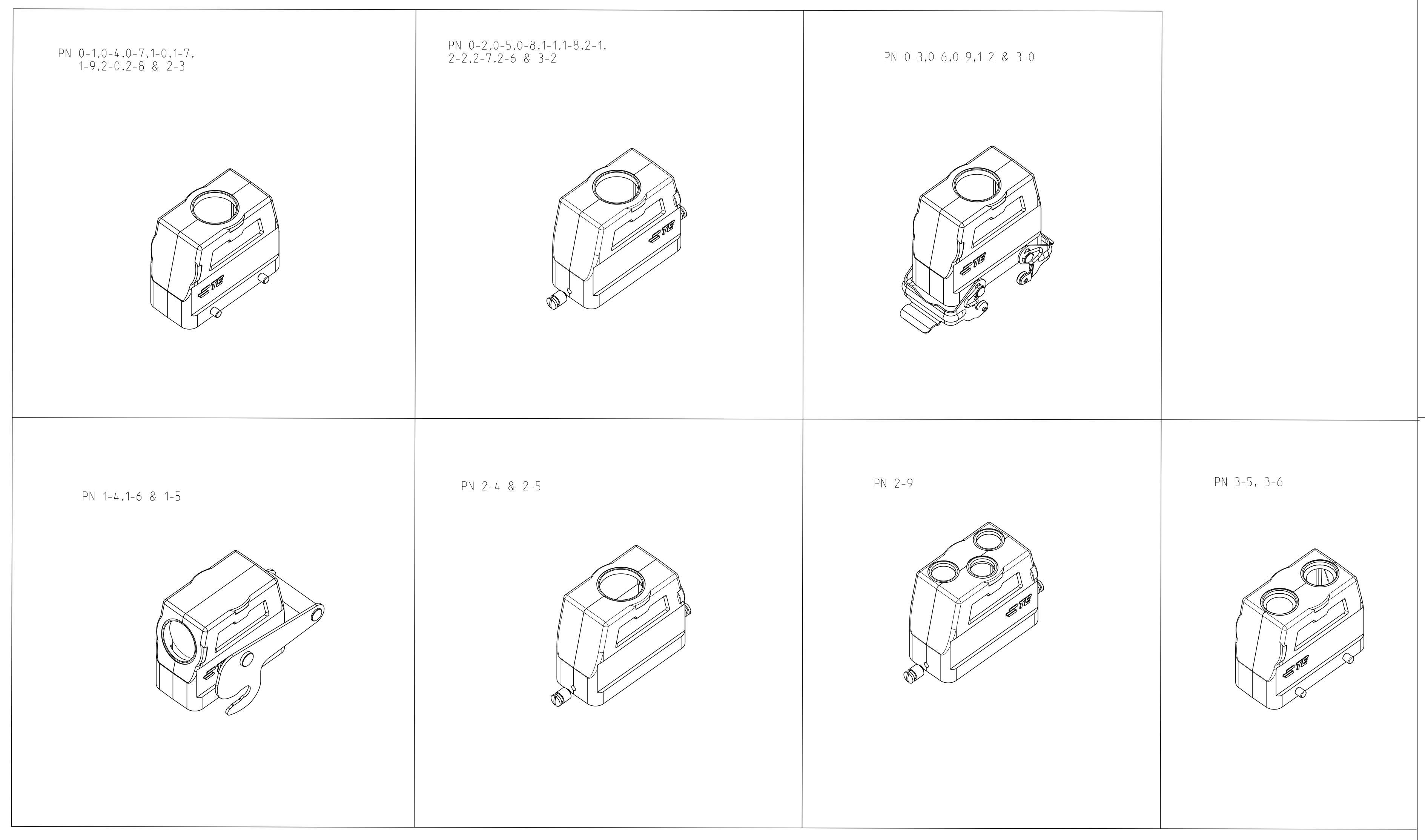
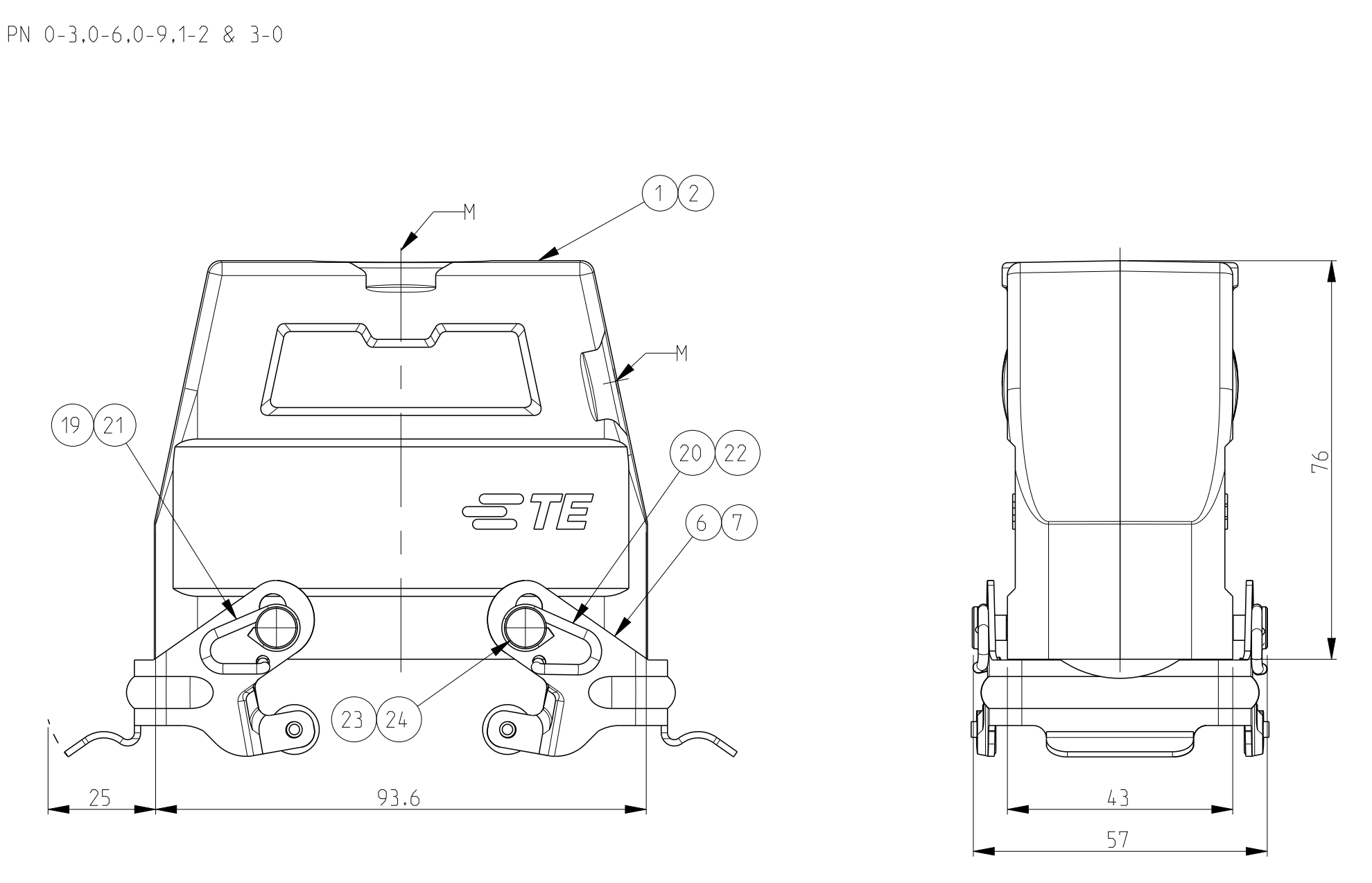
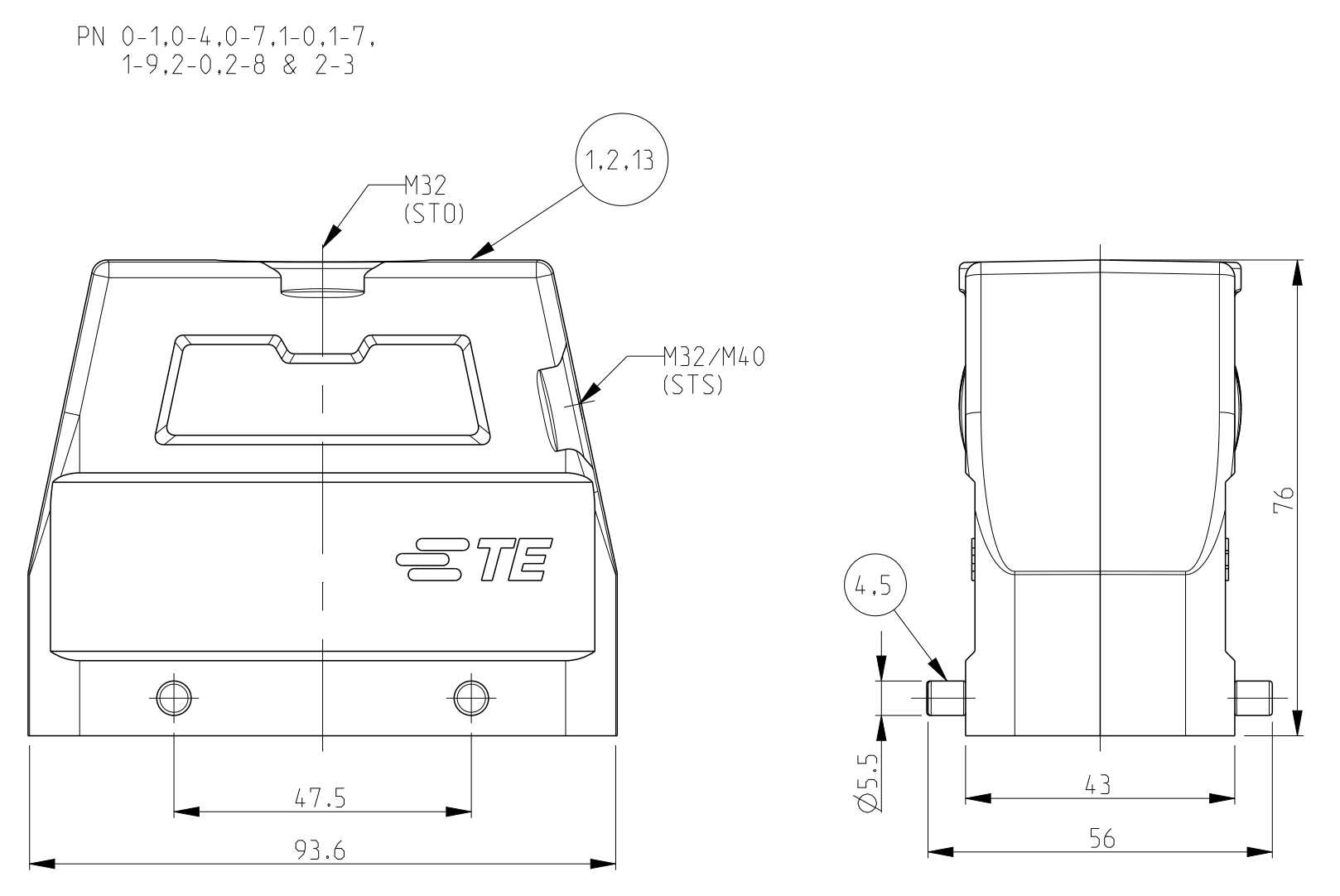
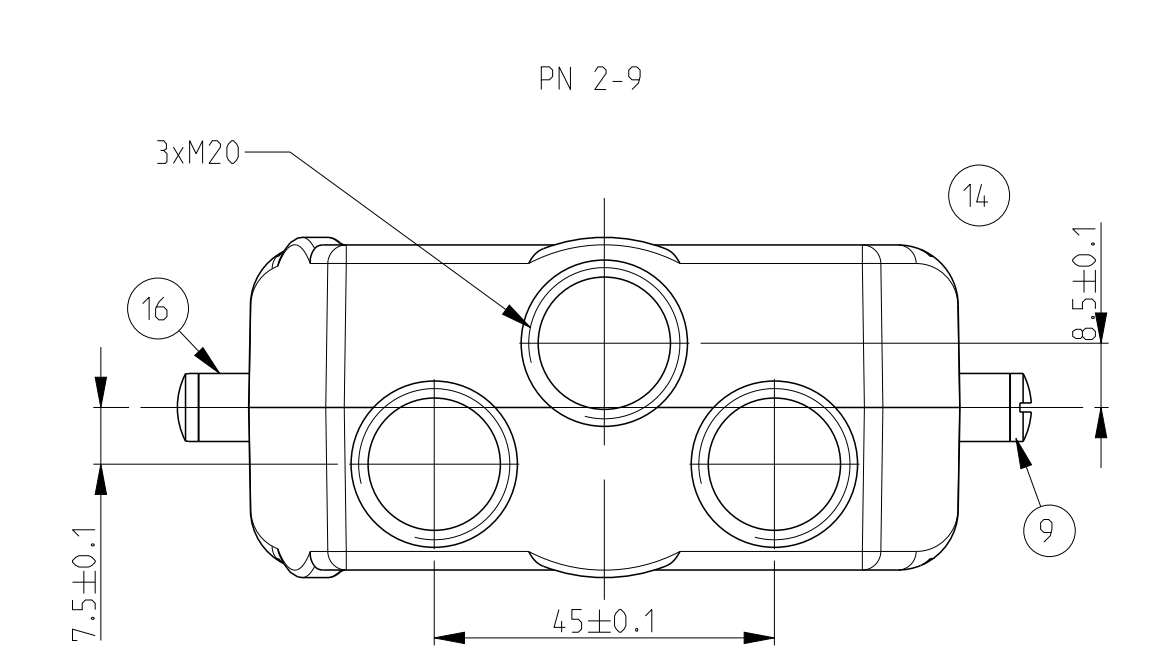
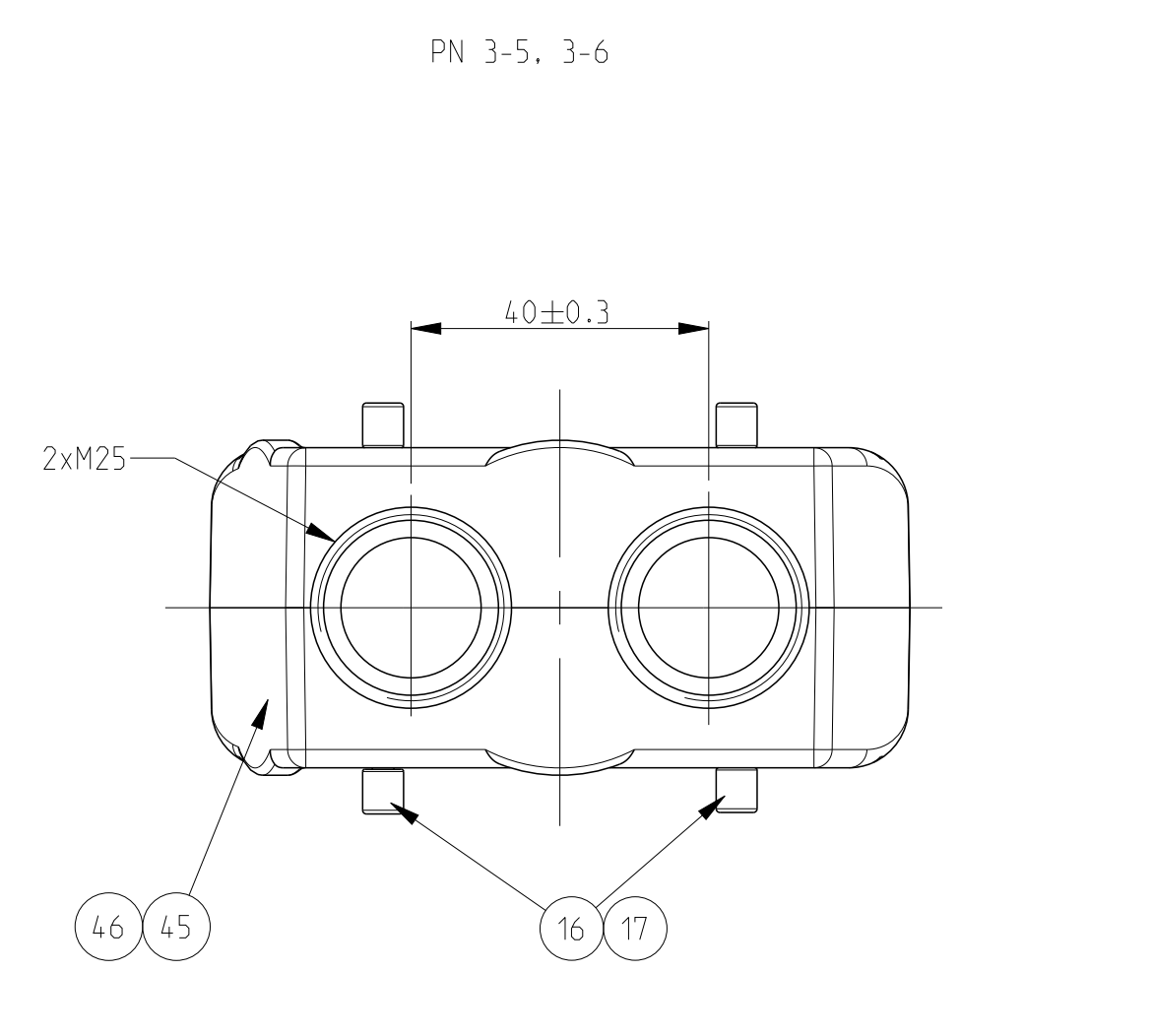
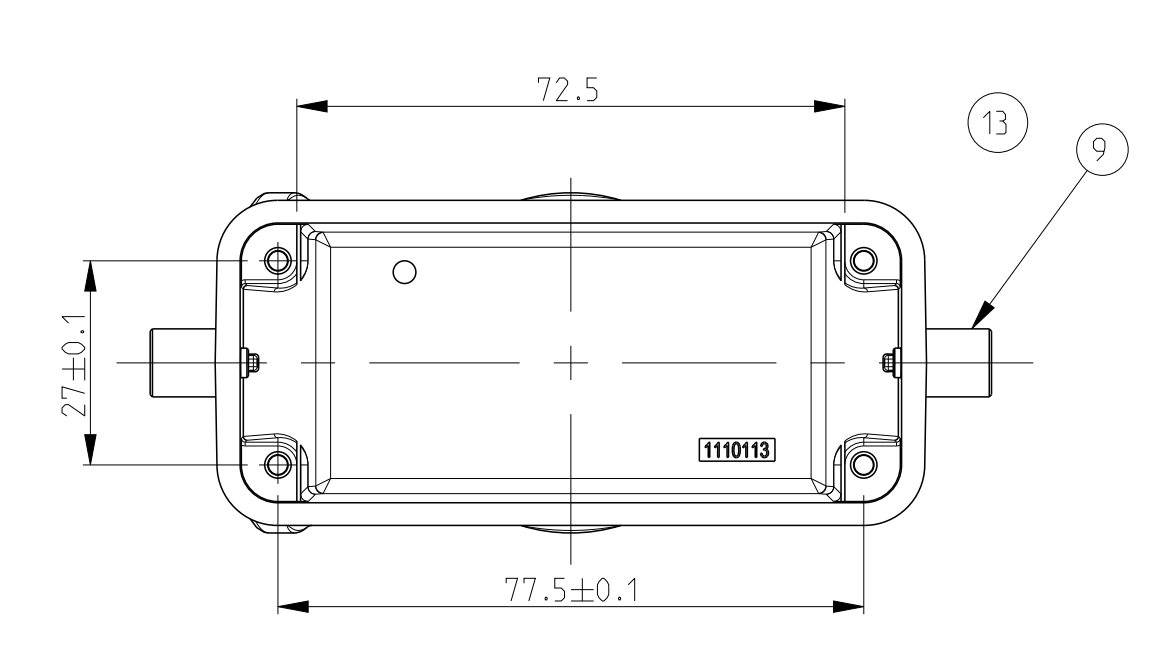


REVISIONS				
P	LTN	DESCRIPTION	DATE	APPD
A21	REVISED PER ECR-16-016780		30JAN2018	SRG MKO
A22	ECR-17-014013		23MAR2018	SG MKO
A23	ECR-21-123564		29JUL2022	RK JB
A24	REVISED PER ECR-24-201358		18APR2024	RK WR



Valid only for PN 2-7 and 2-8
 Landing at measure 72.5 (20mm Deep) milled off : bothsides



QTY	DESCRIPTION	MATERIAL	SURFACE	COLOR	ITEM NO	NOTES
1	HD-K HOOD	ALUMINIUM	BLANK	BLACK	47	M5
1	HD HOOD	ALUMINIUM	ALUMINIUM OXIDE	GREY	46	
1	HD HOOD	ALUMINIUM	ALUMINIUM OXIDE	BLACK	45	
1	HD HOOD	ALUMINIUM	ALUMINIUM OXIDE	BLACK	44	W ITH OUT LOGO&DRILLING
1	HD HOOD	ALUMINIUM	ALUMINIUM OXIDE	BLACK	43	W ITH OUT LOGO&DRILLING
1	HD HOOD	ALUMINIUM	ALUMINIUM OXIDE	BLACK	42	
1	HD HOOD	ALUMINIUM	ALUMINIUM OXIDE	BLACK	41	SINGLE PART
1	HD HOOD	ALUMINIUM	ALUMINIUM OXIDE	BLACK	40	3xM20
1	LD-CLIP BOLT	STEEL	ZINC PLATED	BLUE	39	M5
1	HD-K HOOD	ALUMINIUM	ALUMINIUM OXIDE	BLACK	38	
1	HD-K HOOD	ALUMINIUM	ALUMINIUM OXIDE	BLACK	37	
1	HD HOOD	ALUMINIUM	ALUMINIUM OXIDE	BLACK	36	W ITH OUT TE-LOGO&DRILLING
1	HD HOOD	ALUMINIUM	ALUMINIUM OXIDE	BLACK	35	W ITH OUT TE-LOGO&DRILLING
1	HD HOOD	ALUMINIUM	ALUMINIUM OXIDE	BLACK	34	W ITH OUT TE-LOGO&DRILLING
1	HD HOOD	ALUMINIUM	ALUMINIUM OXIDE	BLACK	33	
1	ZB-CLIP POSITIONER	STAINLESS STEEL	ALUMINIUM OXIDE	BLACK	32	
1	ZB-CLIP POSITIONER	STEEL	ZINC PLATED	BLUE	31	
1	ZB-LOCKING CLIP	STAINLESS STEEL	BLANK	BLACK	30	
1	ZB-LOCKING CLIP	STEEL	ZINC PLATED	BLUE	29	
1	ZB-LOCKING CLIP	STEEL	ZINC PLATED	BLUE	28	
1	LD-CLIP BOLT	STAINLESS STEEL	BLANK	BLACK	27	
1	LD-CLIP BOLT	STEEL	ZINC PLATED	BLUE	26	
1	VS-CLIP SPRING RIGHT	STAINLESS STEEL	BLANK	BLACK	25	
1	VS-CLIP SPRING RIGHT	STEEL	ZINC PLATED	BLUE	24	
1	VS-CLIP SPRING LEFT	STAINLESS STEEL	BLANK	BLACK	23	
1	VS-CLIP SPRING LEFT	STEEL	ZINC PLATED	BLUE	22	
1	VS-CLIP POSITIONER	STAINLESS STEEL	BLANK	BLACK	21	
1	VS-CLIP POSITIONER	STEEL	ZINC PLATED	BLUE	20	
1	VS-LOCKING CLIP	STAINLESS STEEL	BLANK	BLACK	19	
1	VS-LOCKING CLIP	STEEL	ZINC PLATED	BLUE	18	
1	VS-CLIP BOLT	STAINLESS STEEL	BLANK	BLACK	17	
1	VS-CLIP BOLT	STEEL	ZINC PLATED	BLUE	16	
1	HD HOOD	ALUMINIUM	ALUMINIUM OXIDE	GREY	15	W ITH OUT TE-LOGO&DRILLING
1	HD HOOD	ALUMINIUM	ALUMINIUM OXIDE	GREY	14	W ITH OUT TE-LOGO&DRILLING
1	HD HOOD	ALUMINIUM	ALUMINIUM OXIDE	GREY	13	W ITH OUT TE-LOGO&DRILLING
1	HD HOOD	ALUMINIUM	ALUMINIUM OXIDE	GREY	12	W ITH OUT TE-LOGO&DRILLING
1	HD HOOD	ALUMINIUM	ALUMINIUM OXIDE	GREY	11	
1	HD HOOD	ALUMINIUM	ALUMINIUM OXIDE	GREY	10	
1	HD-K HOOD	ALUMINIUM	ALUMINIUM OXIDE	BLACK	9	
1	HD-K HOOD	ALUMINIUM	ALUMINIUM OXIDE	BLACK	8	
1	HD-K HOOD	ALUMINIUM	ALUMINIUM OXIDE	BLACK	7	
1	HD-K HOOD	ALUMINIUM	ALUMINIUM OXIDE	BLACK	6	
1	HD-K HOOD	ALUMINIUM	ALUMINIUM OXIDE	BLACK	5	
1	HD HOOD	ALUMINIUM	ALUMINIUM OXIDE	BLACK	4	
1	HD HOOD	ALUMINIUM	ALUMINIUM OXIDE	BLACK	3	
1	HD HOOD	ALUMINIUM	ALUMINIUM OXIDE	BLACK	2	
1	HD HOOD	ALUMINIUM	ALUMINIUM OXIDE	BLACK	1	

- NOTES
- ▲ MATERIAL-HOUSING ALUMINIUM DIECASTING ALLOY
 - ▲ SURFACE-POWDER VARNISH-GREY - VARNISH BLACK
 - 3 VARNISH ON THE INSIDE NOT NECESSARY
 - ▲ WITH OUT TE LOGO
 - ▲ PACKAGING QUANTITY 5 PIECES IN A BOX

THIS DRAWING IS A CONTROLLED DOCUMENT. DATE: 01.01.2002. DRAWN BY: SCHNEIDER. CHECKED BY: SCHNEIDER.

TE Connectivity

HOOD HD_40-ST0/STS.M32/M4.0.G

SCALE: 1:1. SHEET 1 OF 1. REV: A24.