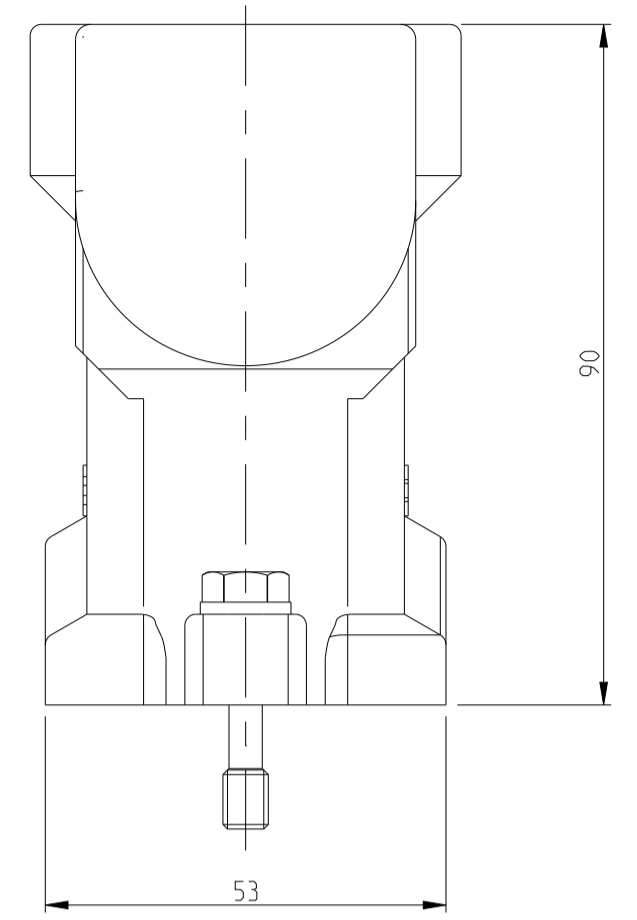
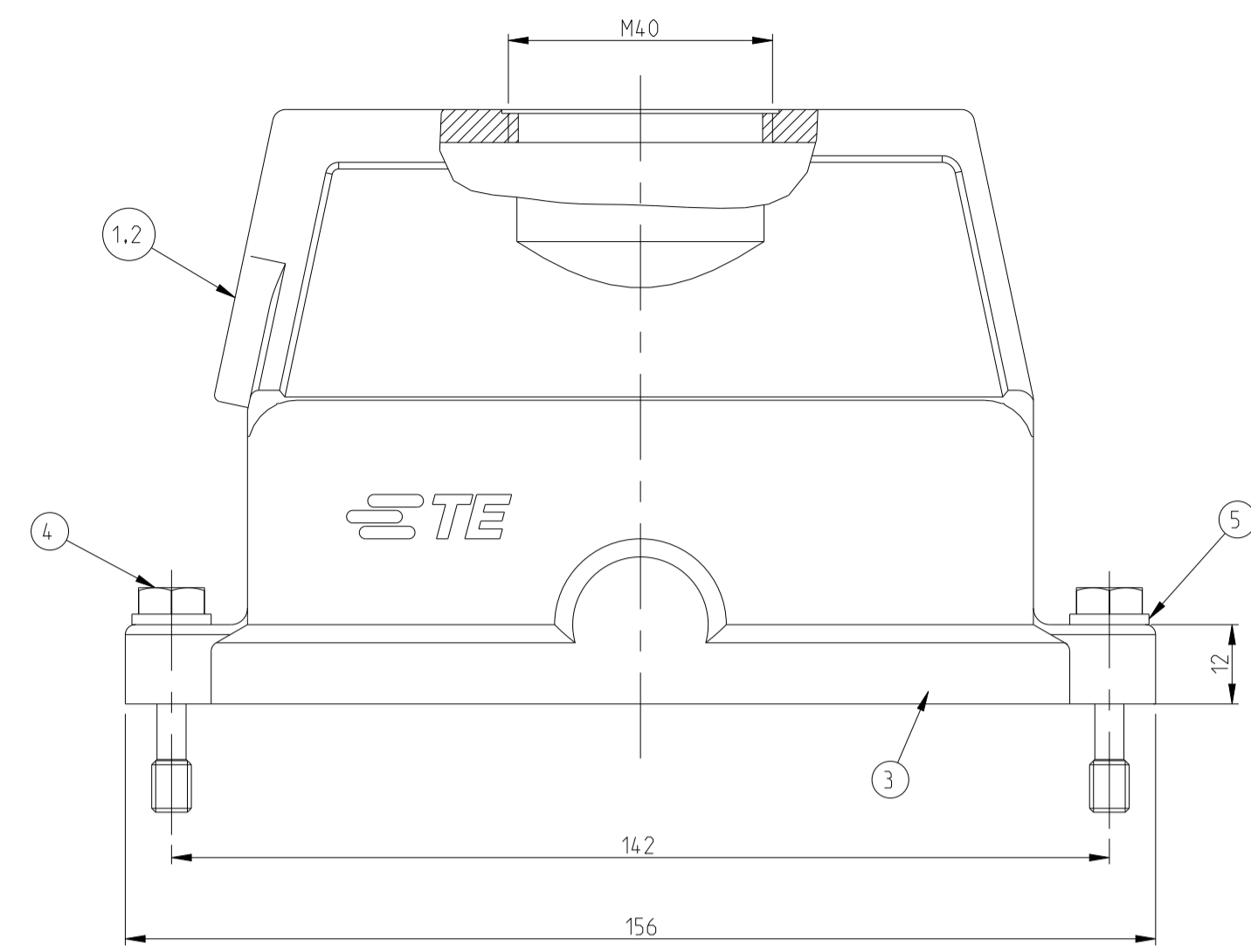
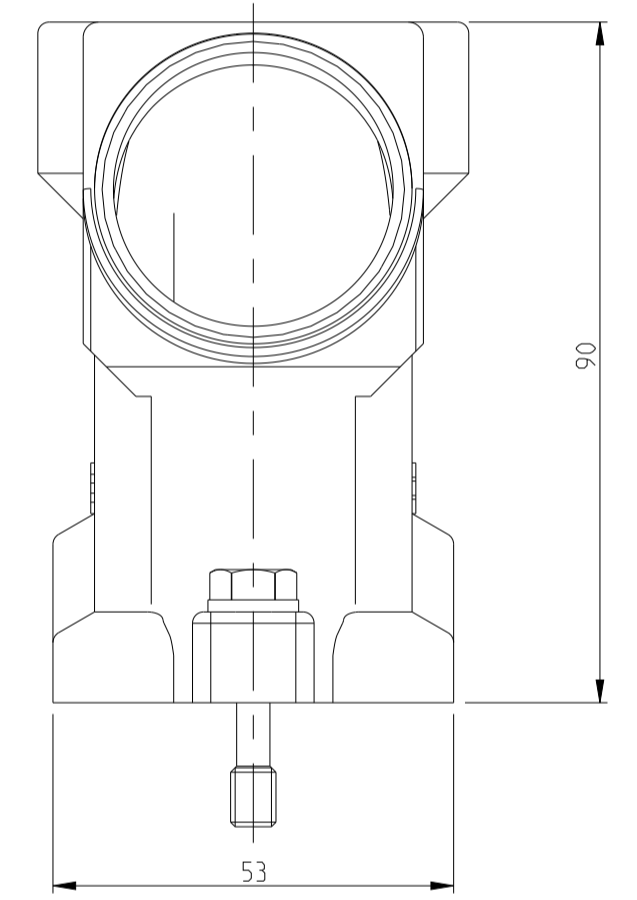
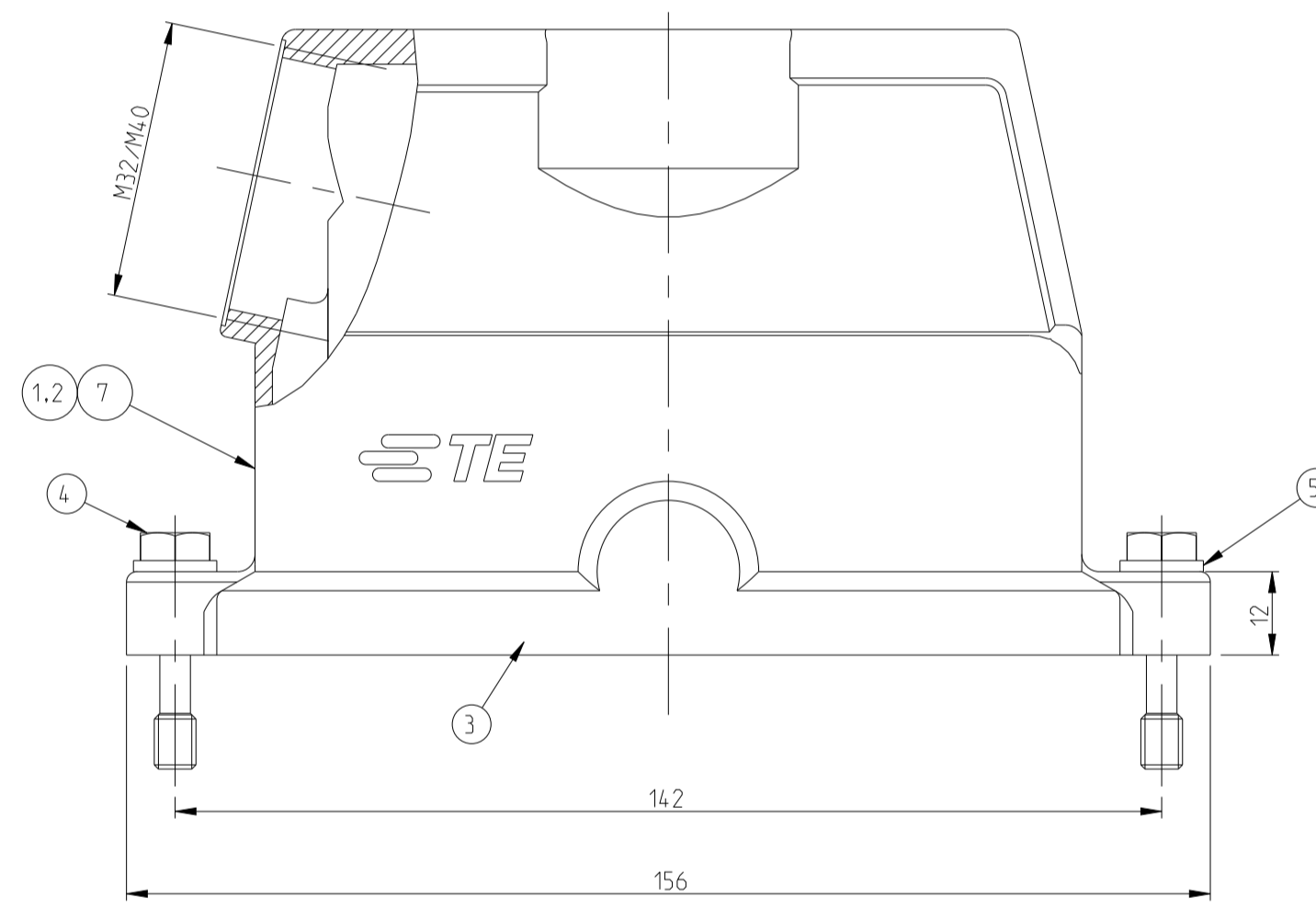


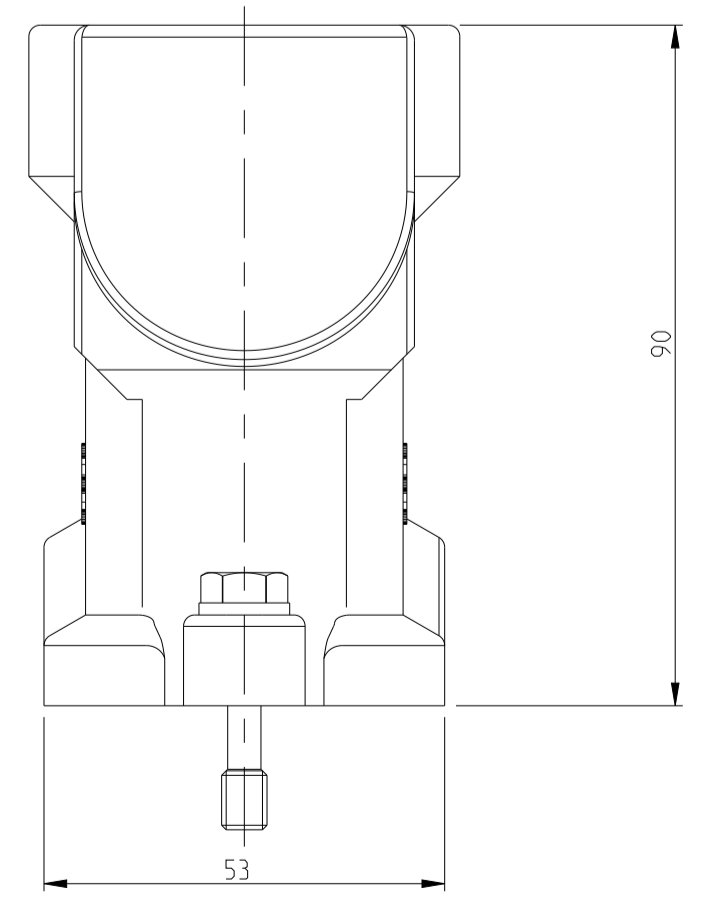
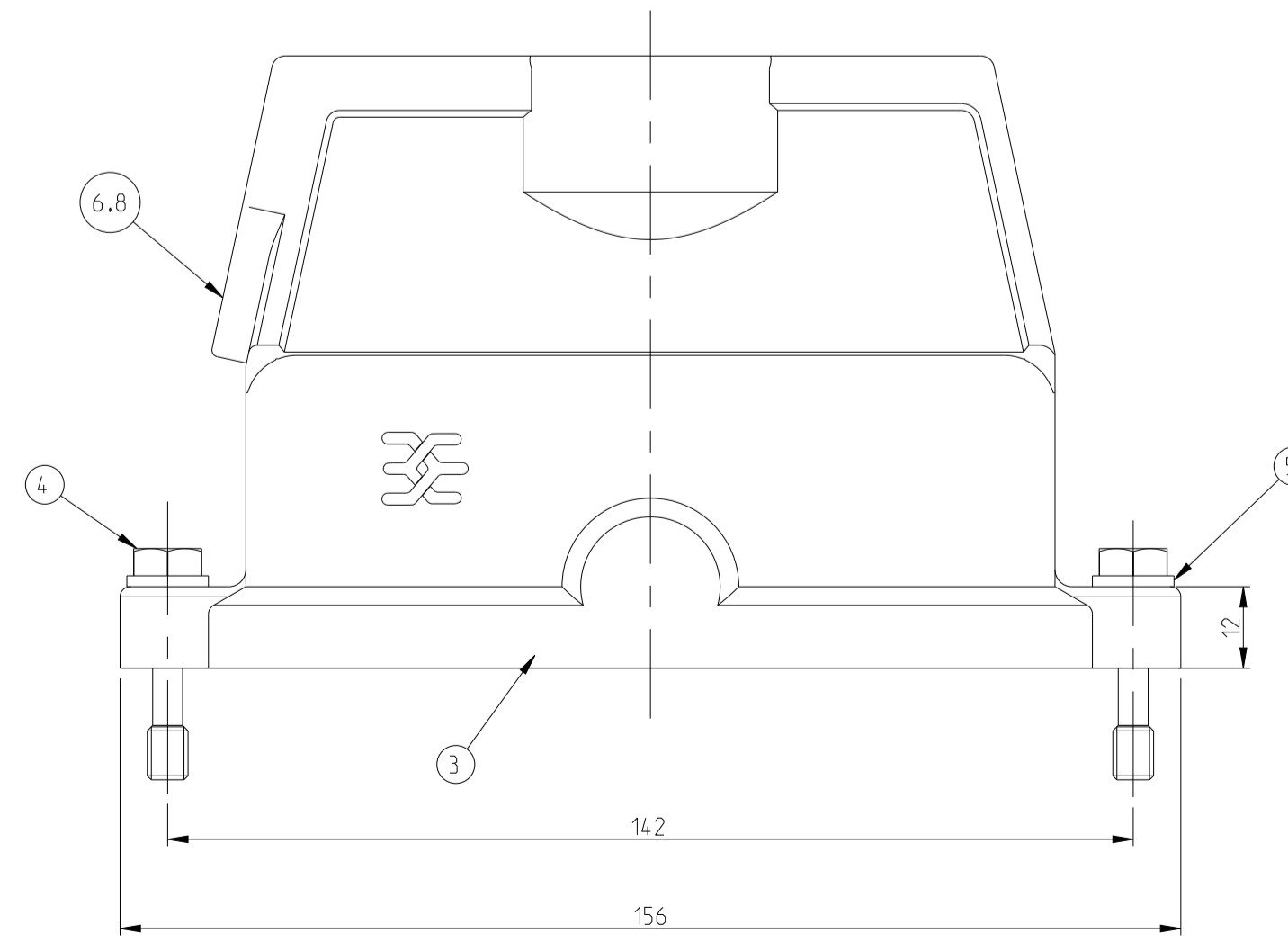
PN 0-1, 0-3 & 0-5



PN 0-2,0-4 & 0-7



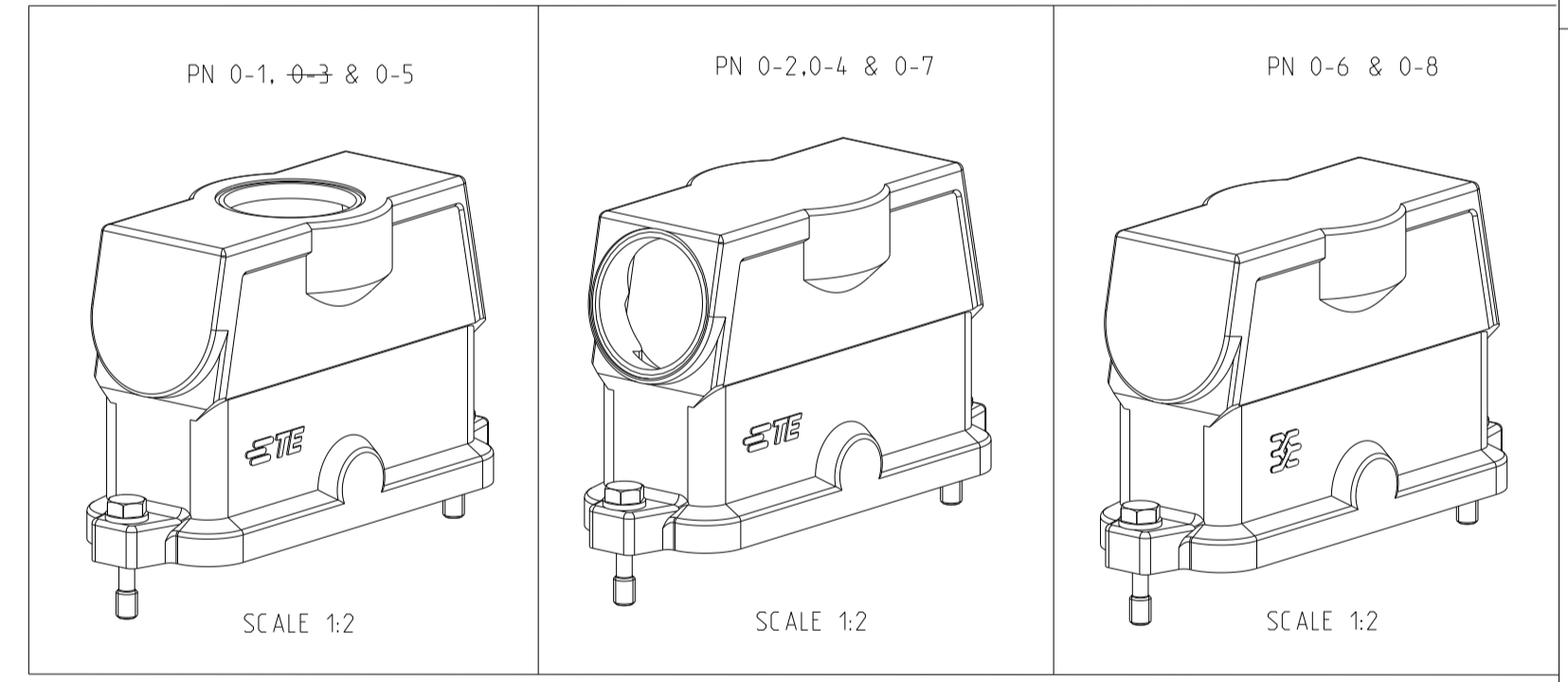
PN 0-6 & 0-8



REVISIONS					
P	LTN	DESCRIPTION	DATE	DWN	APVD
A8		REVISED PER ECR-16-016780	19SEP2017	NG	MKO
A9		REVISED PER ECR-21-123577	21MAR2022	RK	JB
A10		REVISED PER ECR-24-201358	18APR2024	RK	WR

NOTES

- 1 Material: Housing: Aluminum diecasting alloy
seals: Neoprene
- 2 Surface:- Aluminium oxide + Varnish Black
-Grey
- 3 Varnish on the inside not necessary
- ⚠ Special- Logo
- 5 Packaging quantity 5 pieces in a box



QTY	DESCRIPTION	MATERIAL	SURFACE	COLOR	ITEM NO	REMARKS
1	Hood HIP-K	Aluminium	Aluminium oxide	Black	8	Without logo/thread
1	Hood HIP	Aluminium		Without varnish	7	
1	Hood HIP-K	Aluminium	Aluminium oxide	Without varnish	6	Without M-Thread
2	Pane	Stainless steel	Blank		5	B6.4
2	Fixing screw	Stainless steel	Blank		4	M6x30
1	Seal	Neoprene		Black	3	
1	Hood HIP-K	Aluminium	Aluminium oxide	Black	2	
1	Hood HIP	Aluminium		Grey	1	

ORDERING TEXT
 HIP.24/64.ST0.1.M40.G
 HIP.24/64.ST0.1.M40.G
 HIP.24/64.STS.1.M40.G
 HIP-K.24/64.STS.1.M40.G
 HIP-K.24/64.STS.1.M32.G
 HIP-K.24/64.ST
 HIP.24/64.STS.1.M40.G

THIS DRAWING IS A CONTROLLED DOCUMENT. DWN: Schneider 10.09.02
 CHK: Schweiger 10.09.02

STE TE Connectivity

NAME: Hood
 HIP.24/64.1.M32/M40.G

PRODUCT SPEC: 108-74030
 APPLICATION SPEC: 114-74017

SIZE: A1 CAGE CODE: 00779 DRAWING NO: 1106473
 SHEET 1 OF 1

CUSTOMER DRAWING SCALE: 1:1