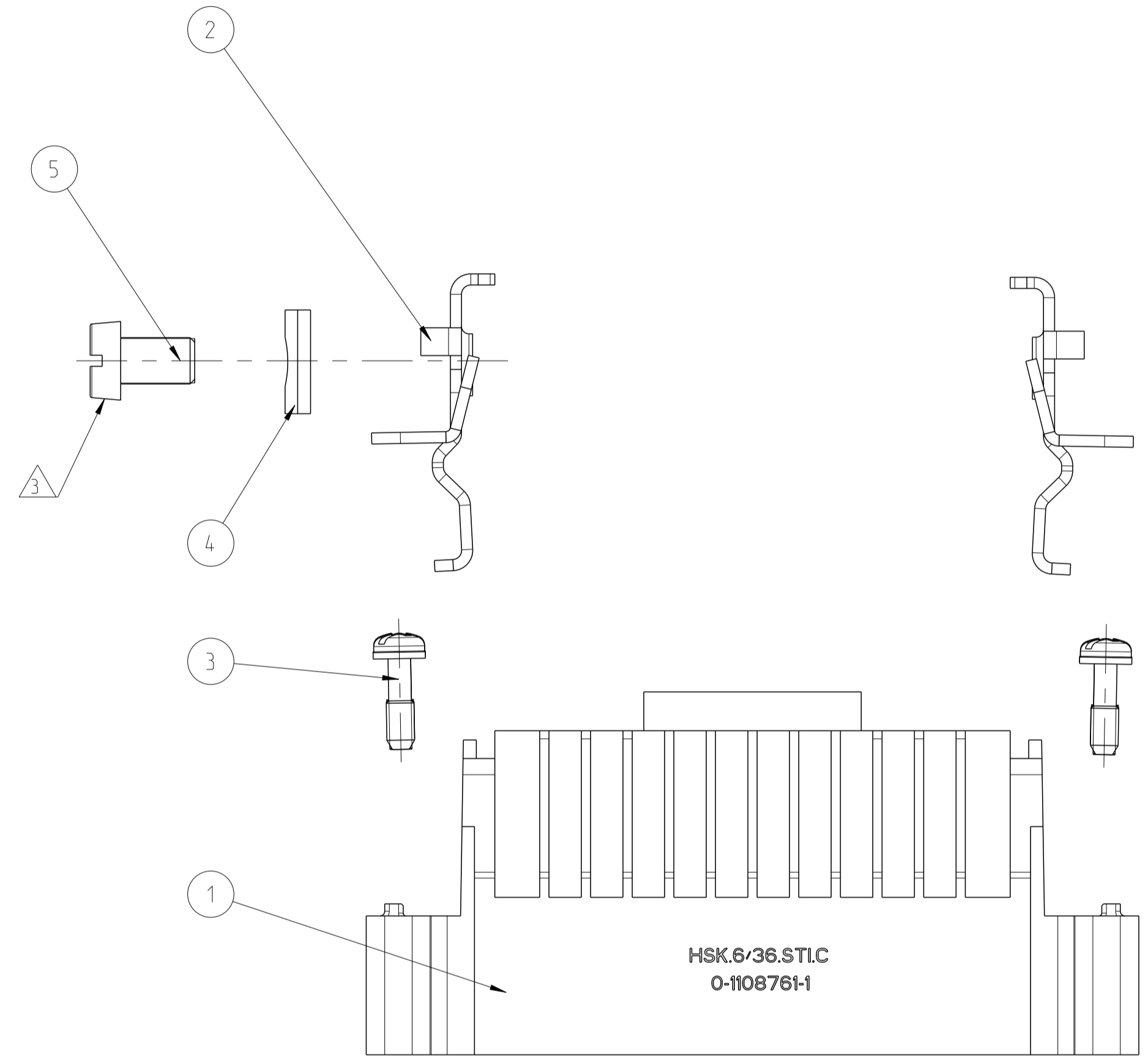
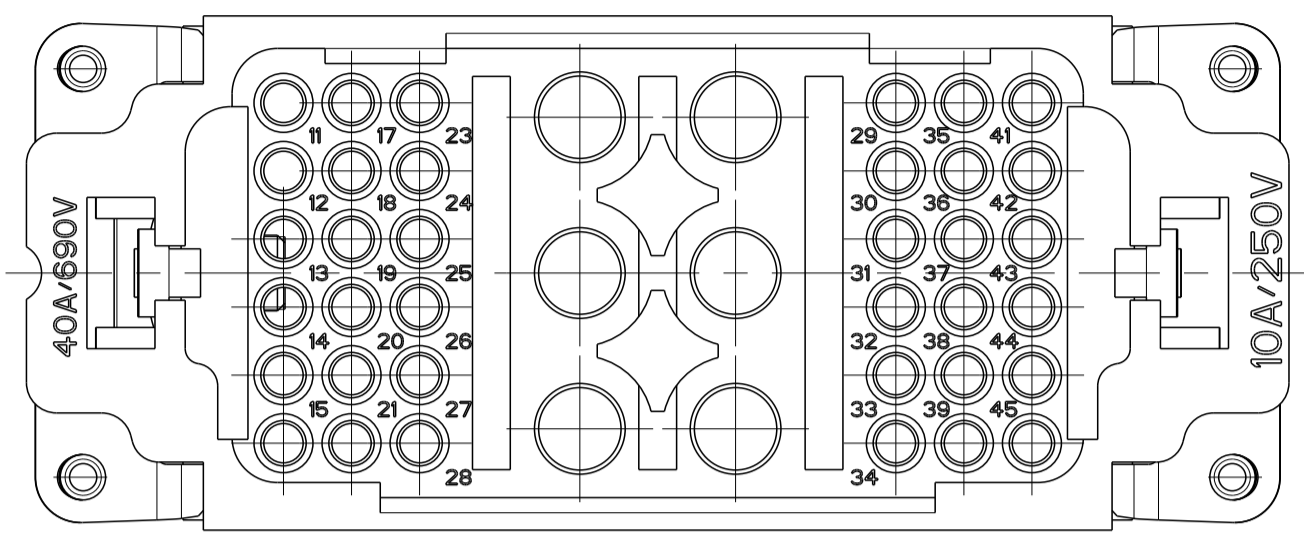
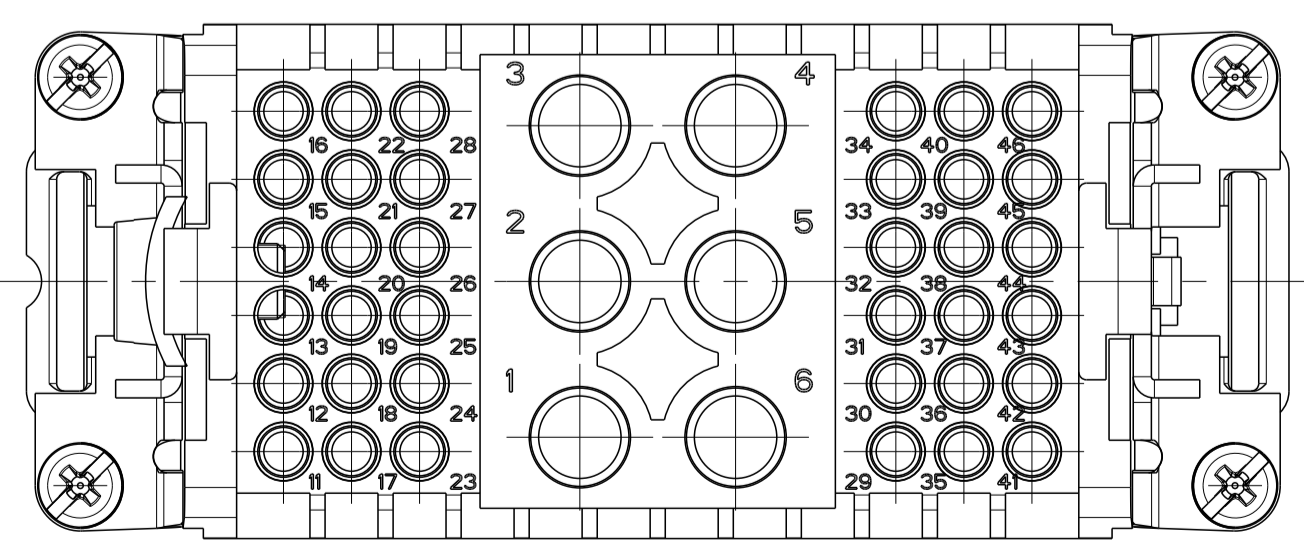


LOC		DIST		REVISIONS			
A1		-		REV	DATE	BY	CHK
B1	ECR-09-026756			09FEB2010	SR	ME	
B2	ECR-17-014051			04APR2018	SG	MKO	

PANEL CUT-OUT FOR CONTACT INSERT
 WHEN USED WITHOUT HOUSING

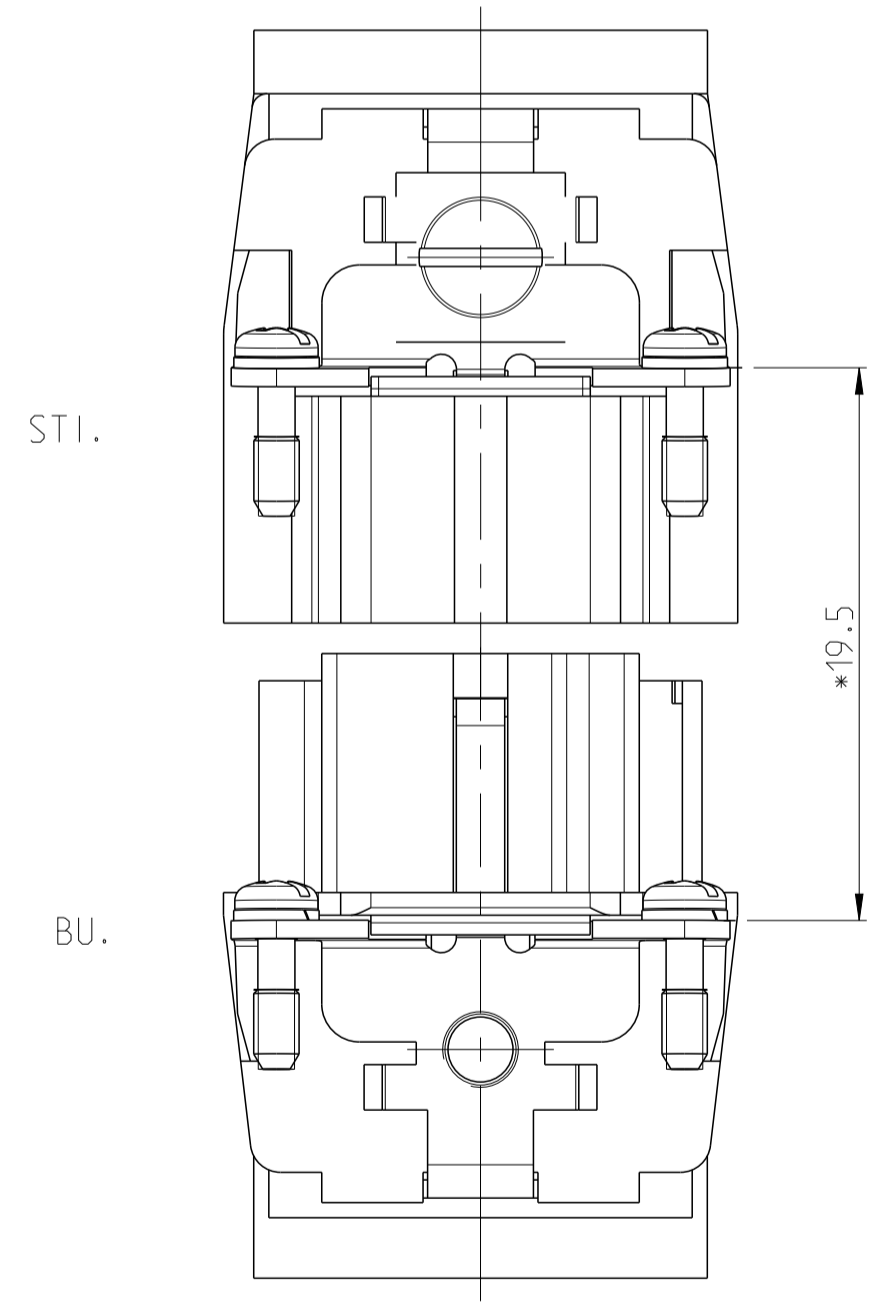


CONTACT ARRANGEMENT VIEW FROM
 TERMINATION SIDE



NOTES

- POVER CONTACT : 1 TO 12
 OUTER DIMENSIONS OF INSULATION: MAX. Ø6.5mm
 SIGNAL CONTACT: A AND B
 OUTER DIMENSIONS OF INSULATION: MAX. Ø3.2mm
- SUITABLE HOOD SIZE 6
 SERIES HB, HD, EMV, AND HIP
- △ GROUNDING CONTACT
- STANDARDS:
 DIN EN 61984; DIN EN 60664-1
- PACKAGING:
 5 PIECES IN A CARTON BOX



*DISTANCE ARRANGEMENT
 VIEW FROM TERMINATION SIDE

SUPERSEDED BY T2120422101-000

QTY	DESCRIPTION	MATERIAL	SURFACE	ITEM
1	CYLINDER SCREW, M5	STEEL	NICKEL PLATED	5
1	CLIP TAB	STEEL	NICKEL PLATED	4
4	FIXING SCREW ASSY	STEEL	NICKEL PLATED	3
2	GROUNDING CONTACT-SOCKET	Cu Zn37 F38	NICKEL PLATED	2
1	SOCKET INSERT	VALOX		1
0-1	HSK.6/36.Sti.C			

THIS DRAWING IS A CONTROLLED DOCUMENT.		OWN: R.SCHNEIDER 09FEB2010		
DIMENSIONS: mm		CHK: T.SCHNURPFEL 09FEB2010		
TOLERANCES UNLESS OTHERWISE SPECIFIED:		APVD: -	NAME: MALE INSERT	
0 PLC # # # # #		PRODUCT SPEC: -	MALE INSERT HSK6/36	
1 PLC # # # # #		APPLICATION SPEC: -	-	
2 PLC # # # # #		WEIGHT: -	SIZE: A1 00779 C=1108761	
3 PLC # # # # #		FINISH: -	CAGE CODE: 00779	
4 PLC # # # # #		RESTRICTED TO: -	DRAWING NO: 1108761	
ANGLES: # # # # #		CUSTOMER DRAWING: -	SCALE: 5:1	
FINISH: # # # # #		SCALE: 5:1	SHEET 1 OF 1	
MATERIAL: -		REV: B2		