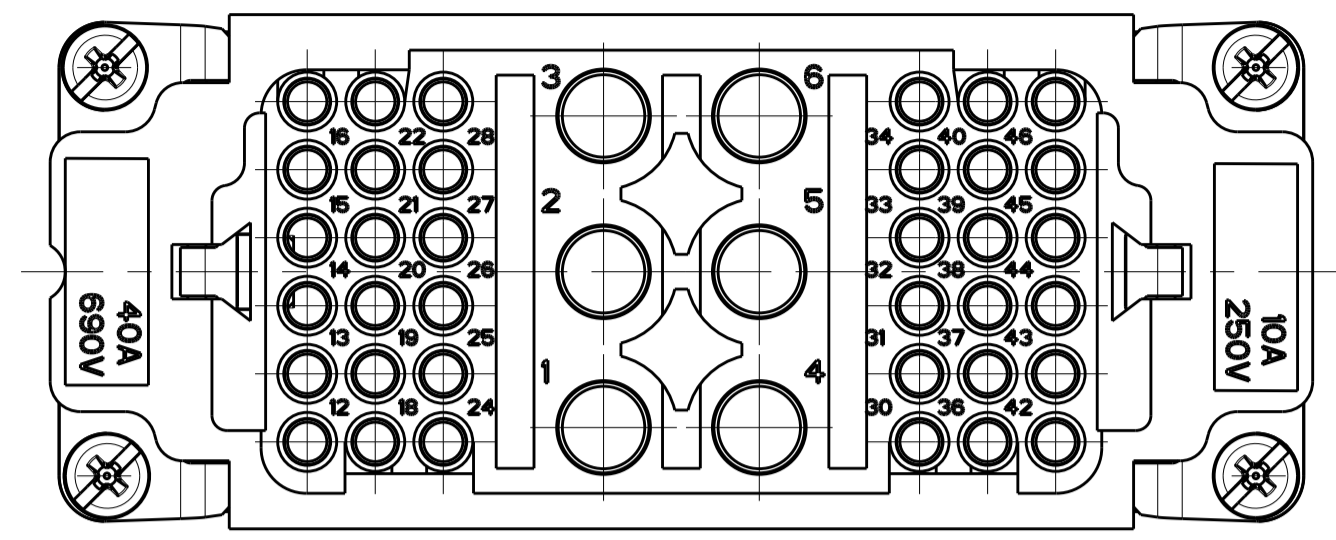


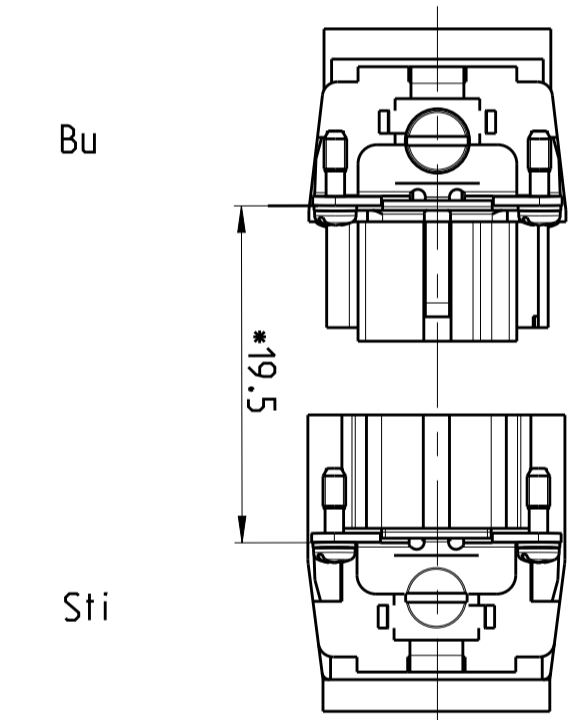
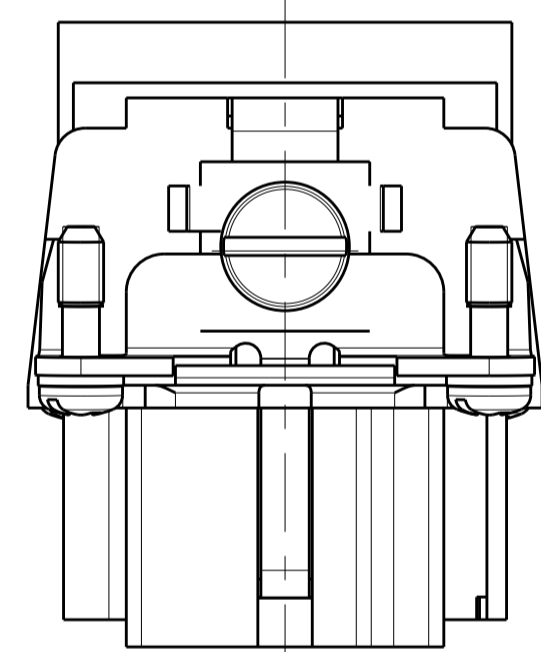
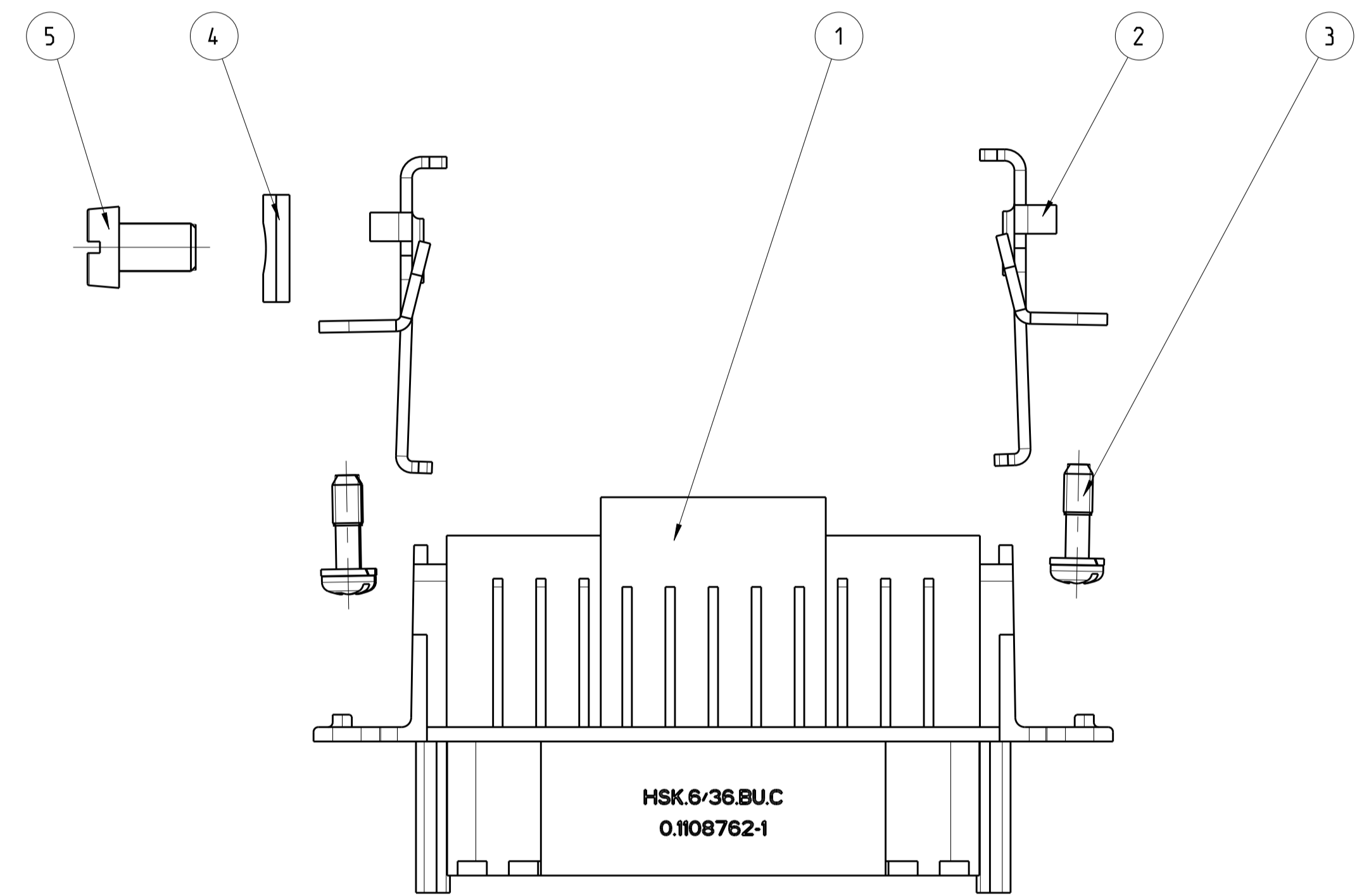
LOC	DIST	REVISIONS					
		P	LTR	DESCRIPTION	DATE	DWN	APVD
A1	-	B1		ECR-09-026756	09FEB2010	SR	ME
		B2		ECR-17-014051	04APR2017	SG	MKO

PANEL CUT-OUT FOR CONTACT INSERT
 WHEN USED WITHOUT HOUSING



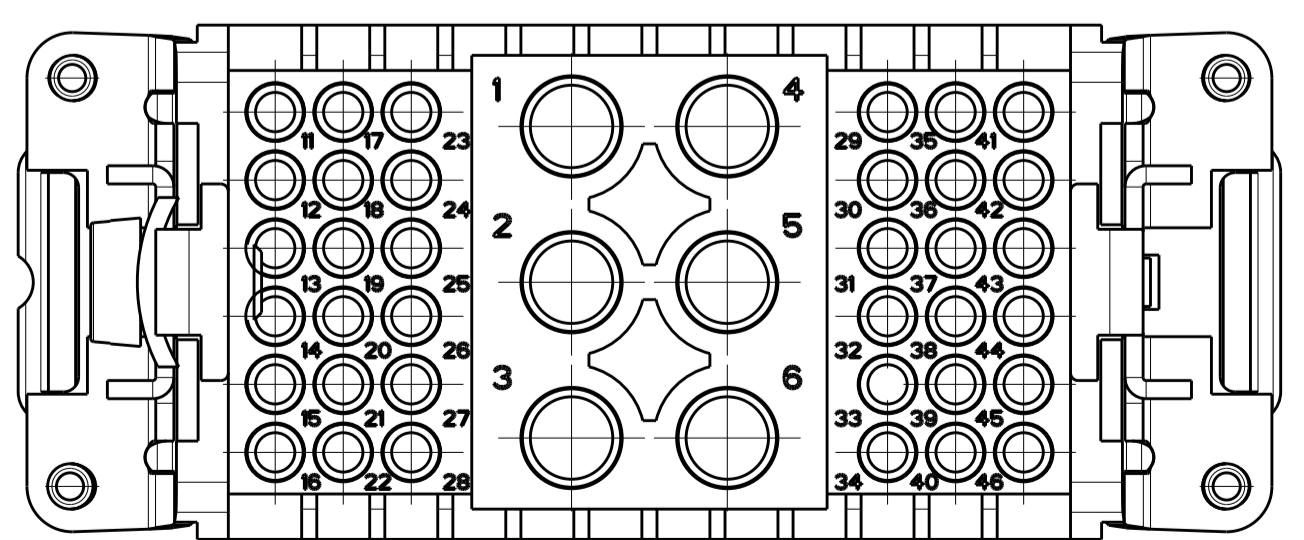
NOTES

- POVER CONTACT : 1 TO 12
 OUTER DIMENSIONS OF INSULATION: MAX. $\varnothing 6.5\text{mm}$
 SIGNAL CONTACT: A AND B
 OUTER DIMENSIONS OF INSULATION: MAX. $\varnothing 3.2\text{mm}$
- SUITABLE HOOD SIZE 6
 SERIES HB, HD, EMV, AND HIP
- GROUNDING CONTACT
- STANDARDS:
 DIN EN 61984; DIN EN 60664-1
- PACKAGING:
 5 PIECES IN A CARTON BOX



HSK.6/36.BUC
 0.1108762-1

CONTACT ARRANGEMENT VIEW FROM
 TERMINATION SIDE



*DISTANCE ARRANGEMENT
 VIEW FROM TERMINATION SIDE

SUPERSEDED BY T21204/22201-000

QTY	DESCRIPTION	MATERIAL	SURFACE	ITEM
1	CYLINDER SCREW, M5	STEEL	NICKEL PLATED	5
1	CLIP TAB	STEEL	NICKEL PLATED	4
4	FIXING SCREW ASSY	STEEL	NICKEL PLATED	3
2	GRUNDING CONTACT-SOCKET	Cu Zn37 F38	NICKEL PLATED	2
1	SOCKET INSERT	VALOX		1
0-1				

THIS DRAWING IS A CONTROLLED DOCUMENT. DWN R.SCHNEIDER 09FEB2010
 CHE T.SCHNURPEIL 09FEB2010

STE TE Connectivity

NAME HSK.6/36 FEMALE INSERT HSK.6/36
 ASSY HSK.6/36

SIZE CAGE CODE DRAWING NO RESTRICTED TO
 A1 00779 C=1108762

CUSTOMER DRAWING SCALE 5:1 SHEET 1 OF 1 REV B2

DIMENSIONS: mm
 TOLERANCES UNLESS OTHERWISE SPECIFIED:
 0 PLC # # # #
 1 PLC # # # #
 2 PLC # # # #
 3 PLC # # # #
 4 PLC # # # #
 ANGLES # # # #
 FINISH # # # #