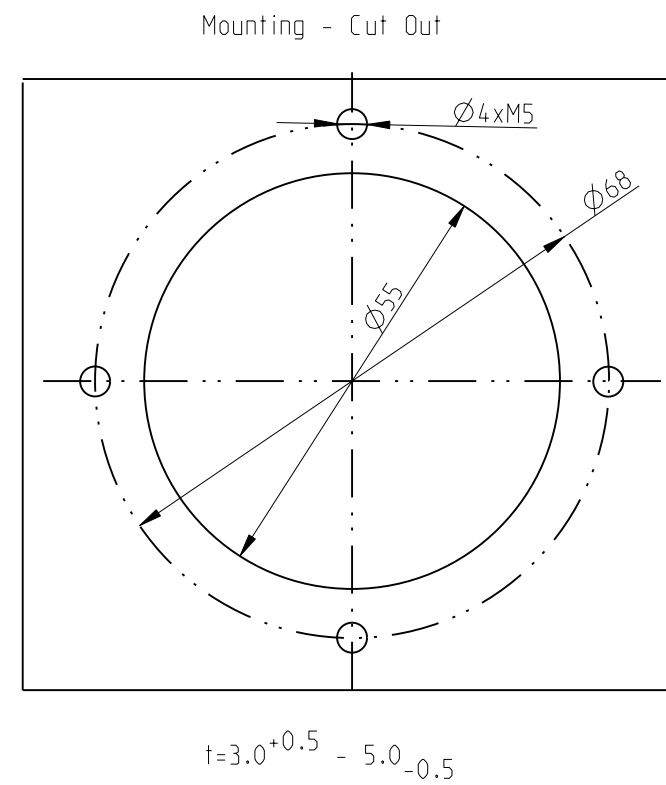
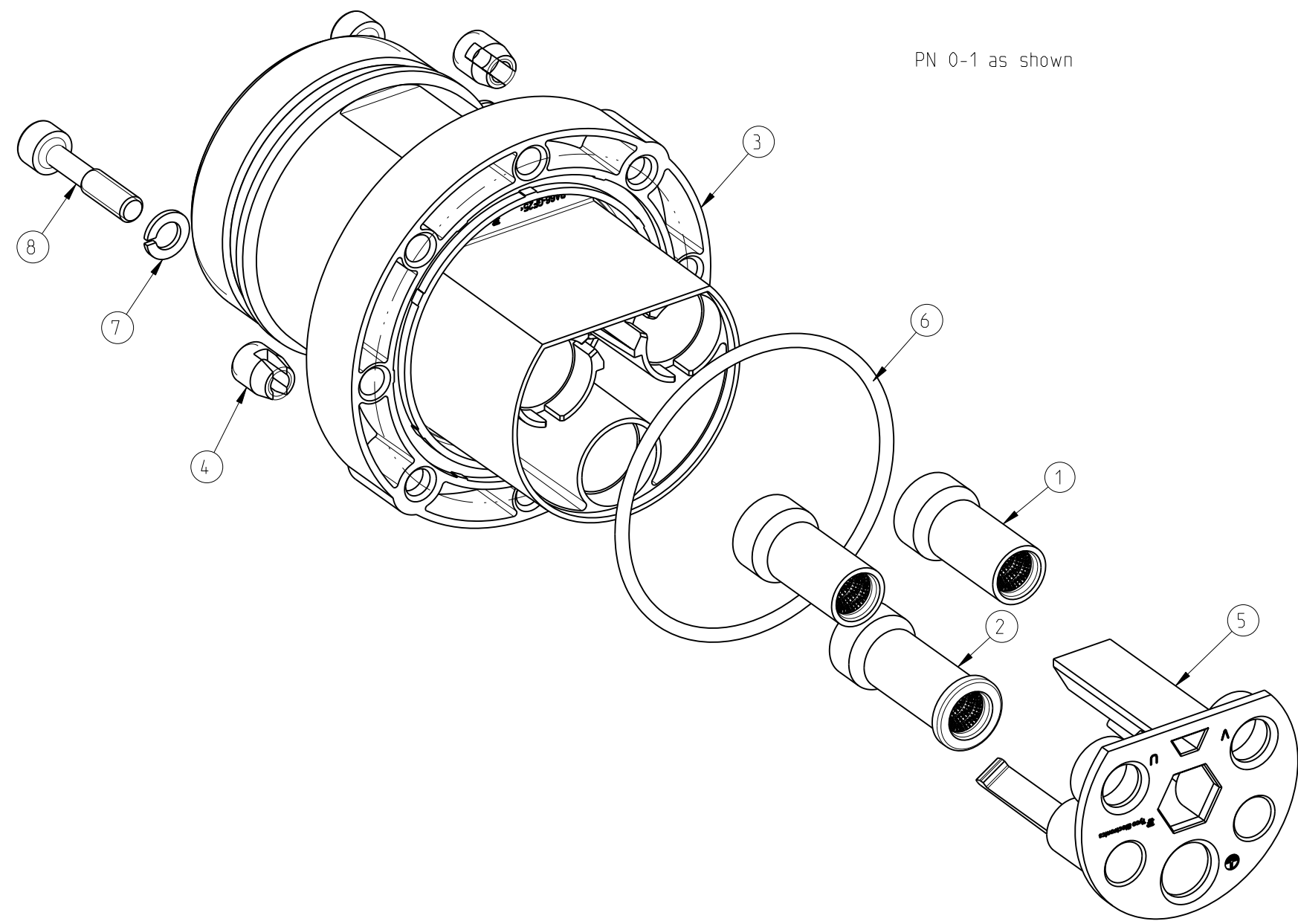
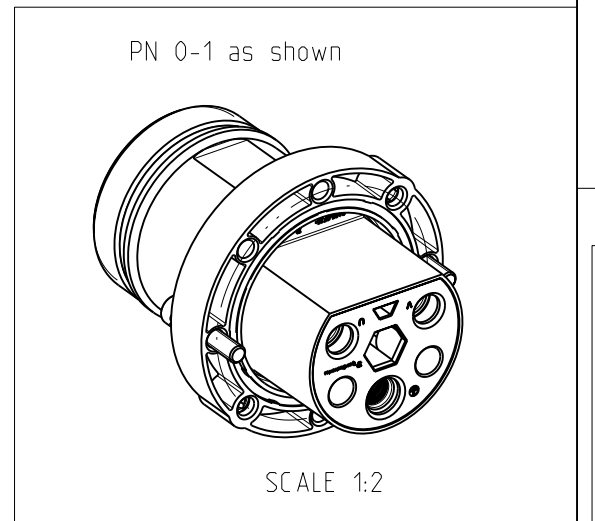


THIS DRAWING IS UNPUBLISHED. RELEASED FOR PUBLICATION 2000
 © COPYRIGHT 2000 BY TYCO ELECTRONICS CORPORATION. ALL RIGHTS RESERVED.

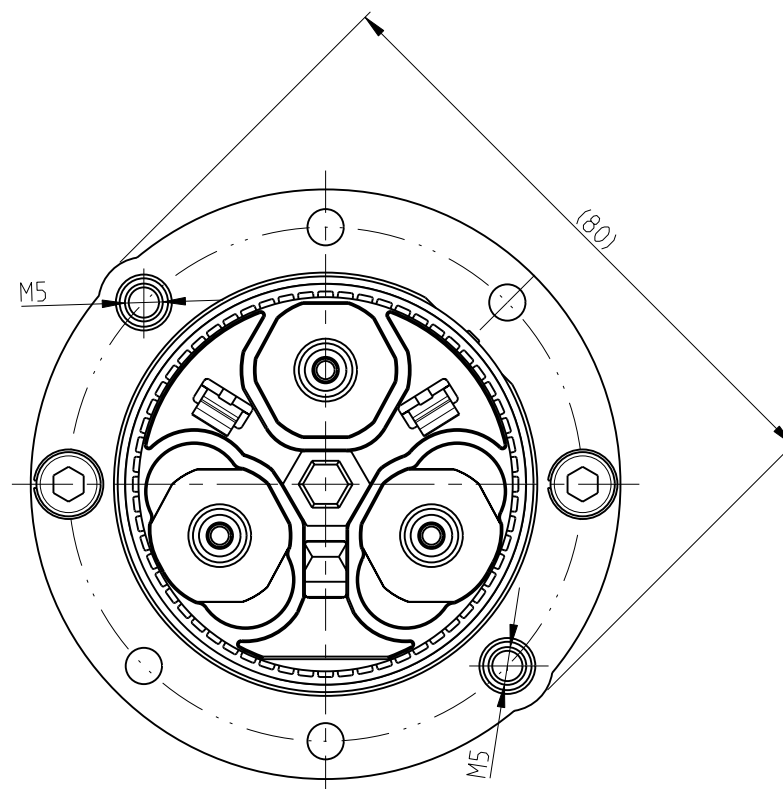
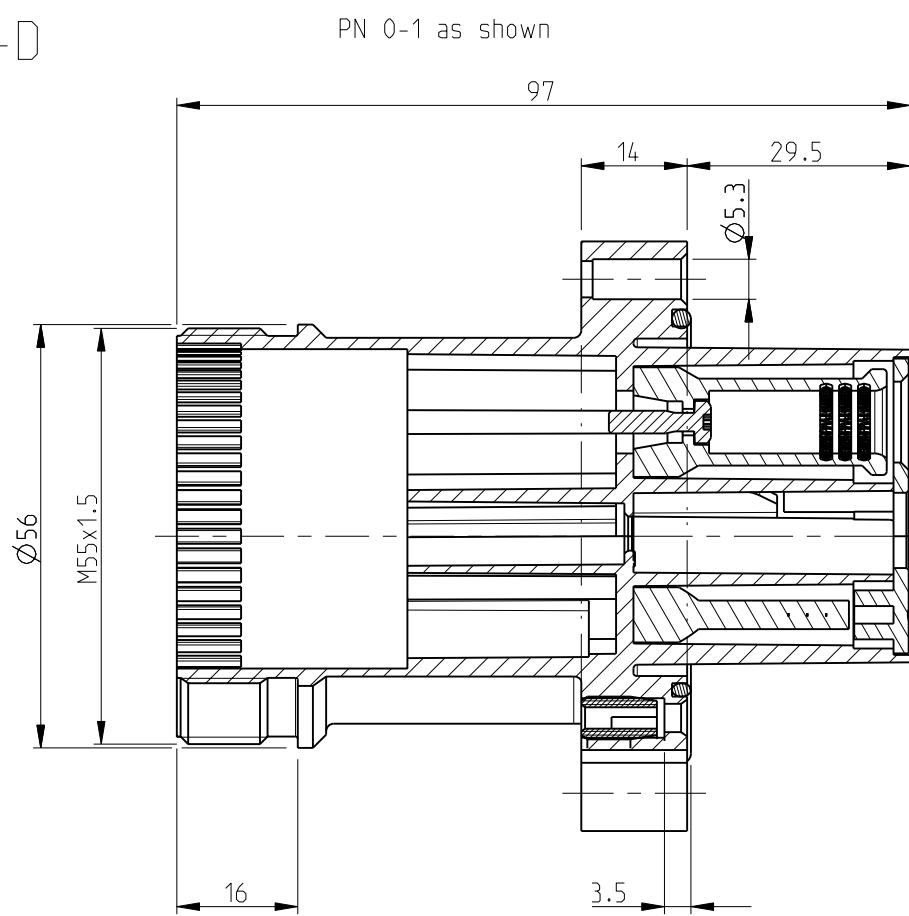
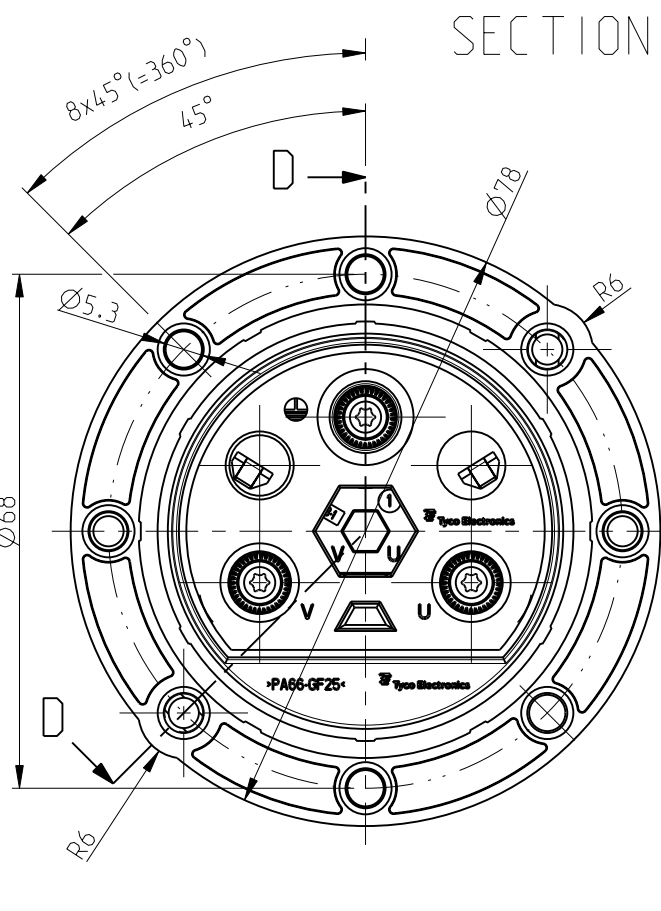
LOC	DIST	REVISIONS				
P	LTR	DESCRIPTION	DATE	DWN	APVD	
A4		REVISED PER ECO-11-000804	22-JAN-11	HMR	MM	



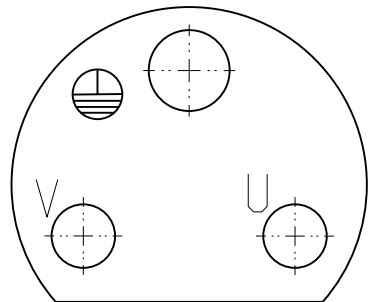
- NOTES
- 1 MATERIAL: SEE TABLE
 - 2 SURFACE: SEE TABLE
 - 3 Packaging: 1 set in a box



SECTION D-D



Contact arrangement view from mating side



QTY	DESCRIPTION	MATERIAL	SURFACE	COLOR	NOTES	ITEM
2	SCREW	STAINLESS STEEL		BLANK	M5x25 LOOSE PIECE	8
2	SPRING WASHER	STAINLESS STEEL			LOOSE PIECE	7
1	O-RING	NBR.63° SHORE A		BLACK	55x2	6
1	COVER PLATE	PBT-GF15		LYGHT GREY	LOOSE PIECE	5
2	THREAD INSERT	STAINLESS STEEL				4
1	SOCKET HOUSING	PA6. 6-GF25	NATURAL	BLACK	M55x1.5	3
1	SET SOCKET CONTACT				LOOSE PIECE	2
2	SET SOCKET CONTACT				LOOSE PIECE	1

PARTS LIST

THIS DRAWING IS A CONTROLLED DOCUMENT FOR TYCO ELECTRONICS CORPORATION IT IS SUBJECT TO CHANGE AND THE CONTROLLING ENGINEERING ORGANIZATION SHOULD BE CONTACTED FOR THE LATEST REVISION.		DWN H.J.BAUM 23.09.2005 CHK H.J.BAUM 25.09.2005 APVD T-SCHNURPFELT 26.09.2005	Tyco Electronics, GmbH D-53819, Neunkirchen, Germany
DIMENSIONS: mm	TOLERANCES UNLESS OTHERWISE SPECIFIED: 0 PLC ± 1 PLC ± 2 PLC ± 3 PLC ± 4 PLC ± ANGLES ± FINISH	PRODUCT SPEC APPLICATION SPEC WEIGHT	Tyco Electronics SOCKET CONNECTOR SERIES TWC.2+1 NAME SIZE A2 CAGE CODE 00779 DRAWING NO. C=1108788 RESTRICTED TO - CUSTOMER DRAWING SCALE 1:1 SHEET 1 OF 1 REV A4