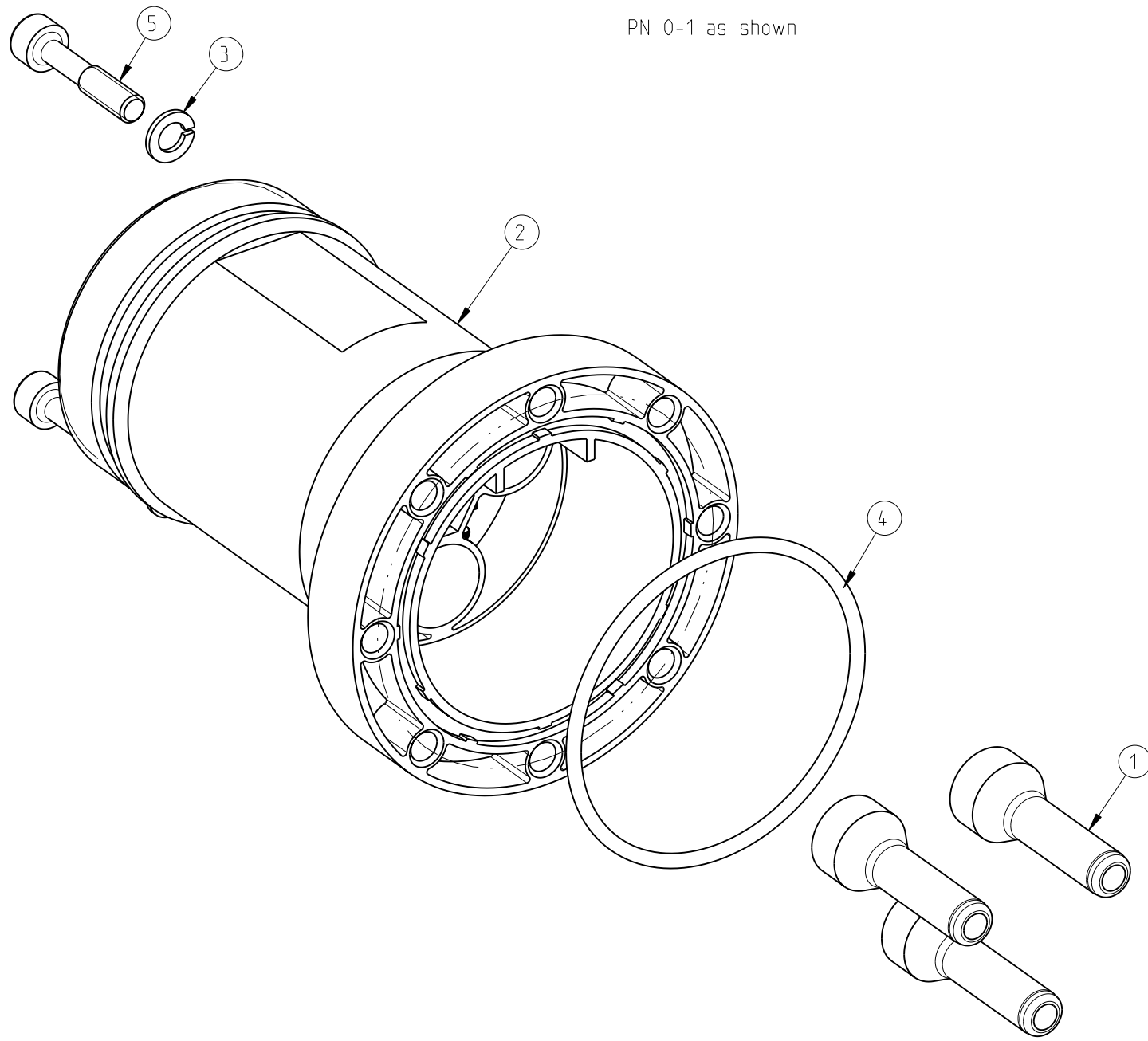


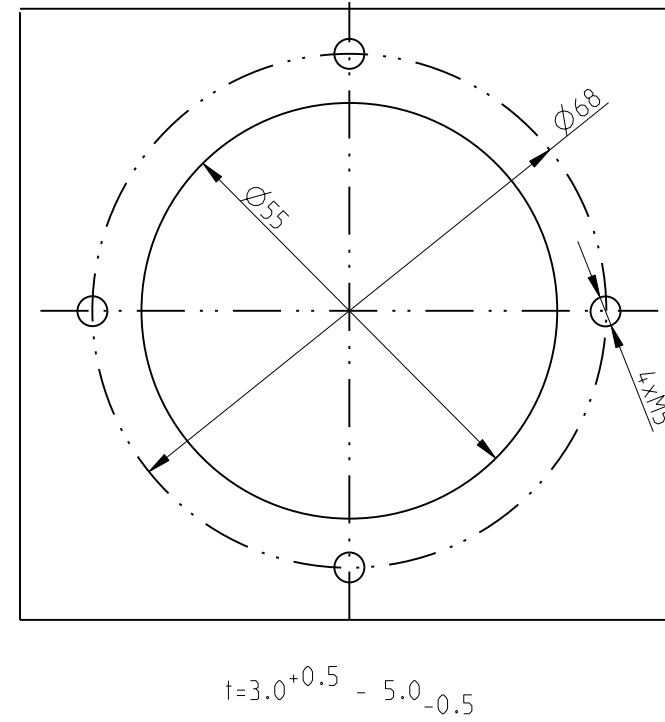
THIS DRAWING IS UNPUBLISHED. RELEASED FOR PUBLICATION 2000  
 © COPYRIGHT 2000 BY TYCO ELECTRONICS CORPORATION. ALL RIGHTS RESERVED.

LOC	DIST	REVISIONS				
P	LTR	DESCRIPTION	DATE	DWN	APVD	
A3		Released as per ECR-08-020215	12-Aug-08	CJ	TS	

PN 0-1 as shown

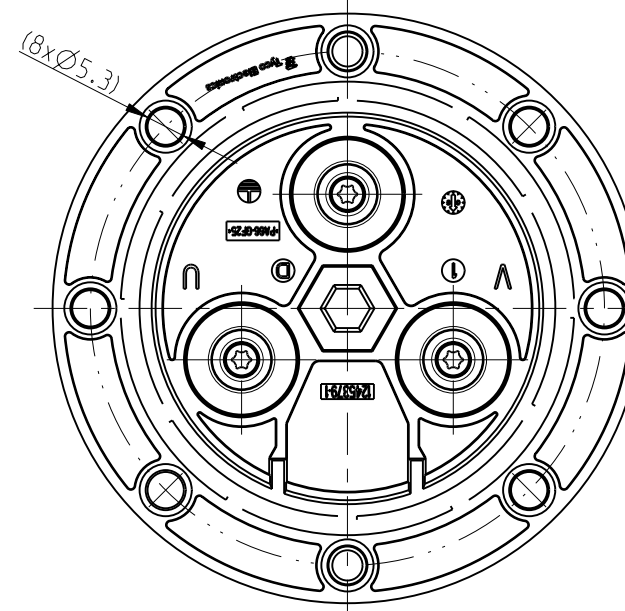
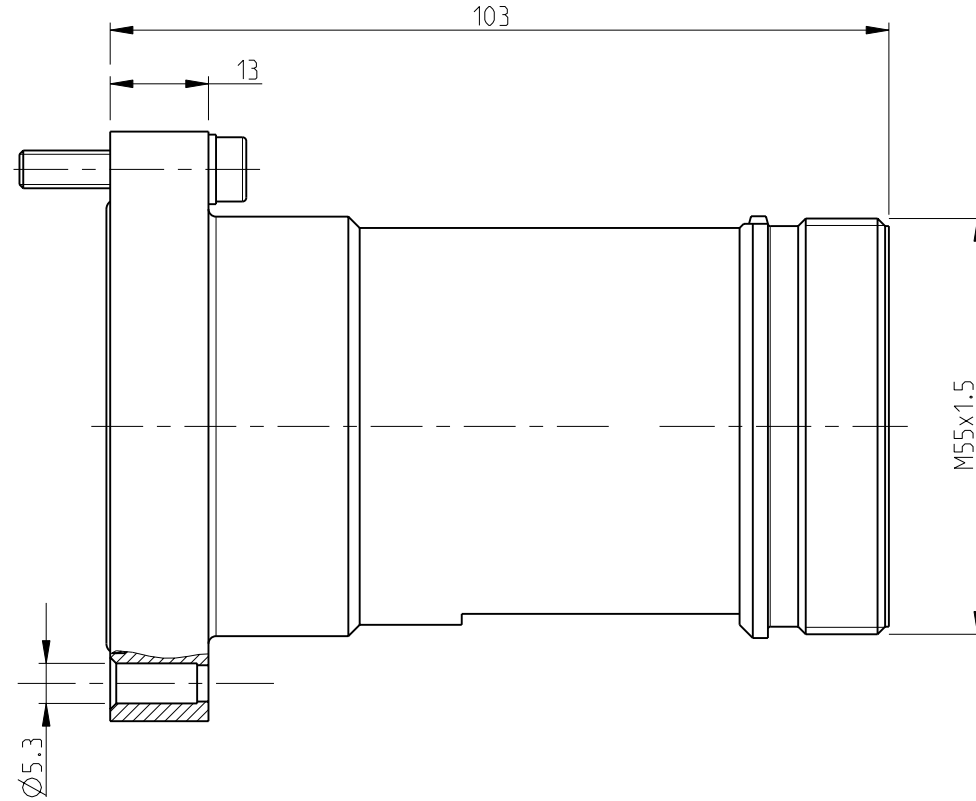
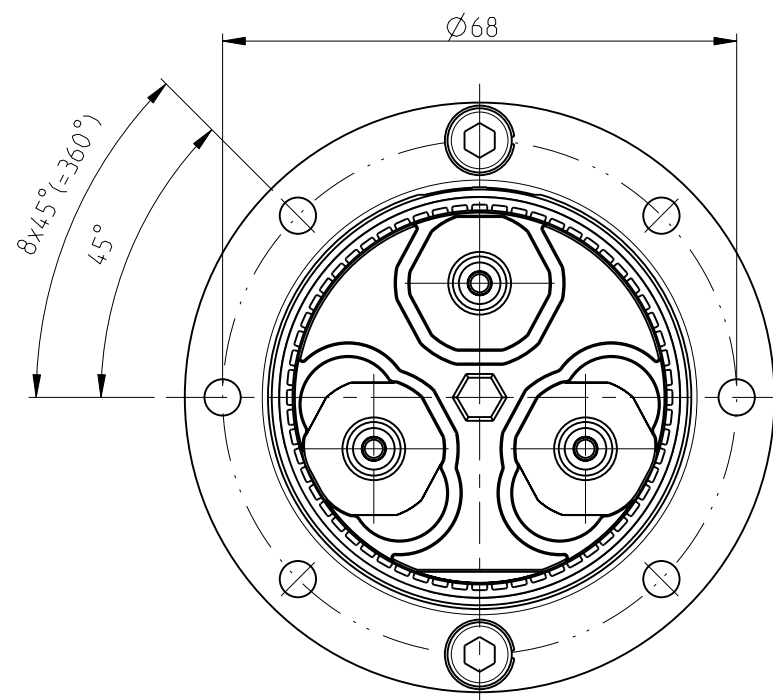


Mounting - Cut Out

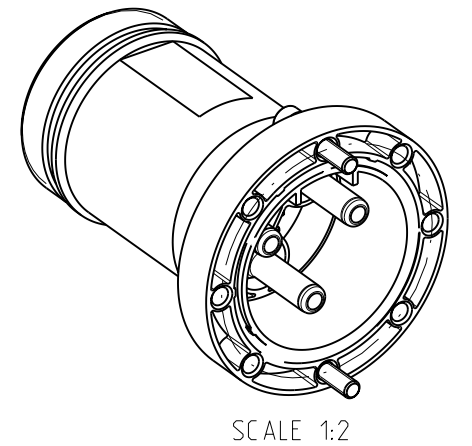


- NOTES
- 1 MATERIAL: SEE TABLE
  - 2 SURFACE: SEE TABLE
  - 3 Packaging: 1 set in a box

PN 0-1 as shown

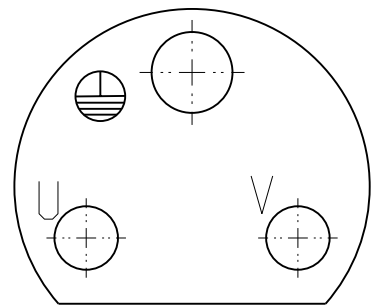


PN 0-1 as shown



SCALE 1:2

Contact arrangement view from mating side



QTY	DESCRIPTION	MATERIAL	SURFACE	COLOR	NOTES	ITEM
2	SCREW	STAINLESS STEEL		BLACK	M5x25	5
1	O-RING	NBR, 63° SHORE A		BLACK	55x2	4
2	SPRING WASHER	STAINLESS STEEL				3
1	PIN HOUSING	PA6, 6-GF25		BLACK		2
3	SET PIN CONTACT					1

PARTS LIST

THIS DRAWING IS A CONTROLLED DOCUMENT FOR TYCO ELECTRONICS CORPORATION. IT IS SUBJECT TO CHANGE AND THE CONTROLLING ENGINEERING ORGANIZATION SHOULD BE CONTACTED FOR THE LATEST REVISION.

DWN H.J.BAUM 27.09.2005  
 CHK H.J.BAUM 28.09.2005  
 APVD T-SCHNURPFELI 28.09.2005

Tyco Electronics Tyco Electronics, GmbH  
 D-53819, Neunkirchen, Germany

NAME PIN CONNECTOR SERIES TWC.2+1

SIZE A2 CAGE CODE 00779 DRAWING NO. 1108789 RESTRICTED TO -

CUSTOMER DRAWING SCALE 1:1 SHEET 1 OF 1 REV A3