

4

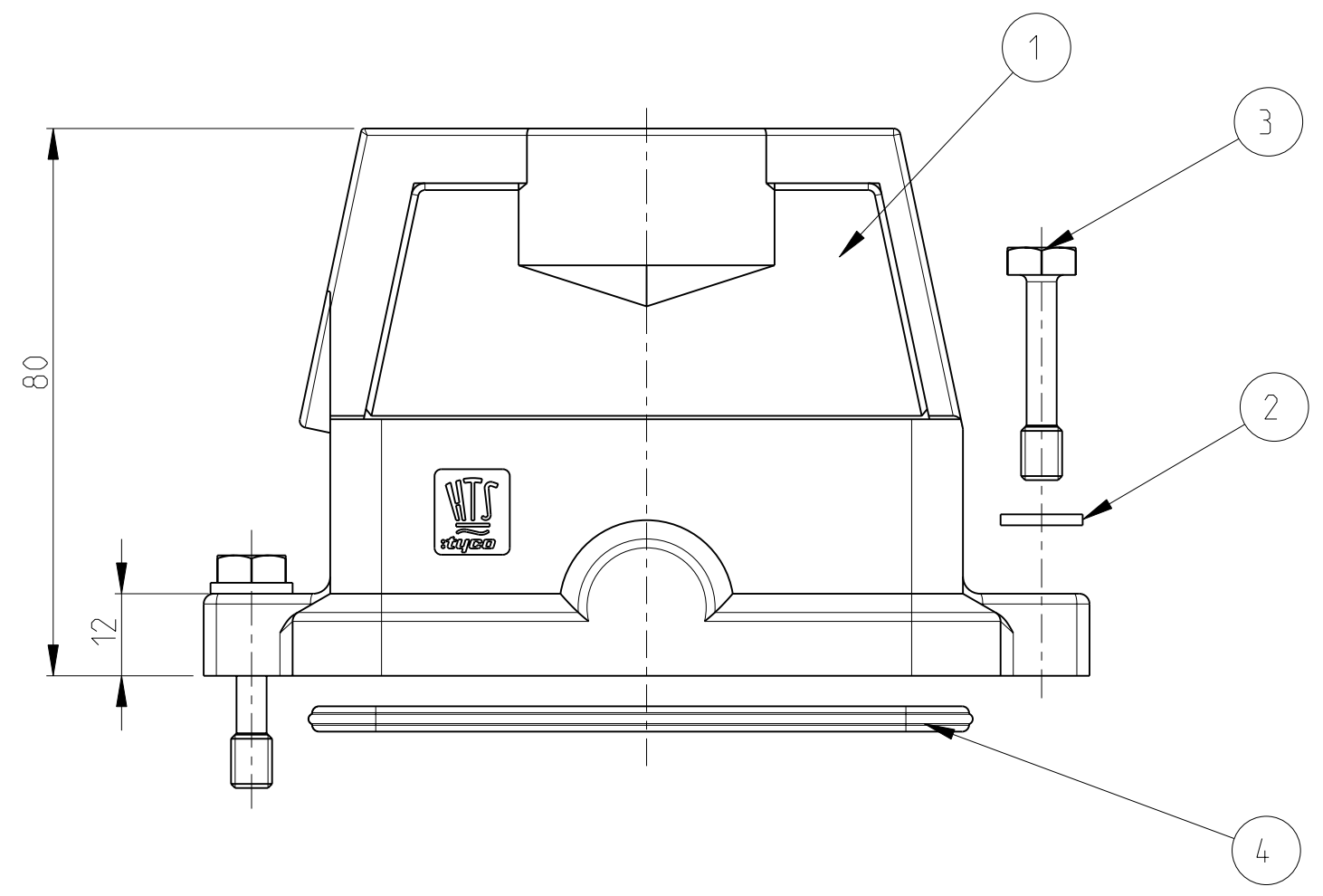
3

2

1

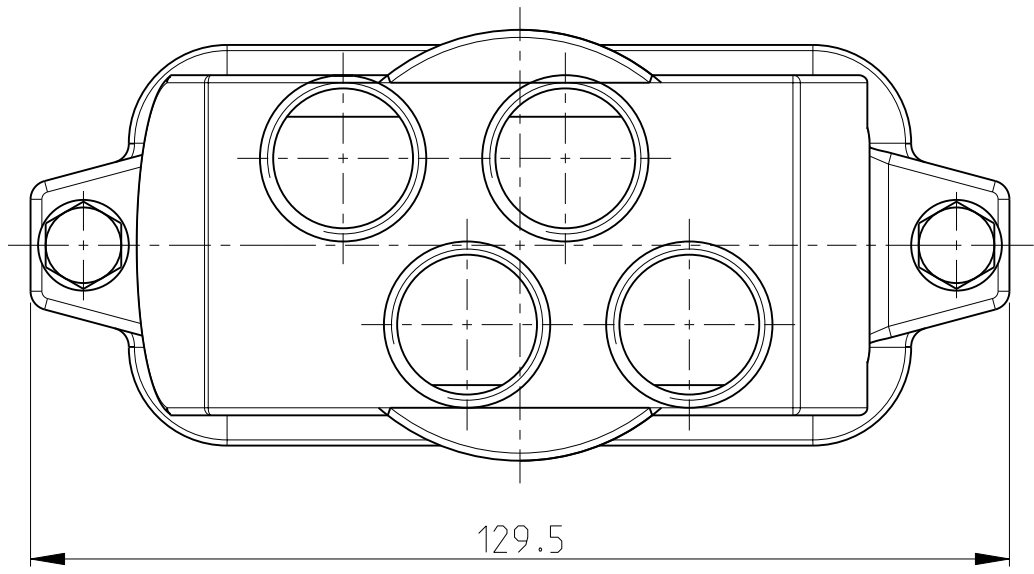
THIS DRAWING IS UNPUBLISHED. RELEASED FOR PUBLICATION 2006
 © COPYRIGHT 2006 BY TYCO ELECTRONICS CORPORATION. ALL RIGHTS RESERVED.

LOC	DIST	REVISIONS					
		P	LTR	DESCRIPTION	DATE	DWN	APVD
A1	-		A1	new drawing	04MAR2008	SR	ST
			-	-	-	-	-



NOTES

- 1 PART SHALL BE FREE AND CLEAN OF BURRS AND OTHER FOREIGN MATERIAL
- 2 PACKAGING: QUANTITY 3 PIECES
FOLDING CARTON: PN 0-1243099-1
- 3 WEIGHT: = 0.52KG
- 4 TOLERANCE UNLESS OTHERWISE SPECIFIED: ISO 8015 ; ISO 2768 - mH - E ; DIN 16901 - 120
- SEE TE QUALITYMANAGEMENT PROCEDURE NO.1. 12



ITEM NO. POS.	DESCRIPTION	MATERIAL	SURFACE	COLORE	REMARKS
1	SEAL	NEOPRENE		BLACK	4
2	HEXAGON BOLT	STEINLESS STEEL	BLANK		3
2	WASHER PLAIN	STEINLESS STEEL	BLANK		2
1	HOOD	ALU/ALUMINIUM	SurTEC 650	BLACK	1
0-1	DESCRIPTION	MATERIAL	SURFACE	COLORE	ITEM NO. POS. REMARKS

THIS DRAWING IS A CONTROLLED DOCUMENT FOR TYCO ELECTRONICS CORPORATION
 IT IS SUBJECT TO CHANGE AND THE CONTROLLING ENGINEERING ORGANIZATION
 SHOULD BE CONTACTED FOR THE LATEST REVISION.

DIMENSIONS: mm		TOLERANCES UNLESS OTHERWISE SPECIFIED:	
	0 PLC ±-	1 PLC ±-	2 PLC ±-
	3 PLC ±-	4 PLC ±-	ANGLES ±1°
MATERIAL -	FINISH -		

DWN R.SCHNEIDER 04MAR2008	tyco Electronics AMP GmbH 53819 Neunkirchen (Germany)	
CHK T.SCHNURPFIL 04MAR2008	NAME HOOD EMV-K 16/40	
APVD -	PRODUCT SPEC -	APPLICATION SPEC -
WEIGHT -	SIZE A3	CAGE CODE 00779
CUSTOMER DRAWING	DRAWING NO C-1108837	RESTRICTED TO -
SCALE 5:1	SHEET 1 OF 1	REV A1