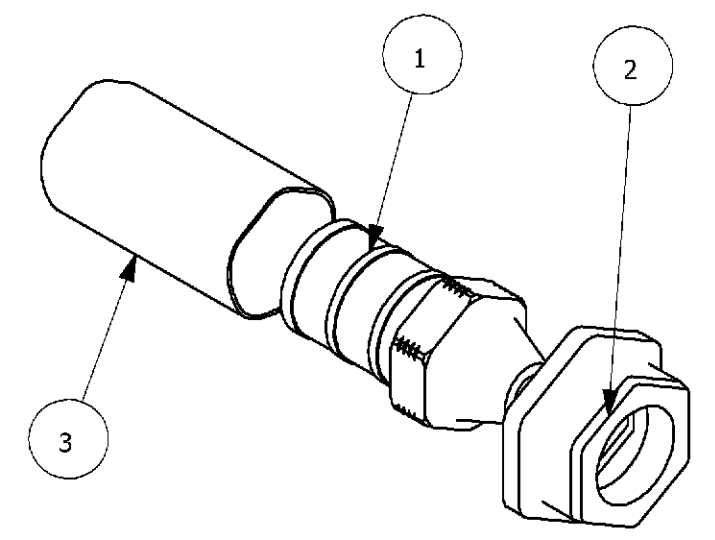


- ### NOTES
- SUITABLE CONTACTS: SERIES HF06
CUSTOMER DRAWING: 11100948, 1110949
 - SUITABLE CONTACTS: SERIES HF08
CUSTOMER DRAWING: 1103037, 1103038
 - SUITABLE CRIMPING TOOL: HYDR. TOOL 30kN
CUSTOMER DRAWING: 1105653
 - SUITABLE CRIMPING TOOL: HYDR. TOOLS 60kN
CUSTOMER DRAWING: 1110956
 - DIE SIZE "INDEX" ACC. TO DIN 48083, SEE
CUSTOMER DRAWINGS OF CRIMPING TOOLS
 - SHRINK TUBE ACC. TO MIL I-23053 B/5, RATE 3:1
 - STANDARDS:
DIN EN 61984; DIN EN 60664-1
 - PACKAGING:
10 SETS IN A CARTON

OBSOLETE
OBSOLETE
OBSOLETE
OBSOLETE

1-3	1-2	1-1	1-0	0-9	0-8	0-7	0-6	0-5	0-4	0-3	0-2	0-1	DESCRIPTION	ACC.	A	B	C	E	F	G	SW	MATERIAL	SURFACE	WEIGHT (Kg)	NOTES	ITEM	
-	-	-	-	-	-	-	1	1	1	1	1	1	ADAPTOR	-	-	-	-	-	-	-	-	-	PA	BLACK	0,002		3
1	1	1	1	1	1	1	-	-	-	-	-	-	SHRINK. TUBE	-	-	-	-	-	-	-	-	-	PO	BLACK	0,003		2
-	-	-	-	-	-	-	1	1	1	1	1	1	SHRINK. TUBE	-	-	-	-	-	-	-	-	-	PO	BLACK	0,001		2
-	1	-	-	-	-	-	-	-	-	-	-	-	CRIMP BARREL	-	18,5	25,5	5,0	45,5	30,0	30,0	27	-	COPPER	SILVER PLATED	0,009	WIRE SIZE 185 MM ²	1
-	-	-	-	-	-	-	-	-	-	-	-	-	CRIMP BARREL	14	17,0	23,5	5,0	45,5	30,0	30,0	27	-	COPPER	SILVER PLATED	0,093	WIRE SIZE 150 MM ²	1
-	-	1	-	-	-	-	-	-	-	-	-	-	CRIMP BARREL	16	16,6	23,5	5,0	45,5	30,0	30,0	27	-	COPPER	SILVER PLATED	0,079	WIRE SIZE 140 MM ²	1
-	-	-	-	-	-	-	-	-	-	-	-	-	CRIMP BARREL	14	15,5	21,0	5,0	45,5	30,0	30,0	27	-	COPPER	SILVER PLATED	0,072	WIRE SIZE 120 MM ²	1
-	-	-	-	1	-	-	-	-	-	-	-	-	CRIMP BARREL	14	14,0	19,0	5,0	45,5	30,0	30,0	27	-	COPPER	SILVER PLATED	0,075	WIRE SIZE 105 MM ²	1
-	-	-	-	-	1	-	-	-	-	-	-	-	CRIMP BARREL	12	13,5	19,0	5,0	45,5	30,0	30,0	27	-	COPPER	SILVER PLATED	0,075	WIRE SIZE 95 MM ²	1
-	-	-	-	-	-	1	-	-	-	-	-	-	CRIMP BARREL	12	11,8	16,5	3,0	37,0	21,5	21,5	19	-	COPPER	SILVER PLATED	0,044	WIRE SIZE 70 MM ²	1
1	-	-	-	-	-	-	1	-	-	-	-	-	CRIMP BARREL	10	10,0	14,5	3,0	37,0	21,5	21,5	19	-	COPPER	SILVER PLATED	0,041	WIRE SIZE 50 MM ²	1
-	-	-	-	-	-	-	-	1	-	-	-	-	CRIMP BARREL	8	9,8	14,5	3,0	37,0	21,5	21,5	19	-	COPPER	SILVER PLATED	0,041	WIRE SIZE 48 MM ²	1
-	-	-	-	-	-	-	-	-	1	-	-	-	CRIMP BARREL	8	8,2	12,5	3,0	37,0	21,5	21,5	19	-	COPPER	SILVER PLATED	0,038	WIRE SIZE 35 MM ²	1
-	-	-	-	-	-	-	-	-	-	1	-	-	CRIMP BARREL	6	8,5	12,5	3,0	37,0	21,5	21,5	19	-	COPPER	SILVER PLATED	0,036	WIRE SIZE 30 MM ²	1
-	-	-	-	-	-	-	-	-	-	-	1	-	CRIMP BARREL	5	7,0	10,0	3,0	37,0	21,5	21,5	19	-	COPPER	SILVER PLATED	0,034	WIRE SIZE 25 MM ²	1



THIS DRAWING IS A CONTROLLED DOCUMENT.

DIMENSIONS: DIMENSIONEN: m m

TOLERANCES UNLESS OTHERWISE SPECIFIED: ALLGEMEINTOLERANZEN

n. ISO 8013 - mH-E
n. ISO 2768 - 140
n. DIN 16901-

0 PLC #
1 PLC #
2 PLC #
3 PLC #
ANGLES / WINKEL #

MATERIAL FINISH / OBERFLAECHE / FARBE

DWN SCHNEIDER 02.01.2006
CHK BRAUN 02.01.2006
APVD SCHNURPFEIL 02.01.2006

TE Connectivity

NAME CRIMP BARREL ASSY HF13, HF16

PRODUCT SPEC. PRODUKTSPEZ. 108-74024
APPLICATION SPEC. VERARBEITUNGSSPEZ. 114-74024

WEIGHT GEWICHT 0,001 KG

SIZE A3 CAGE CODE 00779 DRAWING NO. ZEICHNUNGS-NR. 1110953

RESTRICTED TO NUR FUER

CUSTOMER DRAWING / KUNDENZEICHNUNG SCALE MASSSTAB 1:1 SHEET BLATT 1 OF VON 1 REV. A12