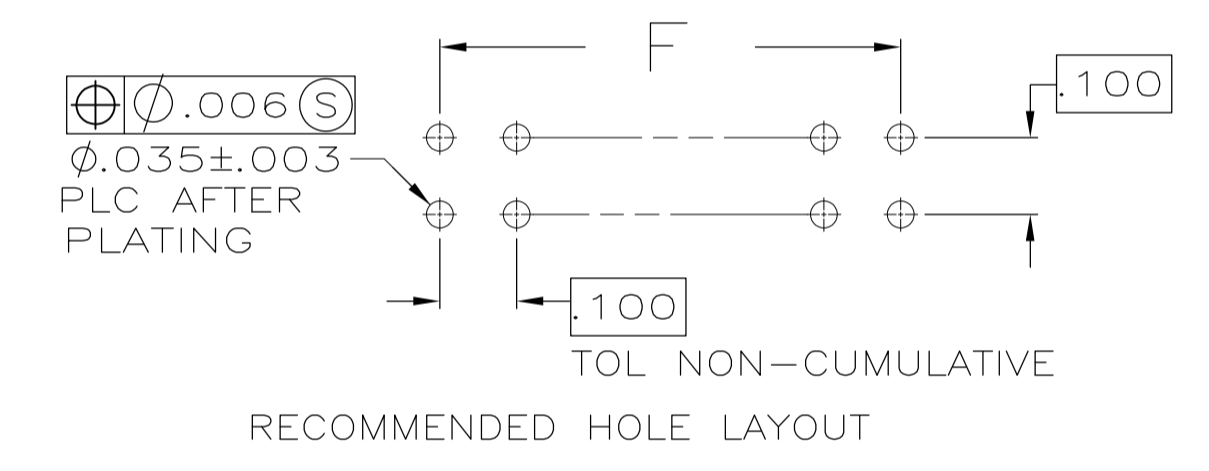


- ⚠ CONTACTS DESIGNED FOR 26 & 28 AWG STRANDED OR 26, 28 & 30 AWG SOLID WIRE.
- ⚠ AMP TRADEMARK LOCATED IN APPROX AREA SHOWN.
- ⚠ STANDOFFS: POS 10 (2) STANDOFFS AS SHOWN.
 14-16 (3) STANDOFFS, (1) CENTERED BETWEEN (2) SHOWN
 20-26 (4) (2)
 30 (5) (3)
 34 (6) (4)
 40-44 (7) (5)
 50 (8) (6)
 60 (9) (7)
 64 (10) (8)
- ⚠ .000100-.000200 BRIGHT TIN-LEAD, ALL OVER .000050 NICKEL.
- ⚠ HEIGHT AFTER TERMINATION IS .253 ±.010.
- 6. FOR USE IN .062 - .093" THICK PCB.
- ⚠ .000005 MIN GOLD ON RIBBON CABLE TERMINATION AREA, .000100-.000200 MATTE TIN ON SOLDER TAILS, ALL OVER .000050 MIN NICKEL.
- ⚠ MOLDED PARTS, 94V-0 RATED THERMOPLASTIC, COLOR: BLACK
 CONTACTS: PHOS BRONZE.



⚠	24	2.680	48	49	50	2-111382-0	
⚠	16	1.880	32	33	34	1-111382-9	
⚠	12	1.480	24	25	26	1-111382-8	
⚠	9	1.180	18	19	20	1-111382-7	
⚠	7	0.980	14	15	16	1-111382-6	
⚠	4	.680	8	9	10	1-111382-4	
OBSOLETE	⚠	21	2.380	42	43	44	1-111382-3
OBSOLETE	⚠	31	3.380	62	63	64	1-111382-2
OBSOLETE	⚠	29	3.180	58	59	60	1-111382-1
OBSOLETE	⚠	24	2.680	48	49	50	1-111382-0
OBSOLETE	⚠	19	2.180	38	39	40	111382-9
OBSOLETE	⚠	16	1.880	32	33	34	111382-8
OBSOLETE	⚠	14	1.680	28	29	30	111382-7
OBSOLETE	⚠	12	1.480	24	25	26	111382-6
OBSOLETE	⚠	11	1.380	22	23	24	111382-5
OBSOLETE	⚠	9	1.180	18	19	20	111382-4
OBSOLETE	⚠	7	.980	14	15	16	111382-3
OBSOLETE	⚠	6	.880	12	13	14	111382-2
OBSOLETE	⚠	4	.680	8	9	10	111382-1
	CONTACT FINISH	D	C	B	A	NO OF POSN	PART NO

THIS DRAWING IS A CONTROLLED DOCUMENT.

DIMENSIONS: INCHES	TOLERANCES UNLESS OTHERWISE SPECIFIED:	DIN 11-29-04	11-29-04
0 PLC ± -	1 PLC ± -	L VARELA - DOCKS	11-29-04
2 PLC ± -	3 PLC ± .005	C. RÖHDE	
4 PLC ± -	ANGLES ± -	M. WALMSLEY	11-29-04

APPROVED: M. WALMSLEY

NAME: KIT, DIP PLUG, PREASSEMBLED, .100 X .100 CENTERLINE, AMP-LATCH

PRODUCT SPEC: 108-40013

APPLICATION SPEC: 114-40005

SIZE: A1

WEIGHT: -

CAGE CODE: 00779

DRAWING NO: 111382

RESTRICTED TO: -

MATERIAL: CONTACTS: SEE TABLE

CUSTOMER DRAWING

SCALE: 10:1

SHEET: 1 OF 1

REV: L