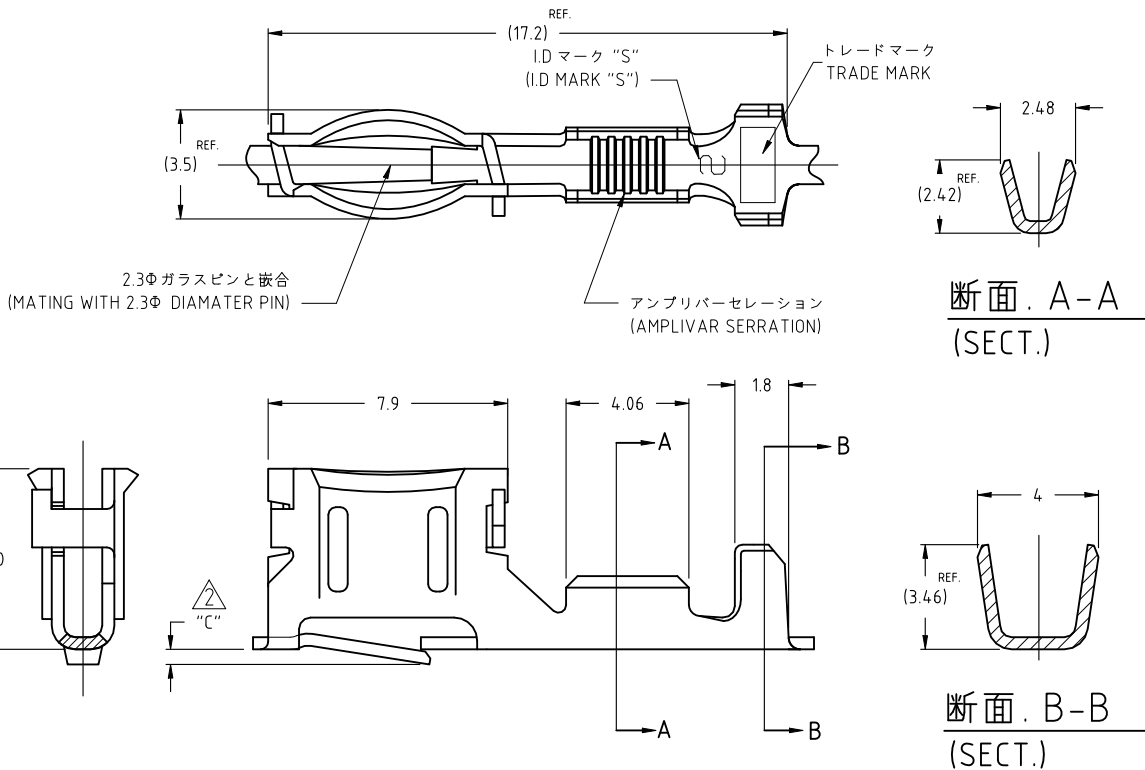


REVISIONS					
P	LTR	DESCRIPTION	DATE	DWN	APVD
	B3	REVISED PER ECR-24-198835	01FEB2024	JJ	TD



注：

1. 適用ハウジング □-171370-□

△ ランス高さ

	圧着前	圧着後
寸法 "C"	0.7MAX	0.7~1.6

NOTES;

1. APPLICABLE HSG □-171370-□

△ LANCE HEIGHT

	BEFORE CRIMPING	AFTER CRIMPING
DIMENSION "C"	0.7MAX	0.7~1.6

0.113~0.730mm <sup>2</sup> (AWG #26~#19)	0.9~2.0mm
(WIRE RANGE) 抱合電線断面積	(INSULATION DIA) 被覆外径

1123655-1
型番 (P/N)

TE Connectivity. All Rights Reserved.

DIMENSIONS: mm	DWN J.SATO 23MAY2007	MATERIAL (PHOS-BRO)	FINISH (TIN PLATED)
TOLERANCES UNLESS OTHERWISE SPECIFIED:	CHK S.MANABE 25MAY2007	TE Connectivity	
0 PLC 10 ≥ ± 0.2 1 PLC > 10 ± 0.25 2 PLC ± 3 PLC ± 4 PLC ± ANGLES ± 3DEG	APVD S.MANABE 25MAY2007		
	PRODUCT SPEC 108-5574-1	NAME (2.3 DIA CLUSTER RECEPTACLE AMPLIVAR TYPE ) 2.3 DIA クラスター リセプタクル アンプリバー タイプ	
	APPLICATION SPEC 114-5242-1	SIZE A4	CAGE CODE 00779
	WEIGHT 0.000000	DRAWING NO C-1123655	RESTRICTED TO -
	CUSTOMER DRAWING	SCALE 4:1	SHEET 1 OF 1
			REV B3