

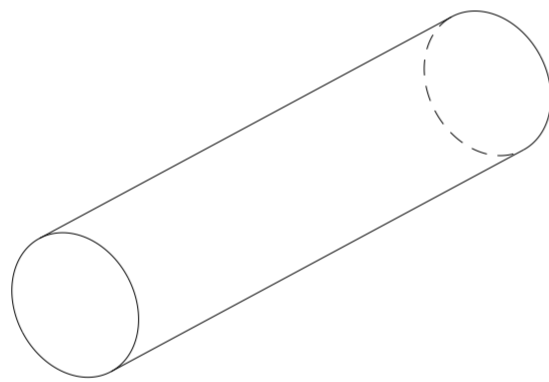
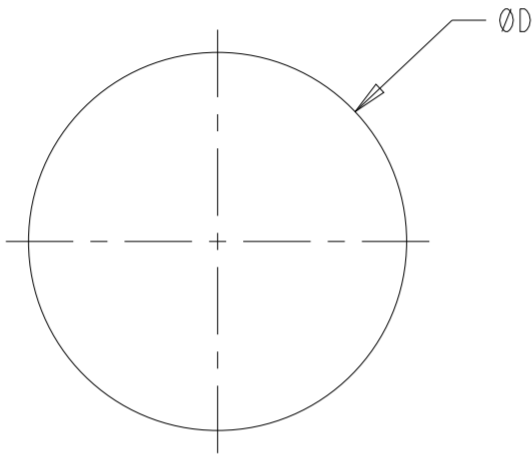
REVISIONS

P	LTR	DESCRIPTION	DATE	DWN	APVD
A		NEW DRAWING	05MAY2022	BDA	DH
A1		NEW PART NUMBERS ADDED	16JUN2022	BDA	DH
A2		SPECIFICATIONS NUMBER UPDATED	28SEP2023	BDA	DH

GENERAL TOLERANCES:  
 0 - 2mm = ±0.1mm  
 2.1mm - 5mm = ±0.15mm  
 5.1mm - 9mm = ±0.2mm

MATERIAL SPECIFIC DATA TABLE

	SNG	SSA	FNG	FSA
RECOMMENDED OPERATING TEMPERATURE RANGE (°C)	-55 to 160	-55 to 160	-55 to 160	-55 to 160
SPECIFIC GRAVITY ± 13%	2.000	2.000	2.200	2.000
SHORE A HARDNESS ± 7	65	65	65	70
MAXIMUM VOLUME RESISTIVITY (Ω.CM)	0.05	0.008	0.05	0.012



ISOMETRIC VIEW (NTS)

LIGHT GREEN	2.0	FLUROSILICONE SILVER ALUMINIUM	1201-FSA-0020	2418215-1	1201-FSA-0020-1	2420751-1
LIGHT GREEN	1.8	FLUROSILICONE SILVER ALUMINIUM	1201-FSA-0018	2418214-1	1201-FSA-0018-1	2420750-1
LIGHT GREEN	1.6	FLUROSILICONE SILVER ALUMINIUM	1201-FSA-0016	2418213-1	1201-FSA-0016-1	2420749-1
LIGHT GREEN	1.0	FLUROSILICONE SILVER ALUMINIUM	1201-FSA-0010	2418121-1	1201-FSA-0010-1	2420748-1
DARK GREEN	2.0	FLUROSILICONE NICKEL GRAPHITE	1201-FNG-0020	2418212-1	1201-FNG-0020-1	2420747-1
DARK GREEN	1.8	FLUROSILICONE NICKEL GRAPHITE	1201-FNG-0018	2418211-1	1201-FNG-0018-1	2420746-1
DARK GREEN	1.6	FLUROSILICONE NICKEL GRAPHITE	1201-FNG-0016	2418210-1	1201-FNG-0016-1	2420745-1
DARK GREEN	1.0	FLUROSILICONE NICKEL GRAPHITE	1201-FNG-0010	2418116-1	1201-FNG-0010-1	2420744-1
BEIGE	2.0	SILICONE SILVER ALUMINIUM	1201-SSA-0020	2418193-1	1201-SSA-0020-1	2420737-1
BEIGE	1.8	SILICONE SILVER ALUMINIUM	1201-SSA-0018	2418096-1	1201-SSA-0018-1	2420736-1
BEIGE	1.6	SILICONE SILVER ALUMINIUM	1201-SSA-0016	2418095-1	1201-SSA-0016-1	2420735-1
BEIGE	1.0	SILICONE SILVER ALUMINIUM	1201-SSA-0010	2418094-1	1201-SSA-0010-1	2420734-1
DARK GREY	2.0	SILICONE NICKEL GRAPHITE	1201-SNG-0020	2418093-1	1201-SNG-0020-1	2420733-1
DARK GREY	1.8	SILICONE NICKEL GRAPHITE	1201-SNG-0018	2418092-1	1201-SNG-0018-1	2420732-1
DARK GREY	1.6	SILICONE NICKEL GRAPHITE	1201-SNG-0016	2418091-1	1201-SNG-0016-1	2420731-1
DARK GREY	1.0	SILICONE NICKEL GRAPHITE	1201-SNG-0010	2418192-1	1201-SNG-0010-1	2420730-1
COLOUR	ØD	MATERIAL	10 METER LENGTH ALIAS PART NUMBER	10 METER LENGTH PART NUMBER	1 METER LENGTH ALIAS PART NUMBER	1 METER LENGTH PART NUMBER

THIS DRAWING IS A CONTROLLED DOCUMENT.

DIMENSIONS: mm

TOLERANCES UNLESS OTHERWISE SPECIFIED:

0 PLC	±
1 PLC	±
2 PLC	±
3 PLC	±
4 PLC	±
ANGLES	±
FINISH	-

MATERIAL: SEE TABLE

APPROVALS:

DWN	05MAY2022	BASAVARAJA D A
CHK	05MAY2022	B SELVAPANDIAN
APVD	05MAY2022	D HEMMINGS

PRODUCT SPEC: 108-120068

APPLICATION SPEC: 114-120005

WEIGHT: -

CUSTOMER DRAWING

SCALE: 50:1

SHEET 1 OF 1

REV A2

TE Connectivity

1201-ECE EXTRUDED CORD-SERIES

RESTRICTED TO