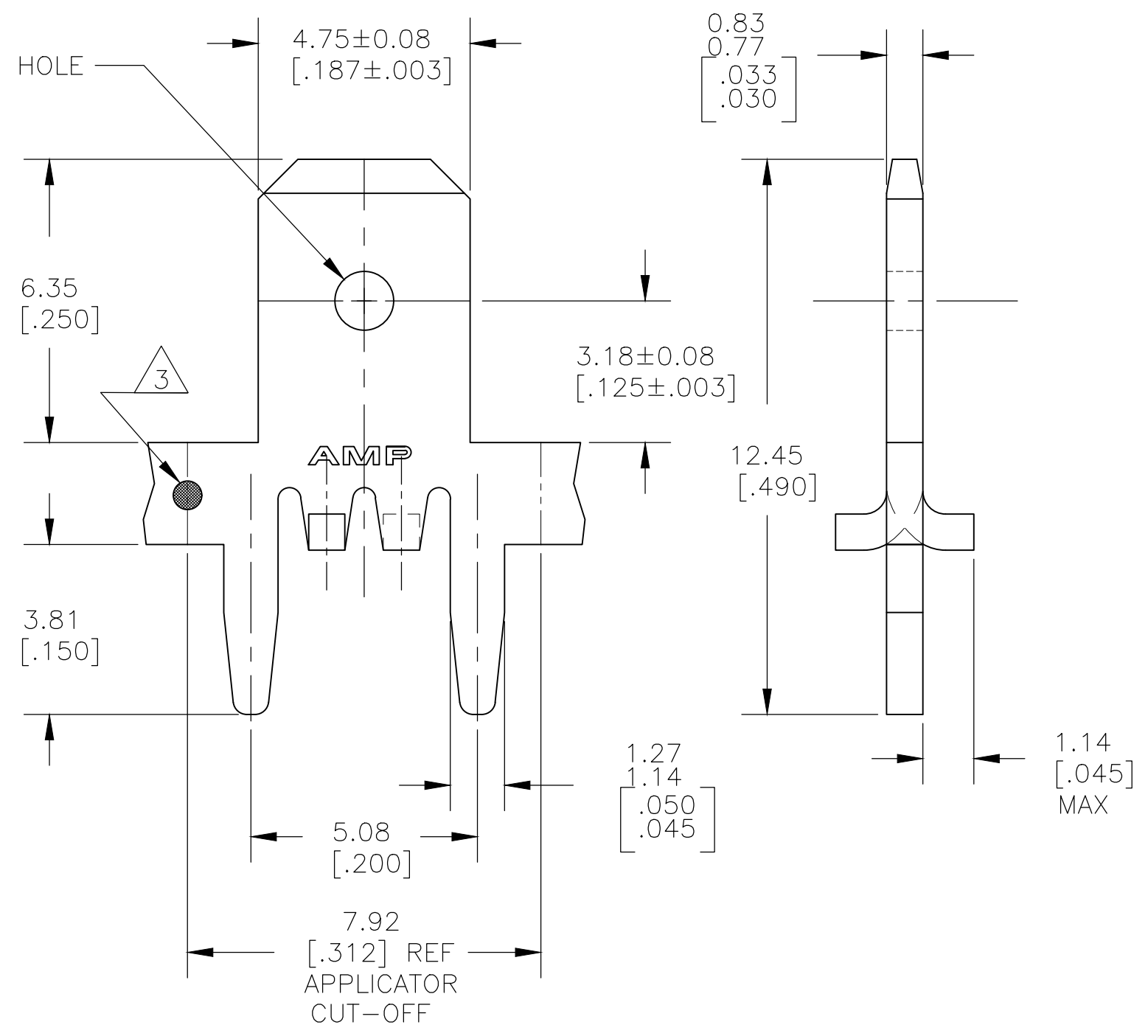
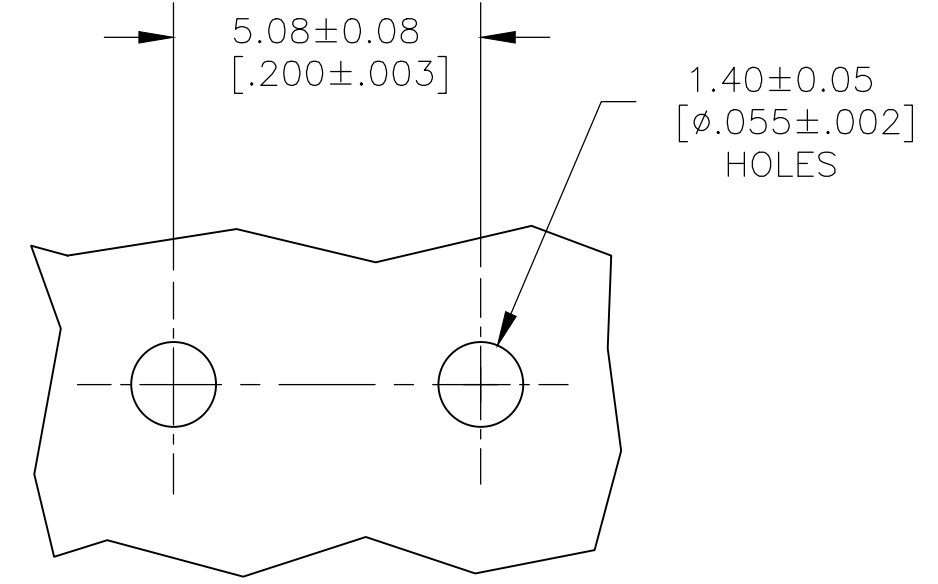


REVISIONS					
P	LTR	DESCRIPTION	DATE	DWN	APVD
	H2	REVISED PER ECR-20-004554	27MAR2020	BH	E.W



- 1 CONTINUOUS STRIP ON REELS.
- 2 TIN PLATE 0.00381 [.000150] MIN OVER 0.00254 [.000100] MIN THK COPPER OR TIN PLATE 0.00381 [.000150] MIN OVER 0.00127 [.000050] MIN THK NICKEL.
- 3 OPTIONAL ID MARK, LOCATED APPROX AS SHOWN.
- 4 BRASS
- 5 BRASS, SPECIAL HARD



P.C. BOARD HOLE PATTERN

	5	1217133-3
1217133-4	4	1217133-1
LOOSE PIECE	MATERIAL	PART NO.

THIS DRAWING IS A CONTROLLED DOCUMENT.		DWN	JR RUTH	28MAR01	STE TE Connectivity				
DIMENSIONS: INCHES		CHK	MS FEHER	28MAR01				NAME TAB, FASTON, P.C.BOARD 4.75 [.187]	
TOLERANCES UNLESS OTHERWISE SPECIFIED:		APVD	N DEIBERT	28MAR01	SIZE A3				
0 PLC ± -		PRODUCT SPEC	-					CAGE CODE	00779
1 PLC ± -		APPLICATION SPEC	114-2115		RESTRICTED TO	-			
2 PLC ± 0.25 [.010]		WEIGHT	0.000000		SCALE	8:1		SHEET	1 OF 1
3 PLC ± -		CUSTOMER DRAWING		REV	H2				
4 PLC ± -		MATERIAL		SEE TABLE		FINISH			
ANGLES ± -		FINISH		2					