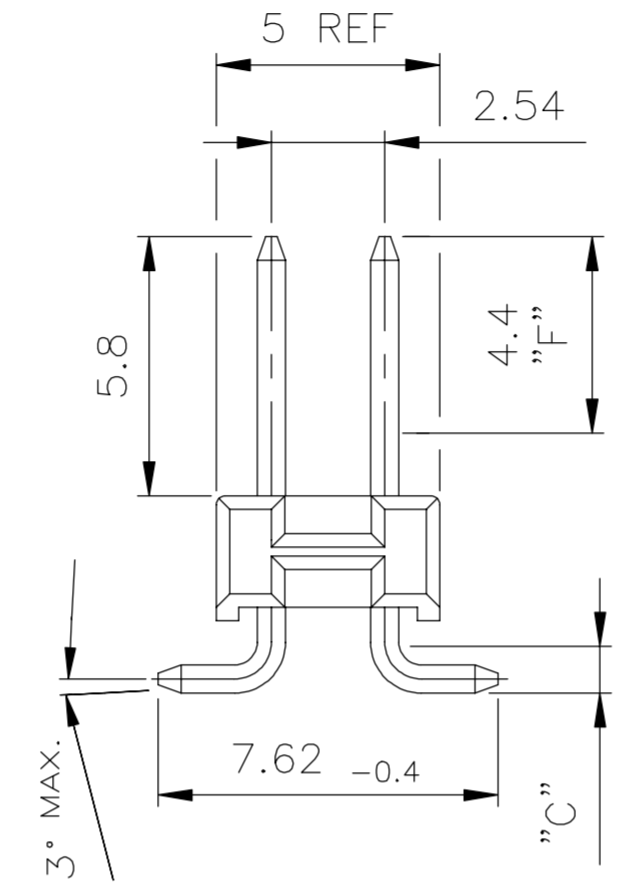
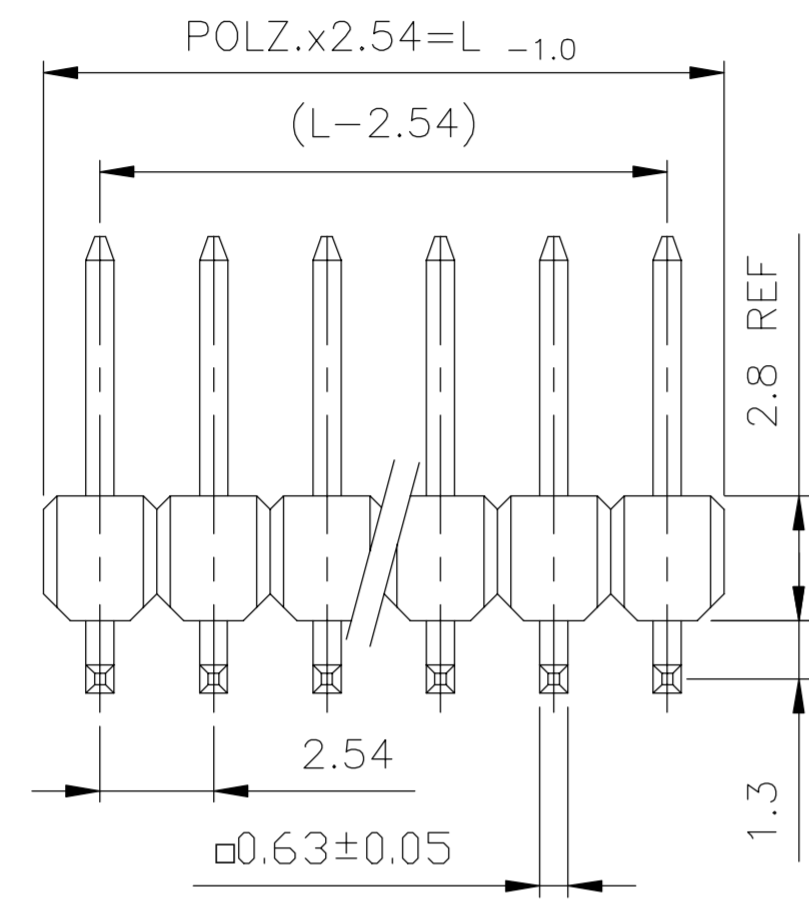
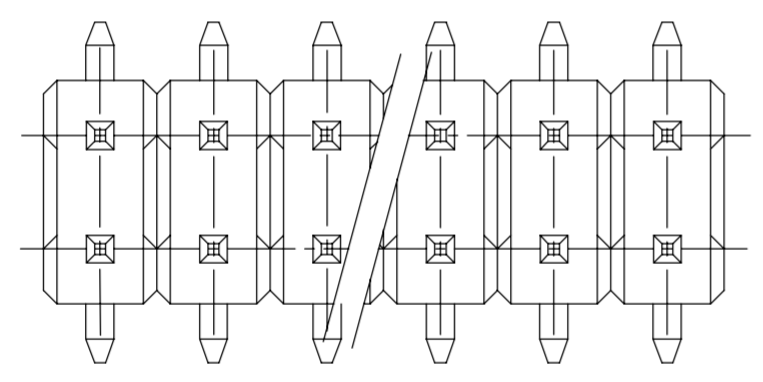
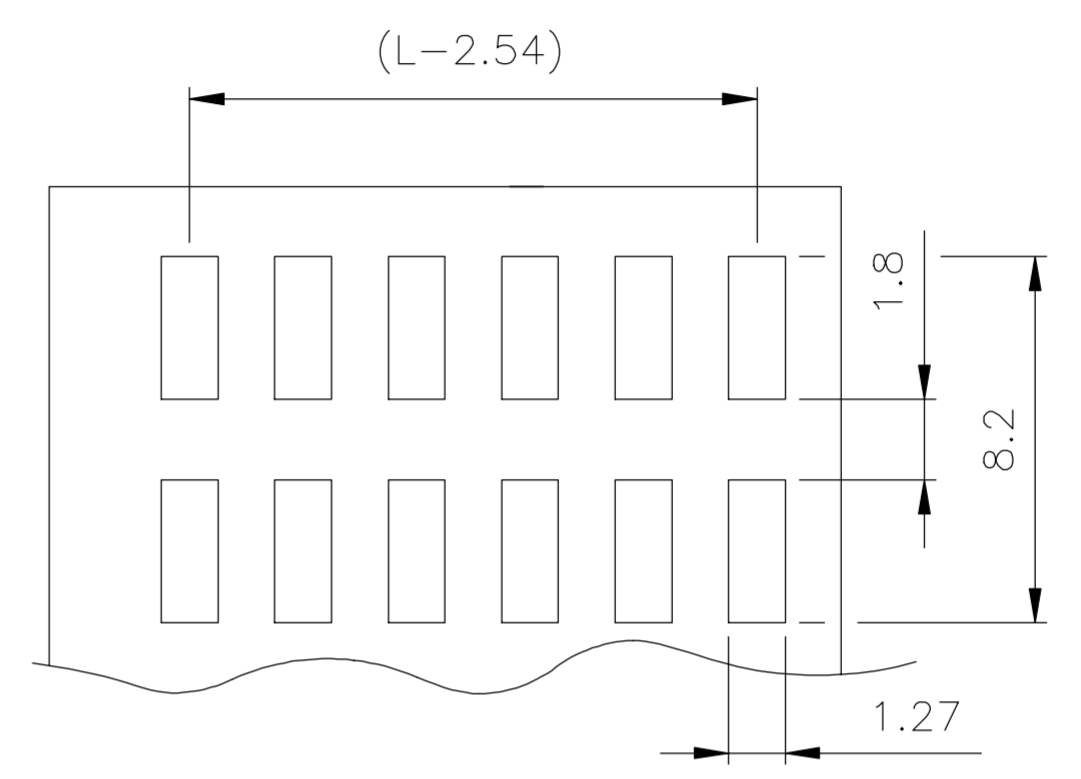


REVISIONS					
P	LTR	DESCRIPTION	DATE	DWN	APVD
	C3	Added Sheet 3	11JUL2023	BGC	PS

Pos.	L _{-1.0}
2	5,08
3	7,62
4	10,16
5	12,7
6	15,24
7	17,78
8	20,32
9	22,86
10	25,4
11	27,94
12	30,48
13	33,02
14	35,56
15	38,1
16	40,64
17	43,18



EMPFOHLENES LEITERPLATTEN LAYOUT
RECOMMENDED PCB-LAYOUT



1 MATING SIDE: Min 0.76µm (PdNi + Au FLASH) IN ZONE "F" OVER Min 1.27µm Ni
(Alternative plating – Min 0.76µm Au plating OVER Min 1.27µm Ni)
SOLDER SIDE: WITHIN THE RANGE "C" MIN. 3.0µm TIN OVER Min 1.27µm Ni

KONTAKTSTIFT / CONTACT PIN	CuZn	1	2
STIFTGEHÄUSE / PIN HOUSING	PCT-GV	SCHWARZ / BLACK	1
BENENNUNG EINZELTEIL PART DESCRIPTION	WERKSTOFF MATERIAL	OBERFLÄCHE / FARBE SURFACE / COLOR	SI No

THIS DRAWING IS A CONTROLLED DOCUMENT.

DIMENSIONS: mm	TOLERANCES UNLESS OTHERWISE SPECIFIED: TOL ± 0.2	DWN F.REICHARDT 16SEP1998	CHK M.SCHAARSCHMIDT 16SEP1998	APVD G.FELDMEIER	NAME AMPMODU II PIN HEADER PACKED IN BLISTER
MATERIAL SEE TABLE	FINISH SEE TABLE	PRODUCT SPEC 108-18012	APPLICATION SPEC	SIZE A2	CAGE CODE 00779
CUSTOMER DRAWING		WEIGHT	SCALE 6:1	DRAWING NO 1241050	RESTRICTED TO REV C3

TE Connectivity Ltd.

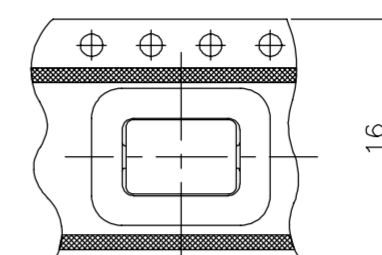
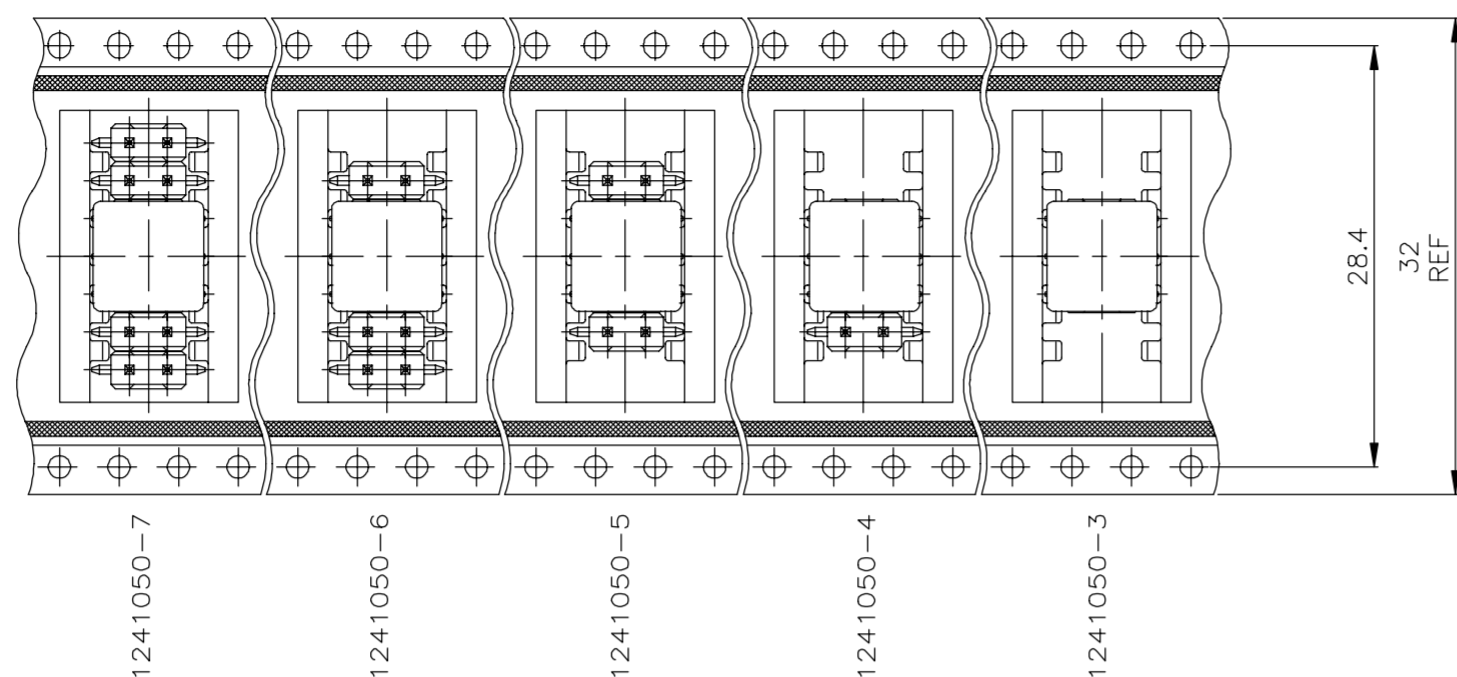
4

3

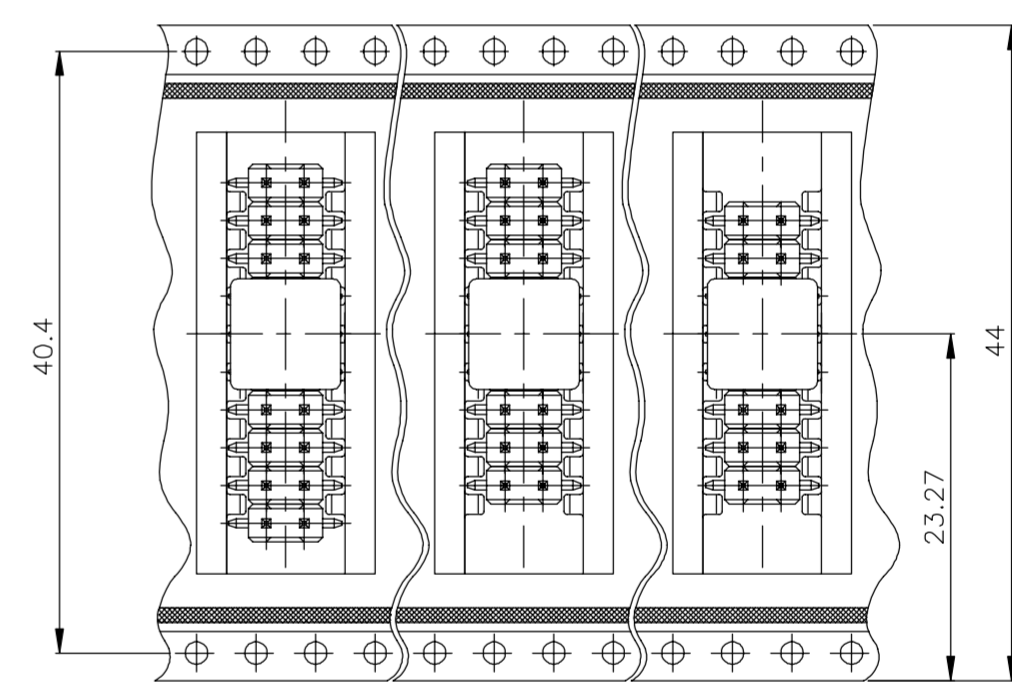
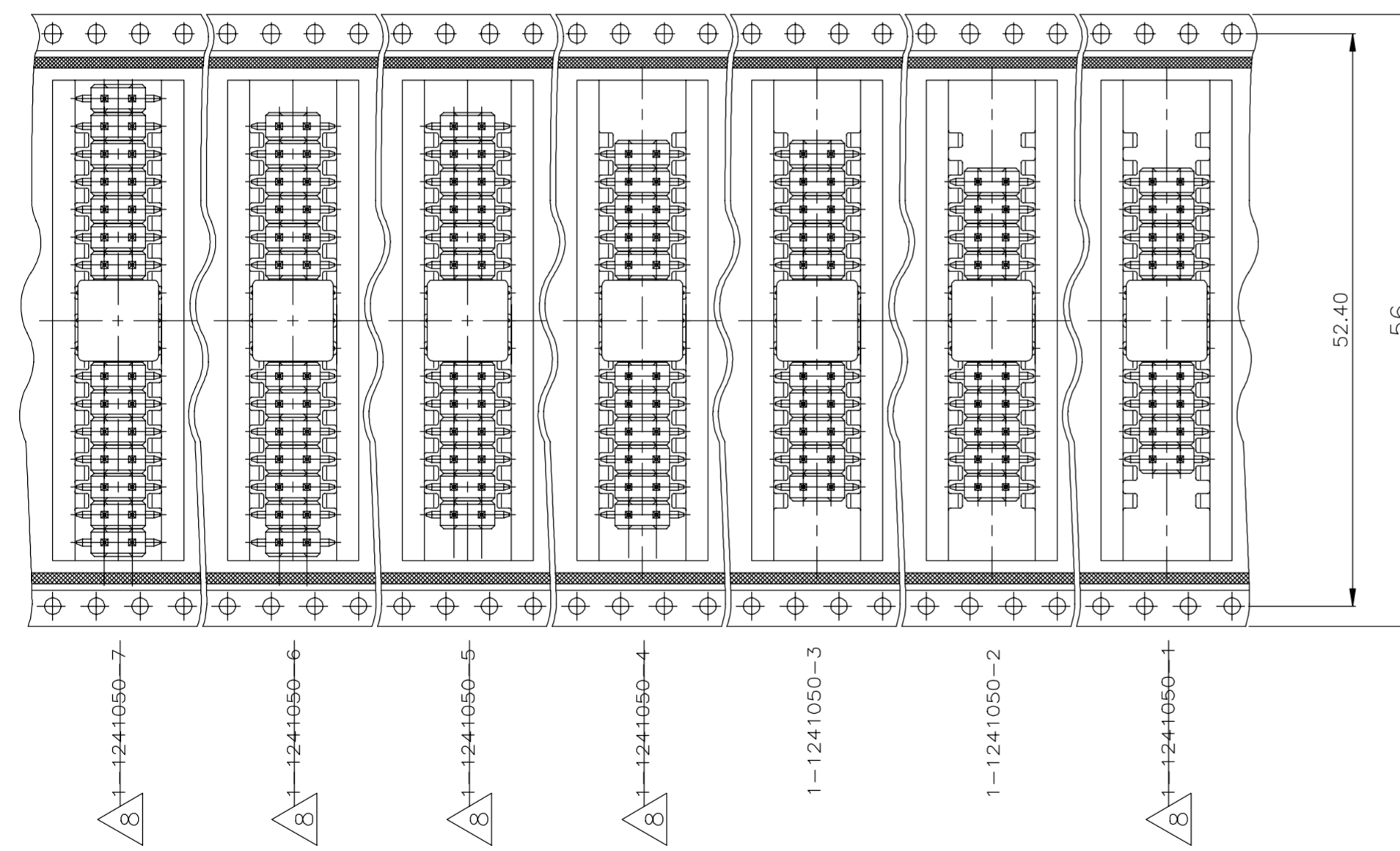
2

1

REVISIONS				
P	LTR	DESCRIPTION	DATE	APVD
-	-	SEE SHEET 1	-	-



1241050-2



THIS DRAWING IS A CONTROLLED DOCUMENT.

DIMENSIONS: mm	TOLERANCES UNLESS OTHERWISE SPECIFIED: 0 PLC ± 0.2 1 PLC ± 0.1 2 PLC ± 0.1 3 PLC ± - 4 PLC ± - ANGLES ± - FINISH -	DWN F.REICHARDT 16SEP1998 CHK M.SCHAARSCHMIDT 16SEP1998 APVD G.FELDMEIER PRODUCT SPEC 108-18012 APPLICATION SPEC - WEIGHT - CUSTOMER DRAWING	NAME AMPMODU II PIN HEADER PACKED IN BLISTER SIZE A2 CAGE CODE 00779 DRAWING NO 1241050 RESTRICTED TO - SCALE 1:1 SHEET 3 OF 3 REV C3
-------------------	---	--	--

TE Connectivity Ltd.

1241050