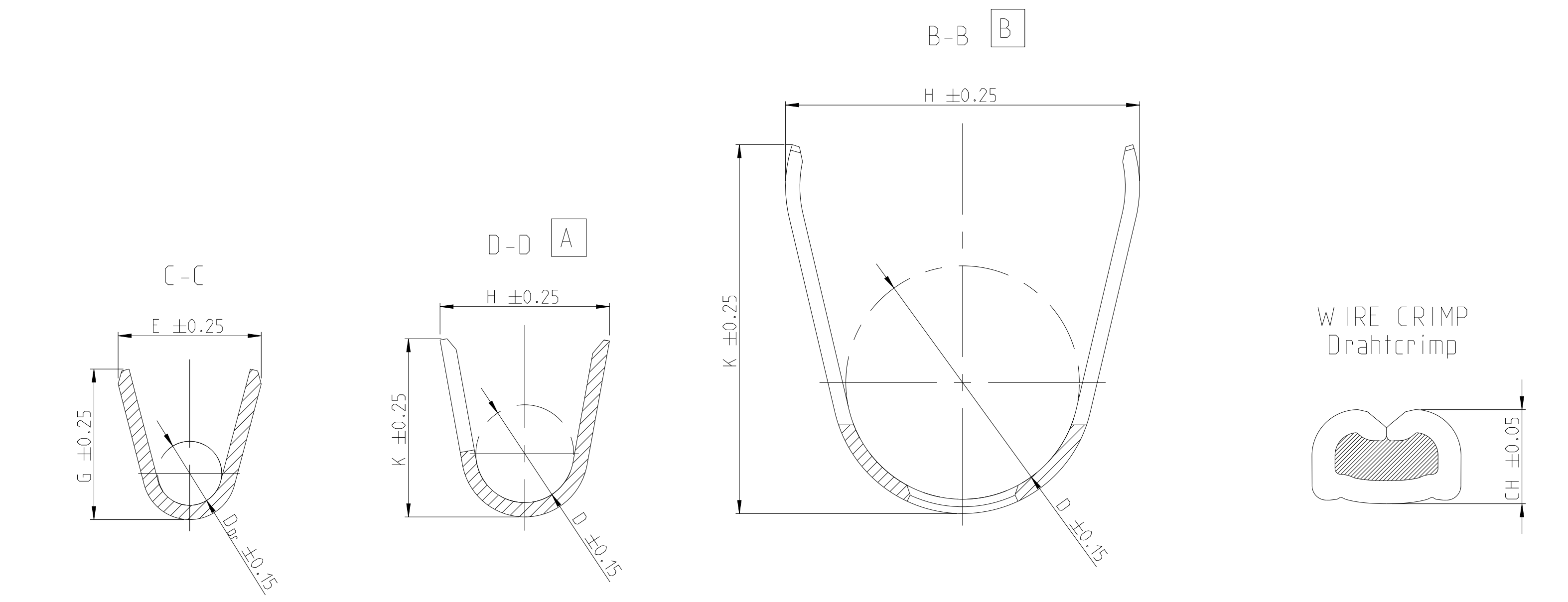
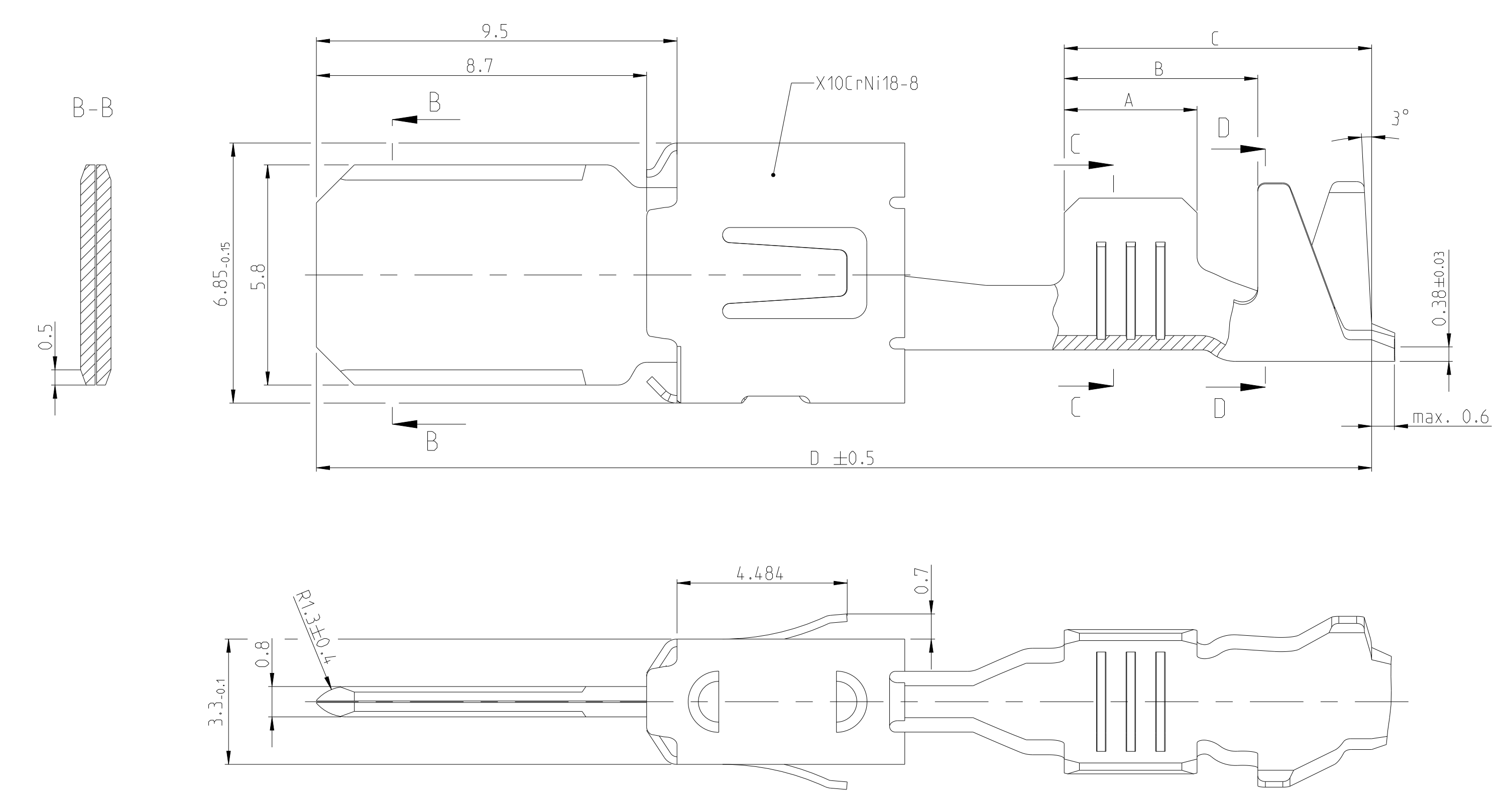


NOTES  
 Bemerkungen  
 CONTACT AREA PRE SILVER MIN. 3µm  
 OTHER AREA PRE SILVER MIN. 1µm  
 SPRING BLANK  
 Kontaktzone vorversilbert min. 3µm  
 uebriger Bereich vorversilbert min. 1µm  
 Ueberfederer blank  
 PRE TIN MIN. 1µm  
 SPRING BLANK  
 Vorverzinkt min. 1µm  
 Ueberfederer blank  
 OBSOLETE  
 Veraltet

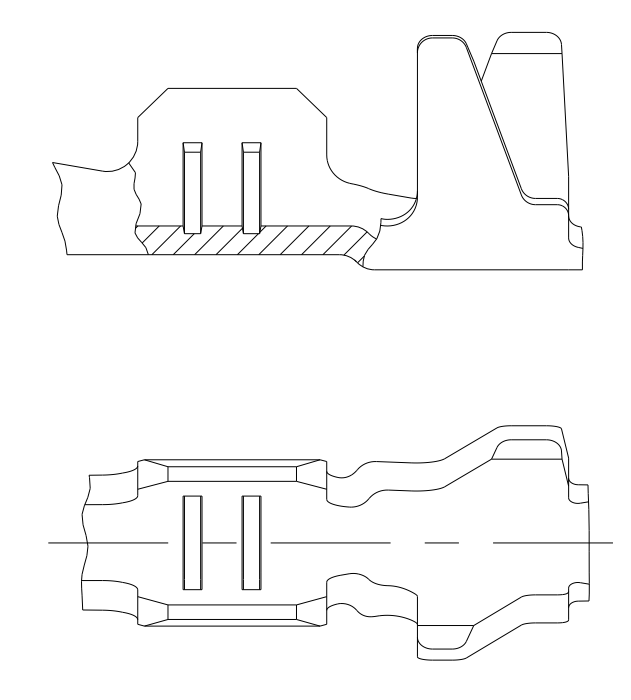


FLR-/FLK-WIRE  
 FLR-/FLK-Leitung

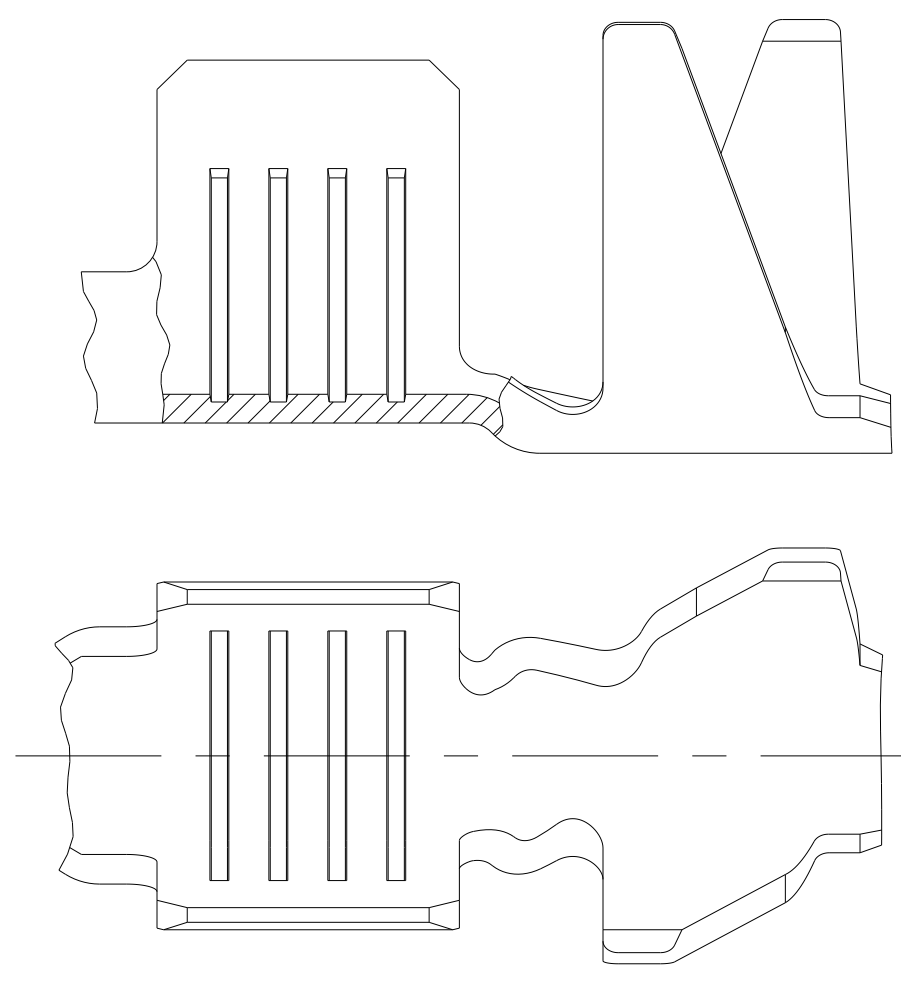
DESIGN 1  
 Ausfuehrung 1



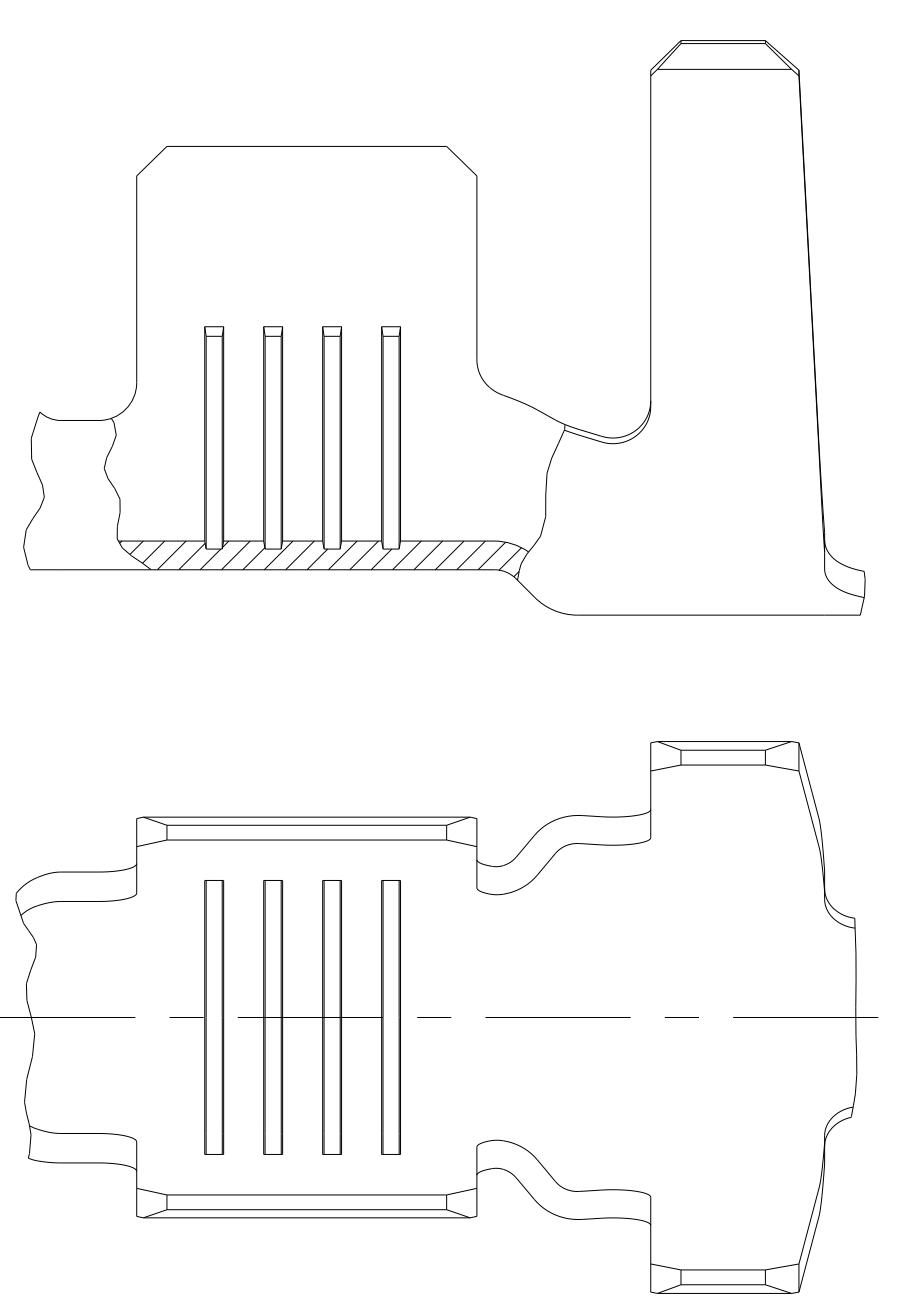
DESIGN 2  
 Ausfuehrung 2



DESIGN 3  
 Ausfuehrung 3

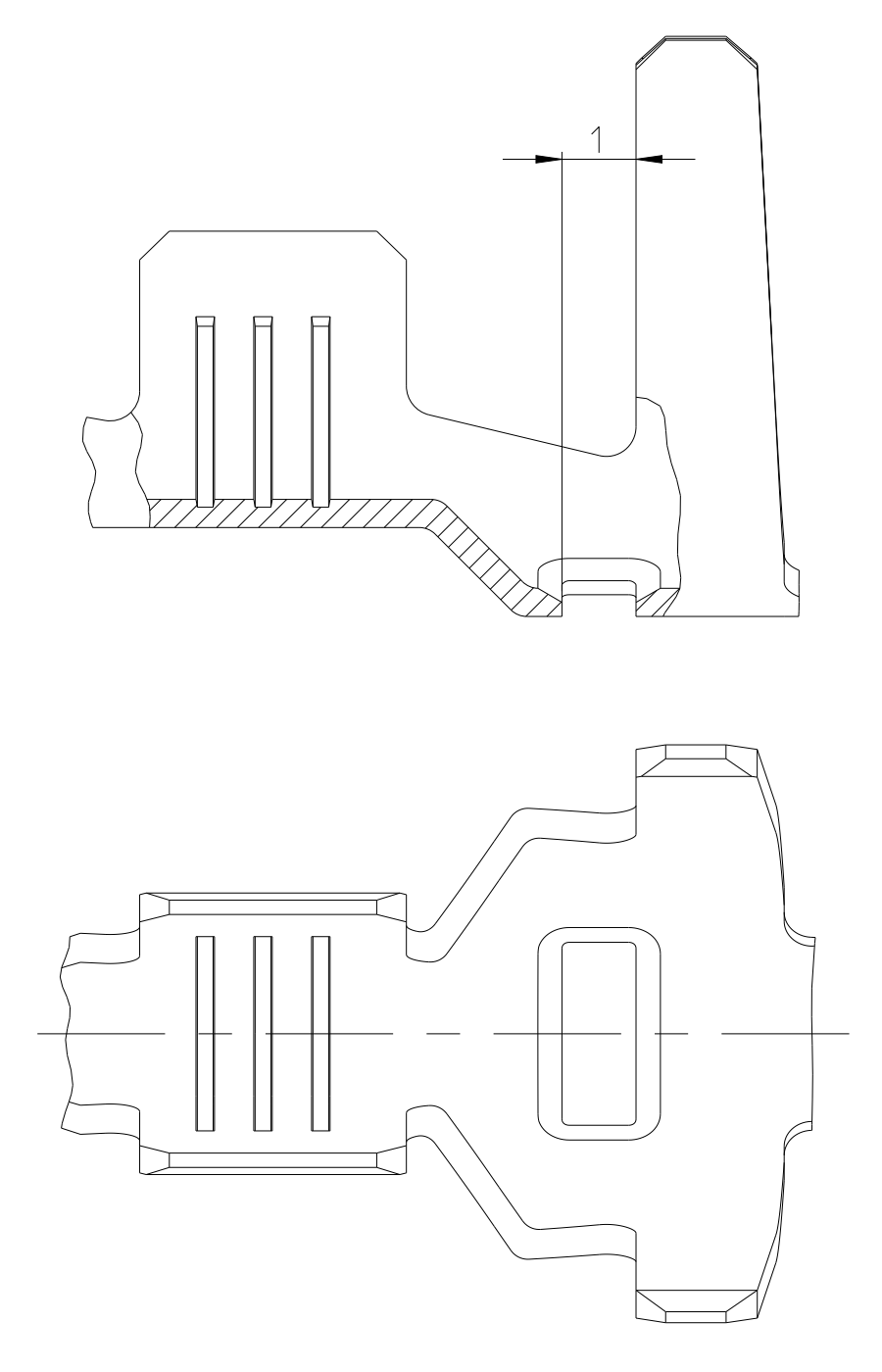


DESIGN 4  
 Ausfuehrung 4

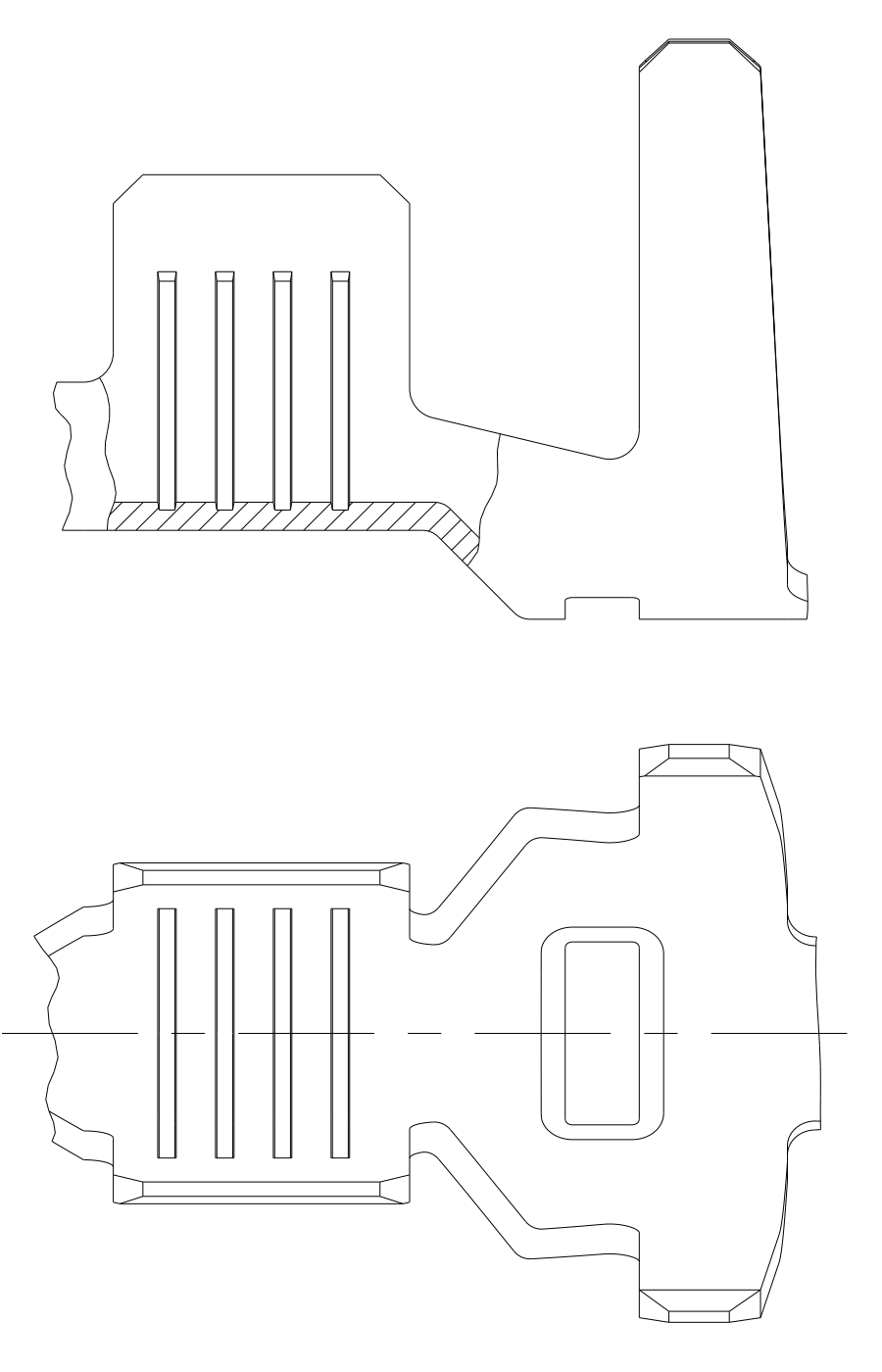


SINGLE WIRE SEAL  
 Einzeldichtungssystem

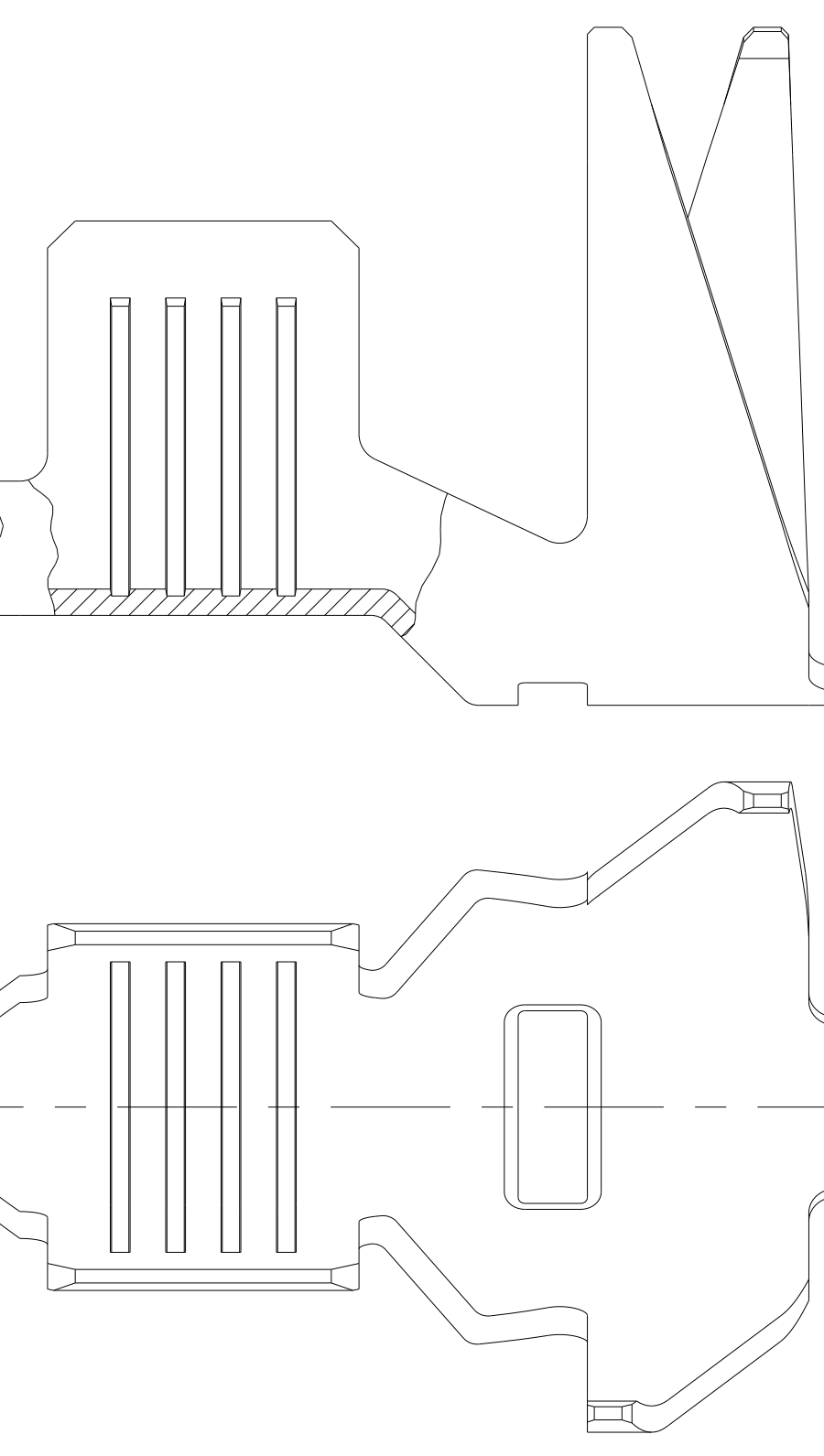
DESIGN 5  
 Ausfuehrung 5



DESIGN 6  
 Ausfuehrung 6



DESIGN 7  
 Ausfuehrung 7



TE ORDER-NO. STRIP FORM TE Bestellnr. Bandware	REV.	DESIGN Ausfuehrung	MATERIAL Werkstoff	SURFACE Oberflaeche	DGB mm²	WIRE CRIMP Drahtcrimp	INSUL. CRIMP Isolationscrimp	WIRE CRIMP HEIGHT CH Drahtcrimphoehe CH	APPLICATION TOOL (MQC APPLICATOR HD) Anschlagwerkzeug	EXTRACTION TOOL Ausdrueckwerkzeug No. 726548-1	A	B	C	D
											SEE / siehe SECTION A-A Schnitt A-A	SEE / siehe SECTION B-B Schnitt B-B	SEE / siehe WIRE CRIMP Drahtcrimp	1855636-6
2-2112966-1		A	7	CuFe2	6.0	E = 5.3 G = 5.7 D <sub>gr</sub> = 2.9	H = 9.4 K = 9.8 D = 6.2	6.0 mm² = 2.35 AWG 10 = 2.30						
2-2112966-2		A	7	CuFe2	6.0	E = 5.3 G = 5.7 D <sub>gr</sub> = 2.9	H = 9.4 K = 9.8 D = 6.2	6.0 mm² = 2.35 AWG 10 = 2.30						
2-962919-2		E	6	CuFe2	4.0	E = 4.6 G = 4.8 D <sub>gr</sub> = 2.3	H = 7.8 K = 7.8 D = 5.5	4.0 mm² = 2.34	2-878567-2		4.0	7.1	9.1	28.3
1-962919-2		D	6	CuSn4	4.0	E = 4.6 G = 4.8 D <sub>gr</sub> = 2.3	H = 7.8 K = 7.8 D = 5.5	4.0 mm² = 2.34	539757-2		4.0	7.1	9.1	28.3
2-962918-2		E	5	CuFe2	>1.0 - 2.5	E = 3.8 G = 4.0 D <sub>gr</sub> = 1.7	H = 7.8 K = 7.8 D = 5.5	2.5 mm² = 1.97 2.0 mm² = 1.83 1.5 mm² = 1.69	2-878566-2		3.6	6.7	8.7	28.3
2-962918-1		E	5	CuFe2	>1.0 - 2.5	E = 3.8 G = 4.0 D <sub>gr</sub> = 1.7	H = 7.8 K = 7.8 D = 5.5	2.5 mm² = 1.97 2.0 mm² = 1.83 1.5 mm² = 1.69	539757-2		3.6	6.7	8.7	28.3
1-962918-2		D	5	CuSn4	>1.0 - 2.5	E = 3.8 G = 4.0 D <sub>gr</sub> = 1.7	H = 7.8 K = 7.8 D = 5.5	2.5 mm² = 1.97 2.0 mm² = 1.83 1.5 mm² = 1.69	539757-2		3.6	6.7	8.7	28.3
1-962918-1		D	5	CuSn4	>1.0 - 2.5	E = 3.8 G = 4.0 D <sub>gr</sub> = 1.7	H = 7.8 K = 7.8 D = 5.5	2.5 mm² = 1.97 2.0 mm² = 1.83 1.5 mm² = 1.69	539757-2		3.6	6.7	8.7	28.3
2-962917-2		D	5	CuSn4	0.5 - 1.0	E = 2.8 G = 3.0 D <sub>gr</sub> = 1.1	H = 7.8 K = 7.8 D = 5.5	1.0 mm² = 1.56 0.75 mm² = 1.47 0.5 mm² = 1.38	2-878565-2		3.0	6.1	8.1	28.3
1-962917-2		D	5	CuSn4	0.5 - 1.0	E = 2.8 G = 3.0 D <sub>gr</sub> = 1.1	H = 7.8 K = 7.8 D = 5.5	1.0 mm² = 1.56 0.75 mm² = 1.47 0.5 mm² = 1.38	539757-2		3.0	6.1	8.1	28.3
1-962917-1		D	5	CuSn4	0.5 - 1.0	E = 2.8 G = 3.0 D <sub>gr</sub> = 1.1	H = 7.8 K = 7.8 D = 5.5	1.0 mm² = 1.56 0.75 mm² = 1.47 0.5 mm² = 1.38	539757-2		3.0	6.1	8.1	28.3
2-968050-1		A	4	CuFe2	6.0	E = 5.3 G = 5.6 D <sub>gr</sub> = 2.9	H = 7.3 K = 7.6 D = 4.6	6.0 mm² = 2.55 4.0 mm² = 2.17	2-878968-2		4.5	6.8	9.1	28.8
1-968050-1		A	4	CuSn4	4.0	E = 5.3 G = 5.6 D <sub>gr</sub> = 2.9	H = 7.3 K = 7.6 D = 4.6	6.0 mm² = 2.55 4.0 mm² = 2.17	2-878968-2		4.5	6.8	9.1	28.8
2-962846-1		D	3	CuFe2	4.0	E = 4.6 G = 4.8 D <sub>gr</sub> = 2.4	H = 6.7 K = 7.0 D = 4.0	4.0 mm² = 2.33	2-878564-2		4.0	6.0	10.8	30.5
1-962846-2		C	3	CuSn4	4.0	E = 4.6 G = 4.8 D <sub>gr</sub> = 2.4	H = 6.7 K = 7.0 D = 4.0	4.0 mm² = 2.33	539759-2		4.0	6.0	10.8	30.5
1-962845-2		D	1	CuSn4	>1.0 - 2.5	E = 3.8 G = 4.0 D <sub>gr</sub> = 1.7	H = 5.7 K = 5.9 D = 3.2	2.5 mm² = 1.97 2.0 mm² = 1.83 1.5 mm² = 1.69	2-878563-2		3.6	5.2	9.0	28.7
1-962845-1		D	1	CuSn4	>1.0 - 2.5	E = 3.8 G = 4.0 D <sub>gr</sub> = 1.7	H = 5.7 K = 5.9 D = 3.2	2.5 mm² = 1.97 2.0 mm² = 1.83 1.5 mm² = 1.69	539759-2		3.6	5.2	9.0	28.7
2-968050-2		A	4	CuFe2	6.0	E = 5.3 G = 5.6 D <sub>gr</sub> = 2.9	H = 7.3 K = 7.6 D = 4.6	6.0 mm² = 2.35	2836646		4.5	6.8	9.1	28.8
2-963736-2		C	3	CuFe2	4.0	E = 4.6 G = 4.8 D <sub>gr</sub> = 2.3	H = 5.5 K = 5.7 D = 3.2	4.0 mm² = 2.33	2-878562-2		4.0	5.9	9.3	29.0
2-963736-1		C	3	CuFe2	4.0	E = 4.6 G = 4.8 D <sub>gr</sub> = 2.3	H = 5.5 K = 5.7 D = 3.2	4.0 mm² = 2.33	2-878562-2		4.0	5.9	9.3	29.0
1-963736-2		B	3	CuSn4	4.0	E = 4.6 G = 4.8 D <sub>gr</sub> = 2.3	H = 5.5 K = 5.7 D = 3.2	4.0 mm² = 2.33	2-878562-2		4.0	5.9	9.3	29.0
1-963736-1		B	3	CuSn4	4.0	E = 4.6 G = 4.8 D <sub>gr</sub> = 2.3	H = 5.5 K = 5.7 D = 3.2	4.0 mm² = 2.33	2-878562-2		4.0	5.9	9.3	29.0
2-963735-2		C	1	CuFe2	>1.0 - 2.5	E = 3.8 G = 4.0 D <sub>gr</sub> = 1.7	H = 4.5 K = 4.7 D = 2.6	2.5 mm² = 1.97 2.0 mm² = 1.83 1.5 mm² = 1.69	2-878561-2		3.5	5.1	8.1	27.8
2-963735-1		C	1	CuFe2	>1.0 - 2.5	E = 3.8 G = 4.0 D <sub>gr</sub> = 1.7	H = 4.5 K = 4.7 D = 2.6	2.5 mm² = 1.97 2.0 mm² = 1.83 1.5 mm² = 1.69	2-878561-2		3.5	5.1	8.1	27.8
1-963735-2		B	1	CuSn4	>1.0 - 2.5	E = 3.8 G = 4.0 D <sub>gr</sub> = 1.7	H = 4.5 K = 4.7 D = 2.6	2.5 mm² = 1.97 2.0 mm² = 1.83 1.5 mm² = 1.69	2-878561-2		3.5	5.1	8.1	27.8
1-963735-1		B	1	CuSn4	>1.0 - 2.5	E = 3.8 G = 4.0 D <sub>gr</sub> = 1.7	H = 4.5 K = 4.7 D = 2.6	2.5 mm² = 1.97 2.0 mm² = 1.83 1.5 mm² = 1.69	2-878561-2		3.5	5.1	8.1	27.8
2-963734-2		C	1	CuFe2	0.5 - 1.0	E = 2.8 G = 3.0 D <sub>gr</sub> = 1.1	H = 3.3 K = 3.5 D = 1.8	1.0 mm² = 1.56 0.75 mm² = 1.47 0.5 mm² = 1.38	2-878654-2		3.0	4.6	6.8	26.5
2-963734-1		C	1	CuFe2	0.5 - 1.0	E = 2.8 G = 3.0 D <sub>gr</sub> = 1.1	H = 3.3 K = 3.5 D = 1.8	1.0 mm² = 1.56 0.75 mm² = 1.47 0.5 mm² = 1.38	2-878654-2		3.0	4.6	6.8	26.5
1-963734-2		B	1	CuSn4	0.5 - 1.0	E = 2.8 G = 3.0 D <sub>gr</sub> = 1.1	H = 3.3 K = 3.5 D = 1.8	1.0 mm² = 1.56 0.75 mm² = 1.47 0.5 mm² = 1.38	539759-2		3.0	4.6	6.8	26.5
1-963734-1		B	1	CuSn4	0.5 - 1.0	E = 2.8 G = 3.0 D <sub>gr</sub> = 1.1	H = 3.3 K = 3.5 D = 1.8	1.0 mm² = 1.56 0.75 mm² = 1.47 0.5 mm² = 1.38	539759-2		3.0	4.6	6.8	26.5
2-965984-1		A	2	CuFe2	0.2 - 0.5	E = 2.2 G = 2.2 D <sub>gr</sub> = 0.8	H = 3.1 K = 3.1 D = 1.4	-	-		2.5	3.7	5.7	26.5
1-965984-1		B	2	CuSn4	0.2 - 0.5	E = 2.2 G = 2.2 D <sub>gr</sub> = 0.8	H = 3.1 K = 3.1 D = 1.4	-	-		2.5	3.7	5.7	26.5