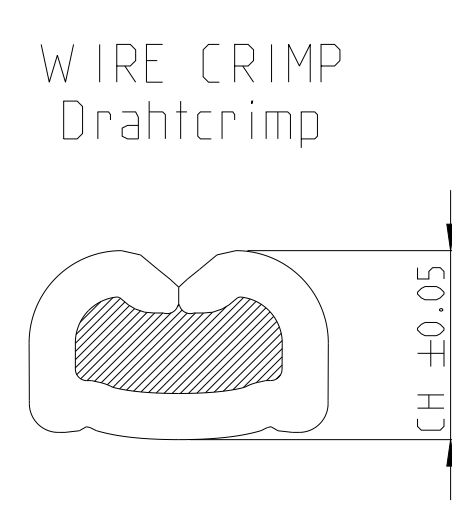
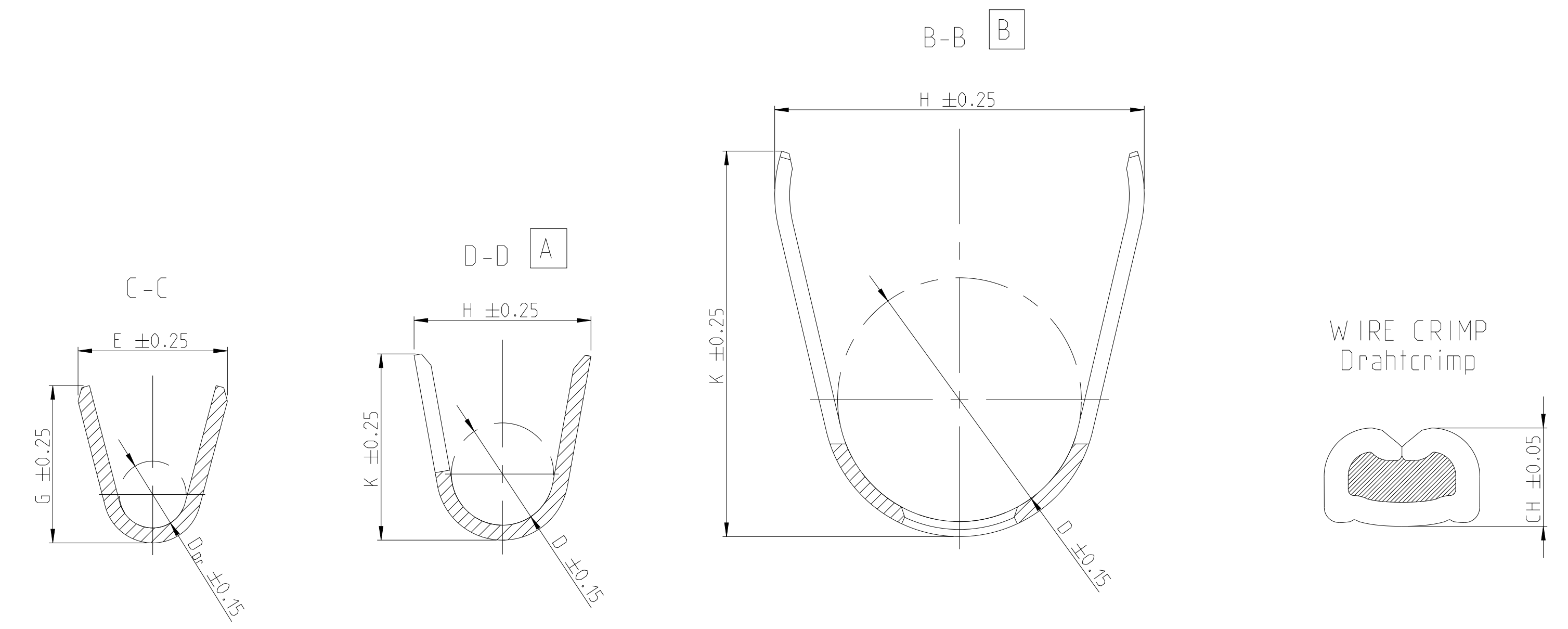


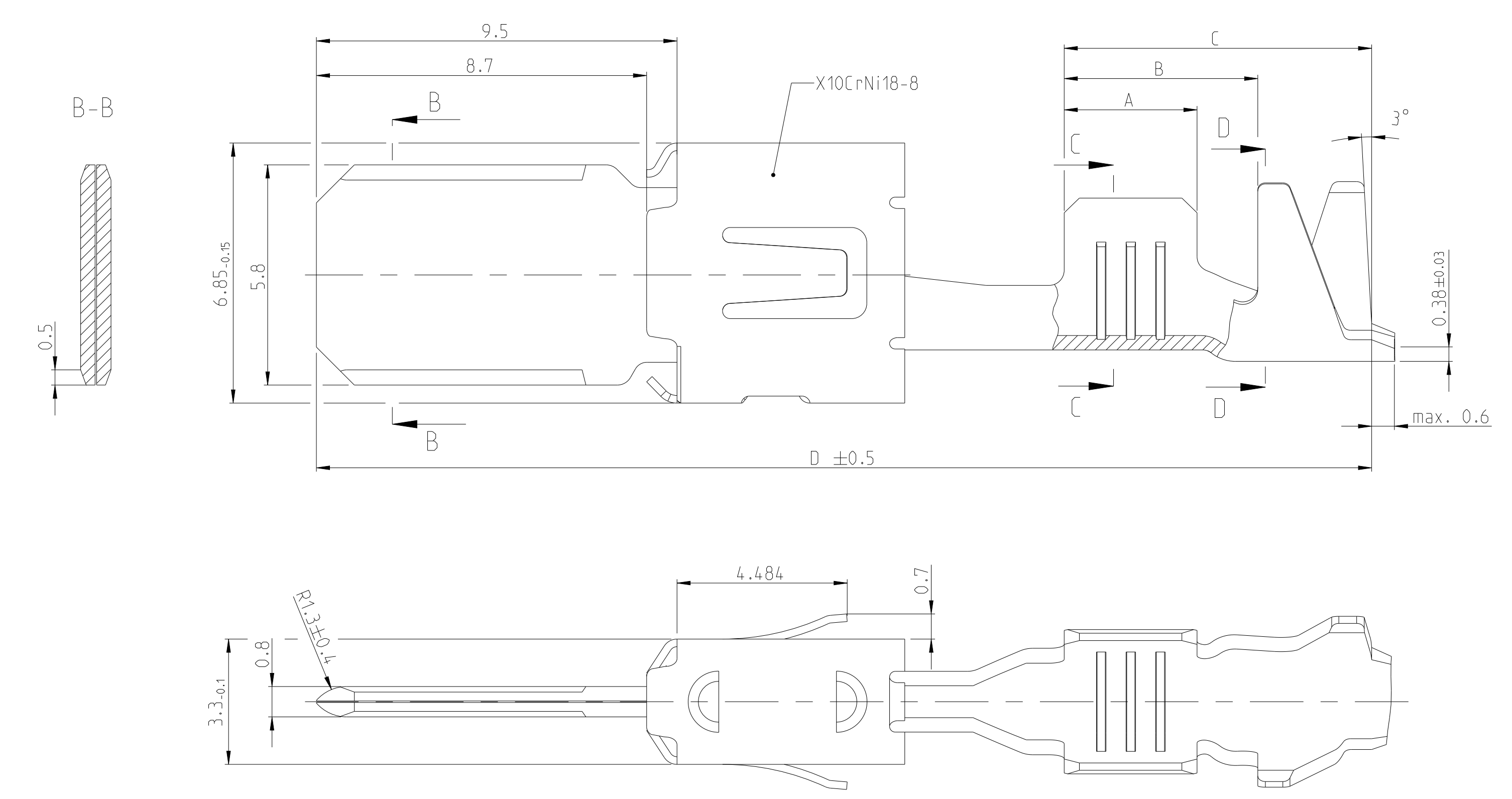
- NOTES
 Bemerkungen
- CONTACT AREA PRE SILVER MIN. 3µm
 OTHER AREA PRE SILVER MIN. 1µm
 SPRING BLANK
 Kontaktzone vorversilbert min. 3µm
 uebriger Bereich vorversilbert min. 1µm
 Ueberfederer blank
 - PRE TIN MIN. 1µm
 SPRING BLANK
 Vorverzinkt min. 1µm
 Ueberfederer blank
 - OBSOLETE
 Veraltet

A11

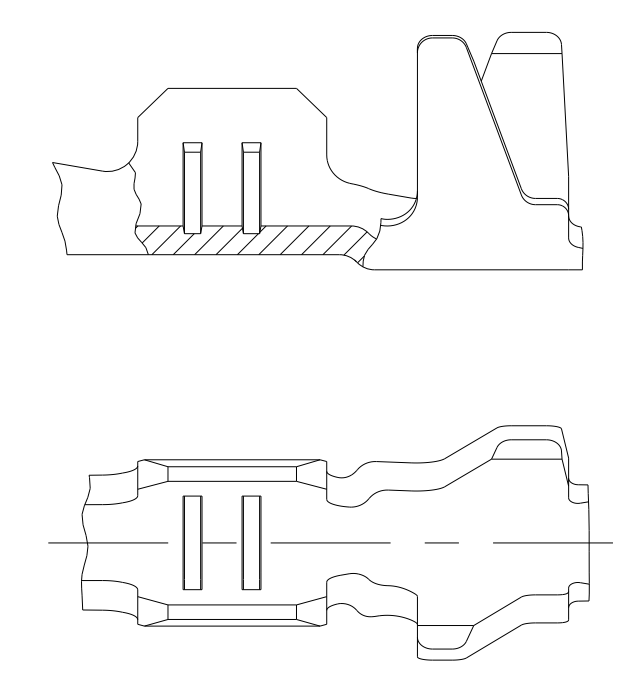


FLR-/FLK-WIRE
 FLR-/FLK-Leitung

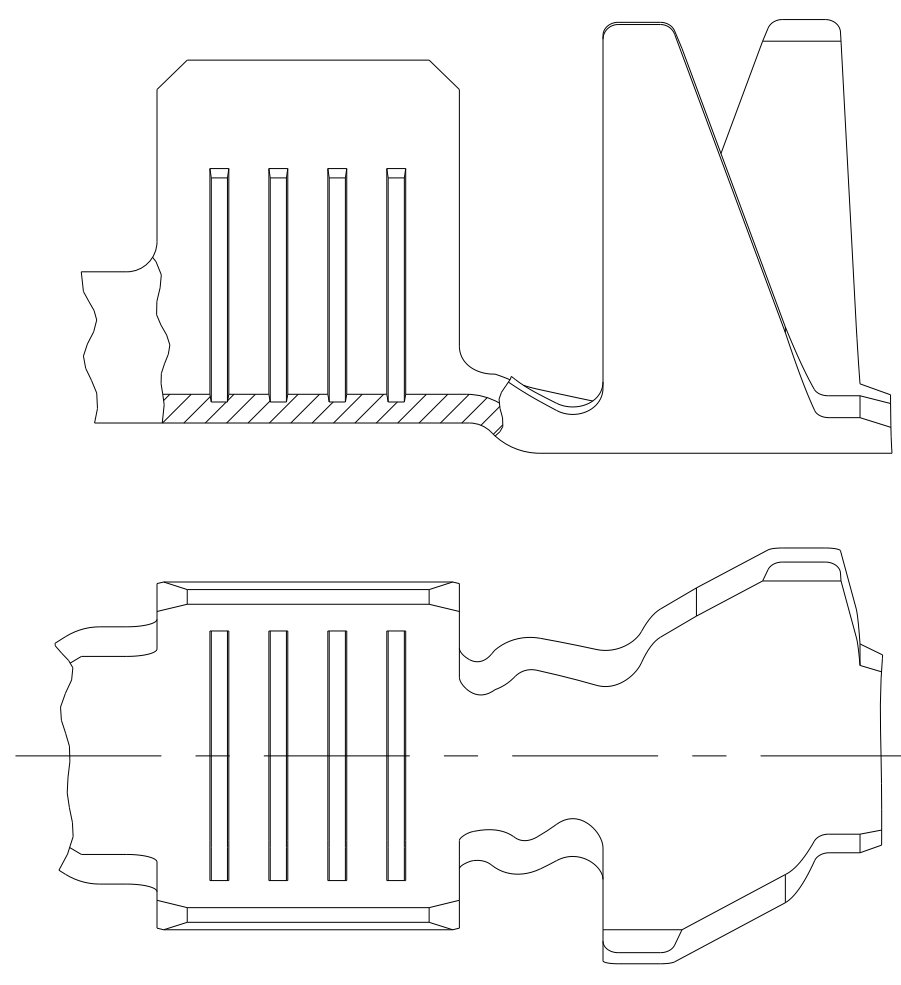
DESIGN 1
 Ausfuehrung 1



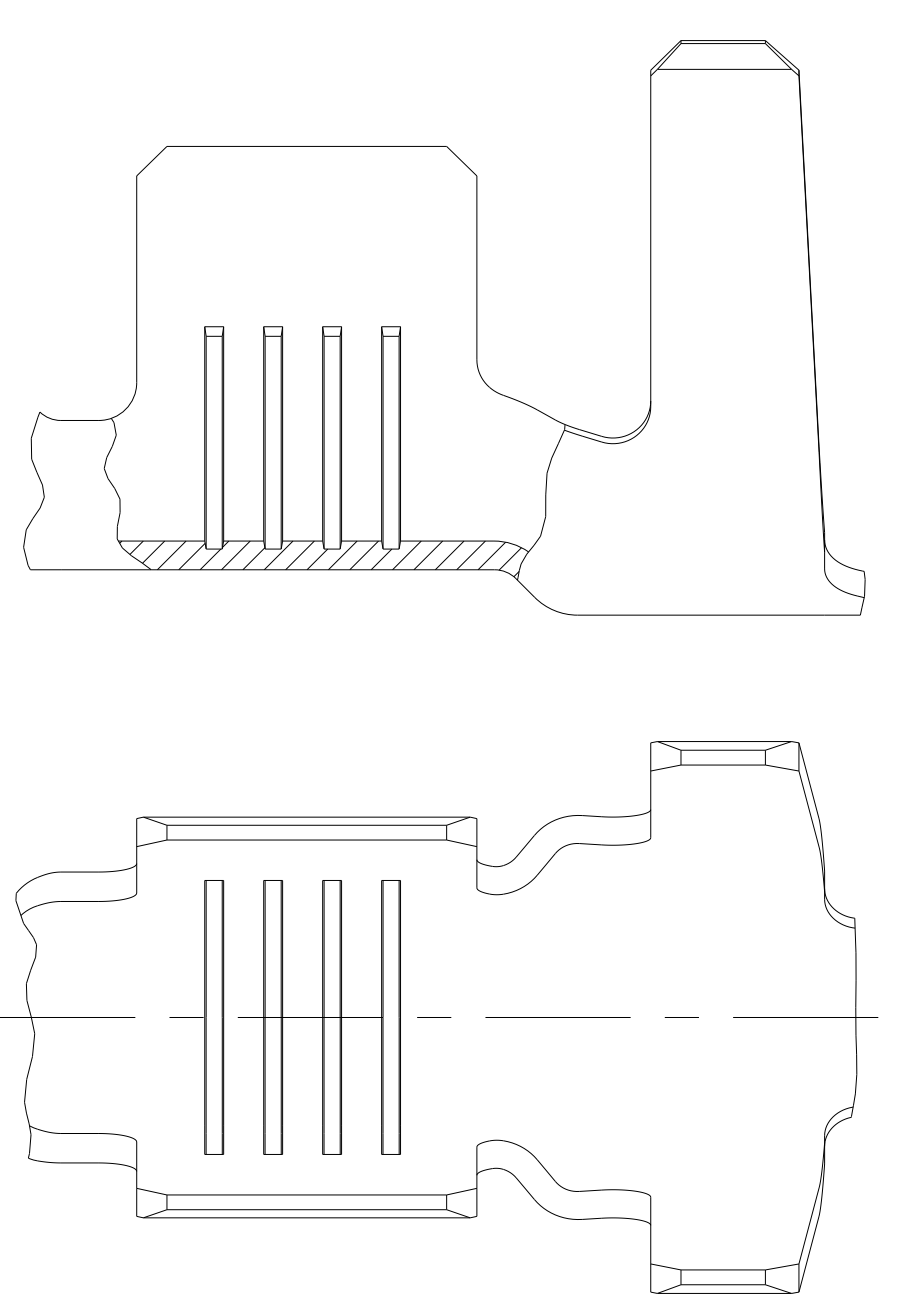
DESIGN 2
 Ausfuehrung 2



DESIGN 3
 Ausfuehrung 3

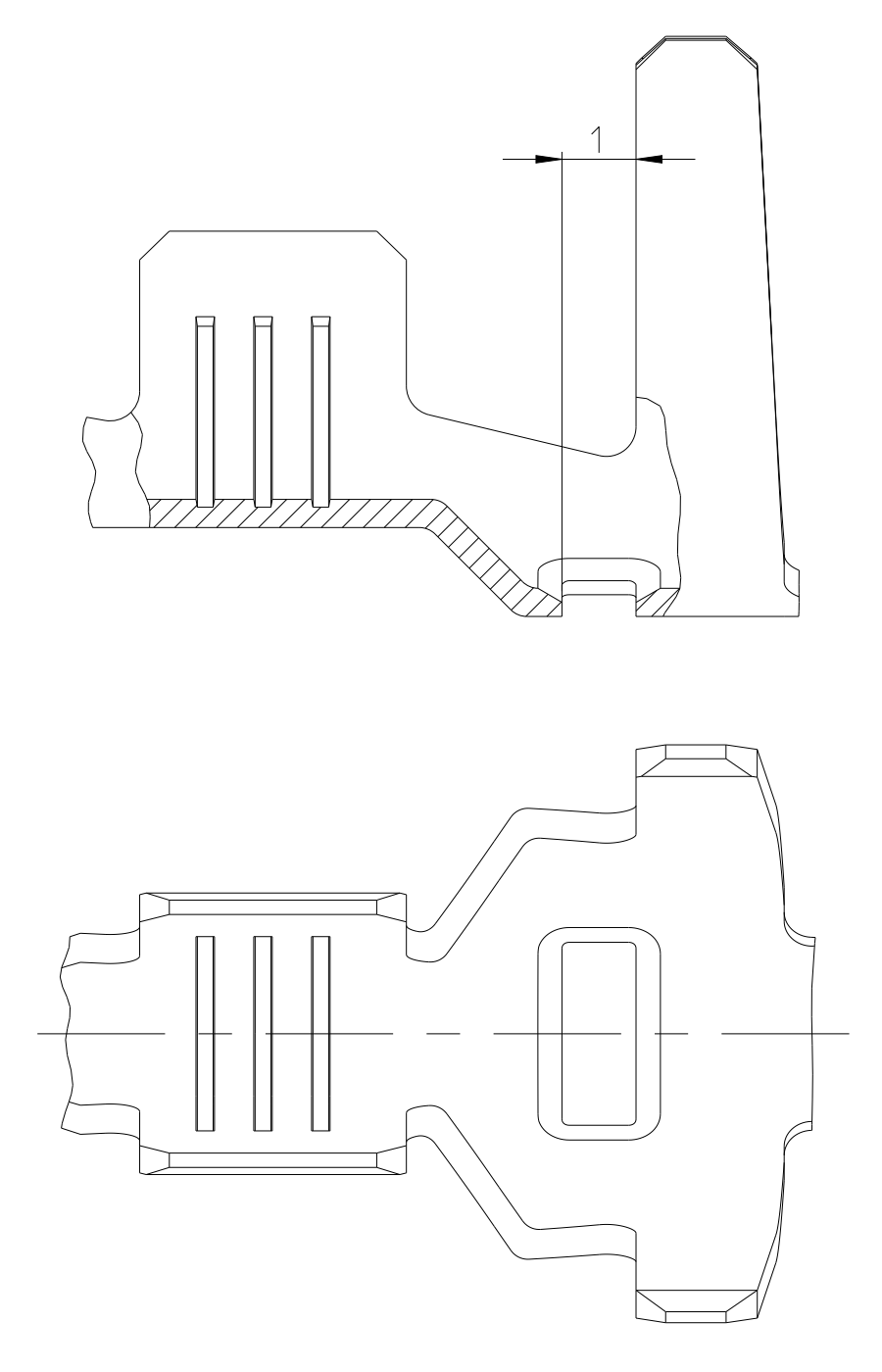


DESIGN 4
 Ausfuehrung 4

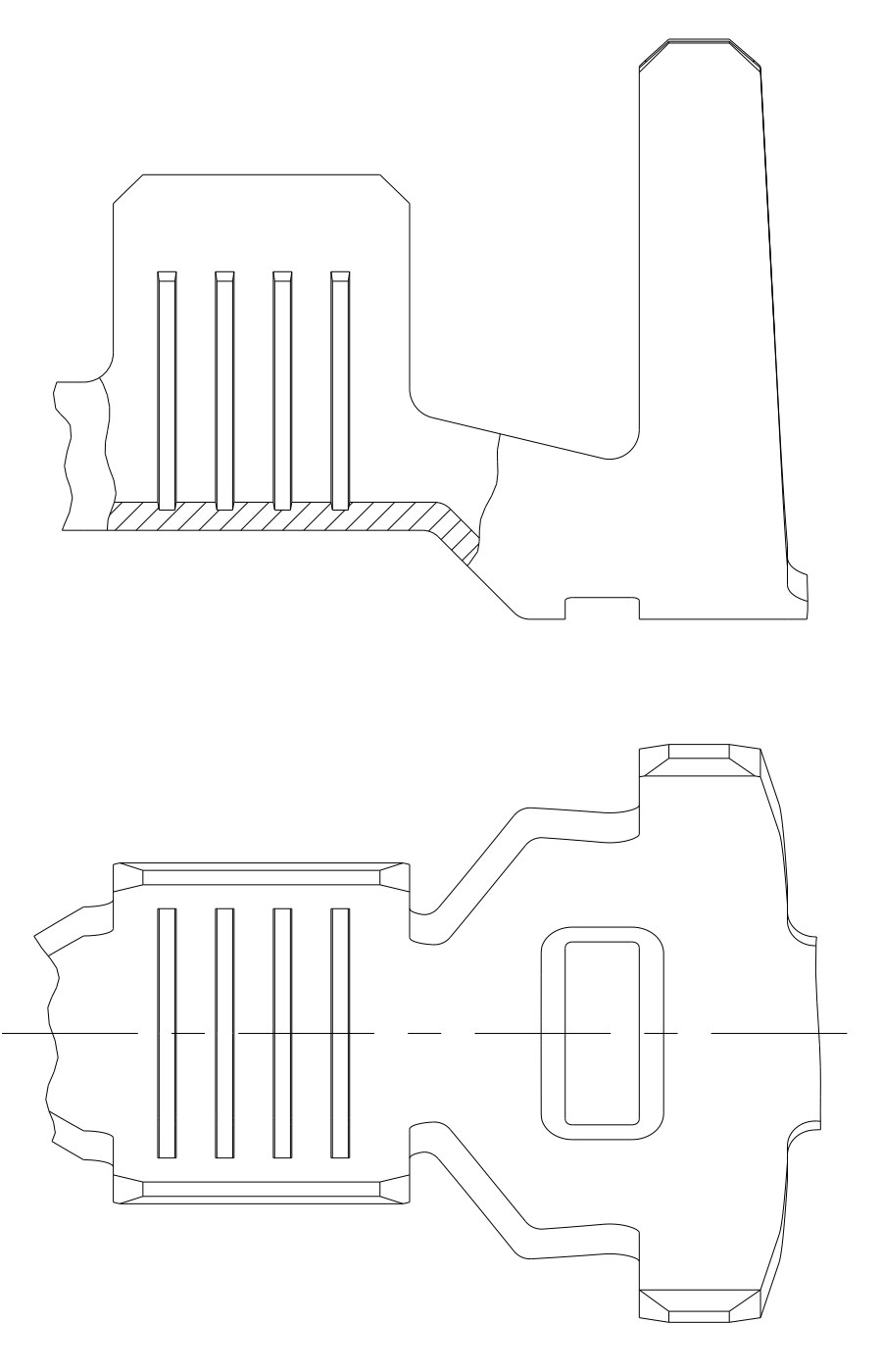


SINGLE WIRE SEAL
 Einzeldichtungssystem

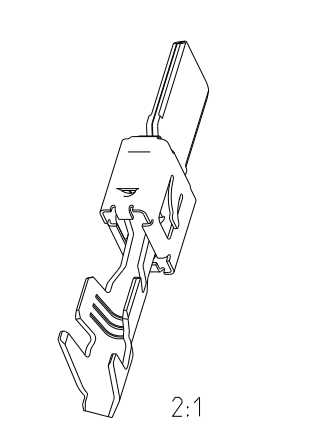
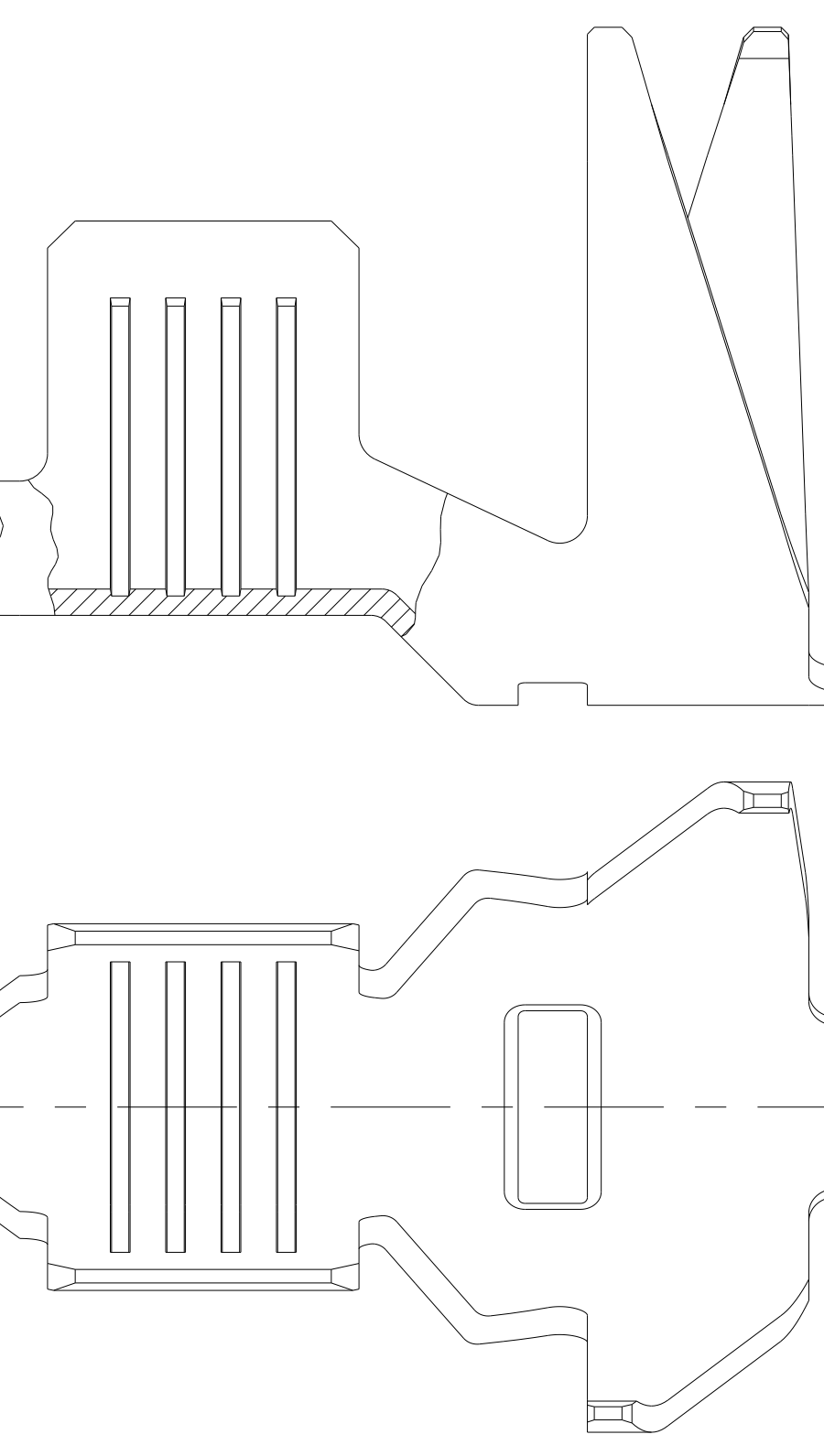
DESIGN 5
 Ausfuehrung 5



DESIGN 6
 Ausfuehrung 6



DESIGN 7
 Ausfuehrung 7



SINGLE WIRE SEAL / Einzeldichtungssystem	Part No.	Rev.	Material	Surface	DGB	WIRE CRIMP Drahtcrimp	INSUL. CRIMP Isolationscrimp	WIRE CRIMP HEIGHT CH Drahtcrimphoehe CH	APPLICATION TOOL (MQC APPLICATOR HD) Anschlagwerkzeug	EXTRACTION TOOL Ausdrueckwerkzeug No. 726548-1	A	B	C	D			
															SEE / siehe SECTION A-A Schnitt A-A	SEE / siehe SECTION B-B Schnitt B-B	SEE / siehe WIRE CRIMP Drahtcrimp
SINGLE WIRE SEAL / Einzeldichtungssystem	2-2112966-2	A	CuFe2	△	6.0 AWG 10	E = 5.3 G = 5.7 D _{gr} = 2.9	H = 9.4 K = 9.8 D = 6.2	6.0 mm ² = 2.35 AWG 10 = 2.30	1855636-6		4.5	7.8	11.0	29.3			
	2-962919-2	E	CuFe2	△	4.0	E = 4.6 G = 4.8 D _{gr} = 2.3	H = 7.8 K = 7.8 D = 5.5	4.0 mm ² = 2.34	2-878567-2		4.0	7.1	9.1	28.3			
	1-962919-2	D	CuSn4	△					539757-2								
	1-962919-1	D	CuSn4	△													
	SINGLE WIRE SEAL / Einzeldichtungssystem	2-962918-2	E	CuFe2	△	>1.0 - 2.5	E = 3.8 G = 4.0 D _{gr} = 1.7	H = 7.8 K = 7.8 D = 5.5	2.5 mm ² = 1.97 2.0 mm ² = 1.83 1.5 mm ² = 1.69	2-878566-2		3.6	6.7	8.7	28.3		
		2-962918-1	E	CuFe2	△												
		1-962918-2	D	CuSn4	△					539757-2							
		SINGLE WIRE SEAL / Einzeldichtungssystem	2-962917-1	E	CuFe2	△	0.5 - 1.0	E = 2.8 G = 3.0 D _{gr} = 1.1	H = 7.8 K = 7.8 D = 5.5	1.0 mm ² = 1.56 0.75 mm ² = 1.47 0.5 mm ² = 1.38	2-878565-2		3.0	6.1	8.1	28.3	
			1-962917-2	D	CuSn4	△					539757-2						
1-962917-1			D	CuSn4	△												
FLK-WIRE / FLK-Leitung	2-968050-1	A	CuFe2	△	6.0	E = 5.3 G = 5.6 D _{gr} = 2.9	H = 7.3 K = 7.6 D = 4.6	6.0 mm ² = 2.55 4.0 mm ² = 2.17	2-878968-2		4.5	6.8	9.1	28.8			
	1-968050-1	A	CuSn4	△	4.0												
	2-962846-1	D	CuFe2	△	4.0	E = 4.6 G = 4.8 D _{gr} = 2.4	H = 6.7 K = 7.0 D = 4.0	4.0 mm ² = 2.33	2-878564-2		4.0	6.0	10.8	30.5			
	1-962846-2	C	CuSn4	△						539759-2							
	1-962846-1	C	CuSn4	△													
	FLK-WIRE / FLK-Leitung	1-962845-2	D	CuSn4	△	>1.0 - 2.5	E = 3.8 G = 4.0 D _{gr} = 1.7	H = 5.7 K = 5.9 D = 3.2	2.5 mm ² = 1.97 2.0 mm ² = 1.83 1.5 mm ² = 1.69	2-878563-2		3.6	5.2	9.0	28.7		
1-962845-1		D	CuSn4	△					539759-2								
FLR-WIRE / FLR-Leitung	2-968050-2	A	CuFe2	△	6.0	E = 5.3 G = 5.6 D _{gr} = 2.9	H = 7.3 K = 7.6 D = 4.6	6.0 mm ² = 2.35	2836646		4.5	6.8	9.1	28.8			
	2-963736-2	C	CuFe2	△	4.0	E = 4.6 G = 4.8 D _{gr} = 2.3	H = 5.5 K = 5.7 D = 3.2	4.0 mm ² = 2.33	2-878562-2		4.0	5.9	9.3	29.0			
	2-963736-1	C	CuFe2	△													
	1-963736-2	B	CuSn4	△													
	FLR-WIRE / FLR-Leitung	2-963736-1	B	CuSn4	△	>1.0 - 2.5	E = 3.8 G = 4.0 D _{gr} = 1.7	H = 4.5 K = 4.7 D = 2.6	2.5 mm ² = 1.97 2.0 mm ² = 1.83 1.5 mm ² = 1.69	2-878561-2		3.5	5.1	8.1	27.8		
		2-963735-2	C	CuFe2	△												
		2-963735-1	C	CuFe2	△												
		FLR-WIRE / FLR-Leitung	1-963735-2	B	CuSn4	△	0.5 - 1.0	E = 2.8 G = 3.0 D _{gr} = 1.1	H = 3.3 K = 3.5 D = 1.8	1.0 mm ² = 1.56 0.75 mm ² = 1.47 0.5 mm ² = 1.38	2-878654-2		3.0	4.6	6.8	26.5	
			1-963734-2	B	CuSn4	△						539759-2					
			1-963734-1	B	CuSn4	△											
	FLR-WIRE / FLR-Leitung	2-965984-1	A	CuFe2	△	0.2 - 0.5	E = 2.2 G = 2.2 D _{gr} = 0.8	H = 3.1 K = 3.1 D = 1.4	-	-		2.5	3.7	5.7	26.5		
		2-965984-2	A	CuFe2	△												
1-965984-1		B	CuSn4	△													

THIS DRAWING IS A CONTROLLED DOCUMENT.		DATE: 11.07.2001	BY: T. Melechhofer	DATE: 11.07.2001	BY: T. Melechhofer
DIMENSIONS:	UNIT:	SCALE:	APPROVAL:	DATE:	BY:
1:1	mm	1:1	T. Melechhofer	11.07.2001	T. Melechhofer
MATERIAL:		FINISH:	PRODUCT SPEC:	APPLICATOR SPEC:	WEIGHT:
-		-	106-18064	114-18052	-
-		-	Customer Drawing	SCALE:	10:1
-		-	Customer Drawing	SCALE:	10:1