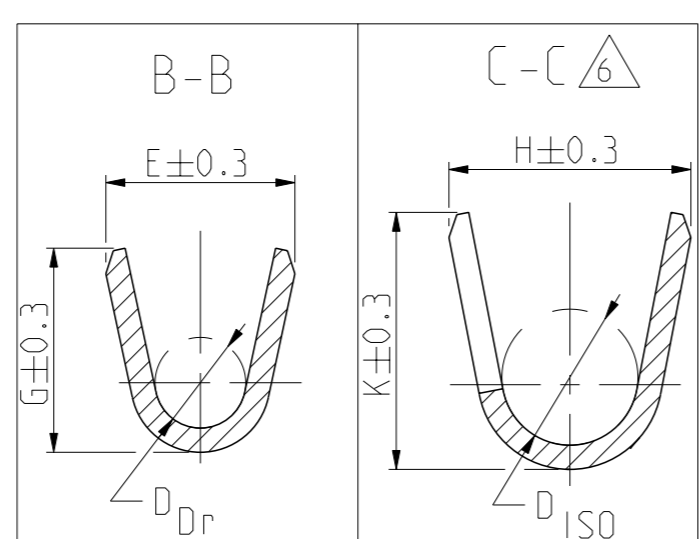
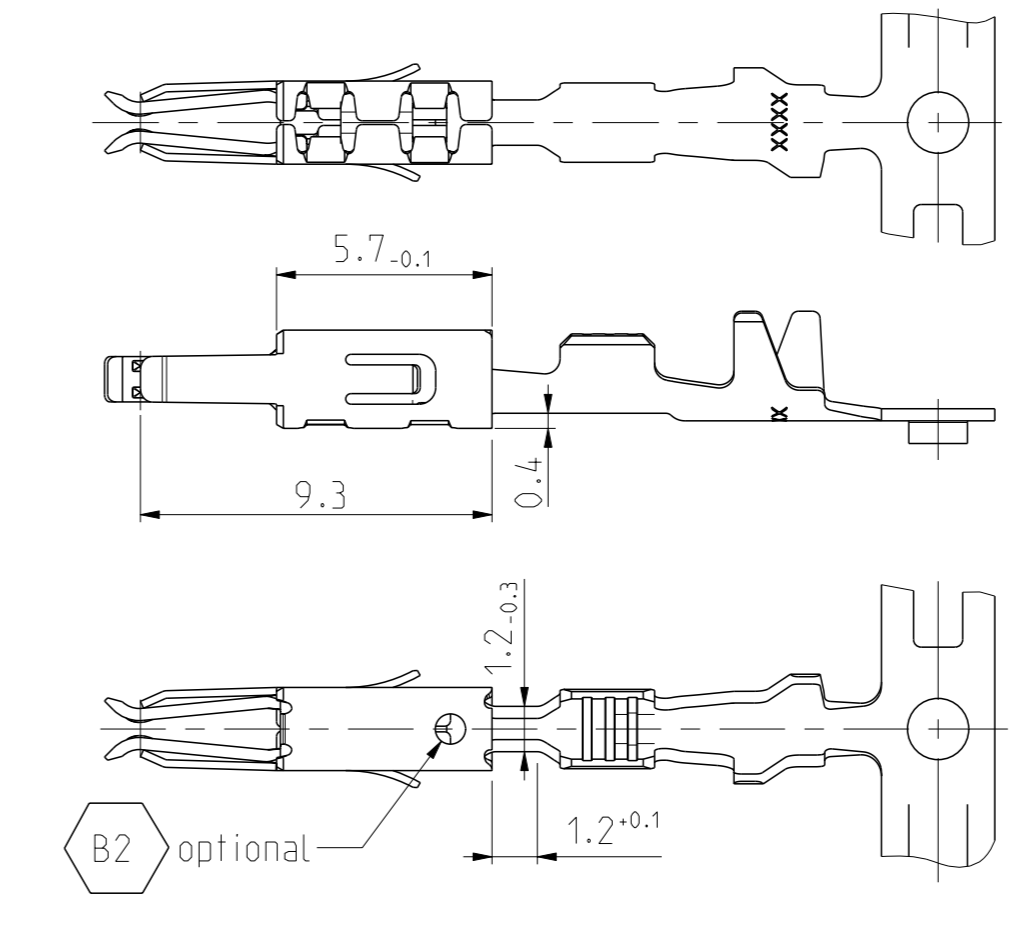
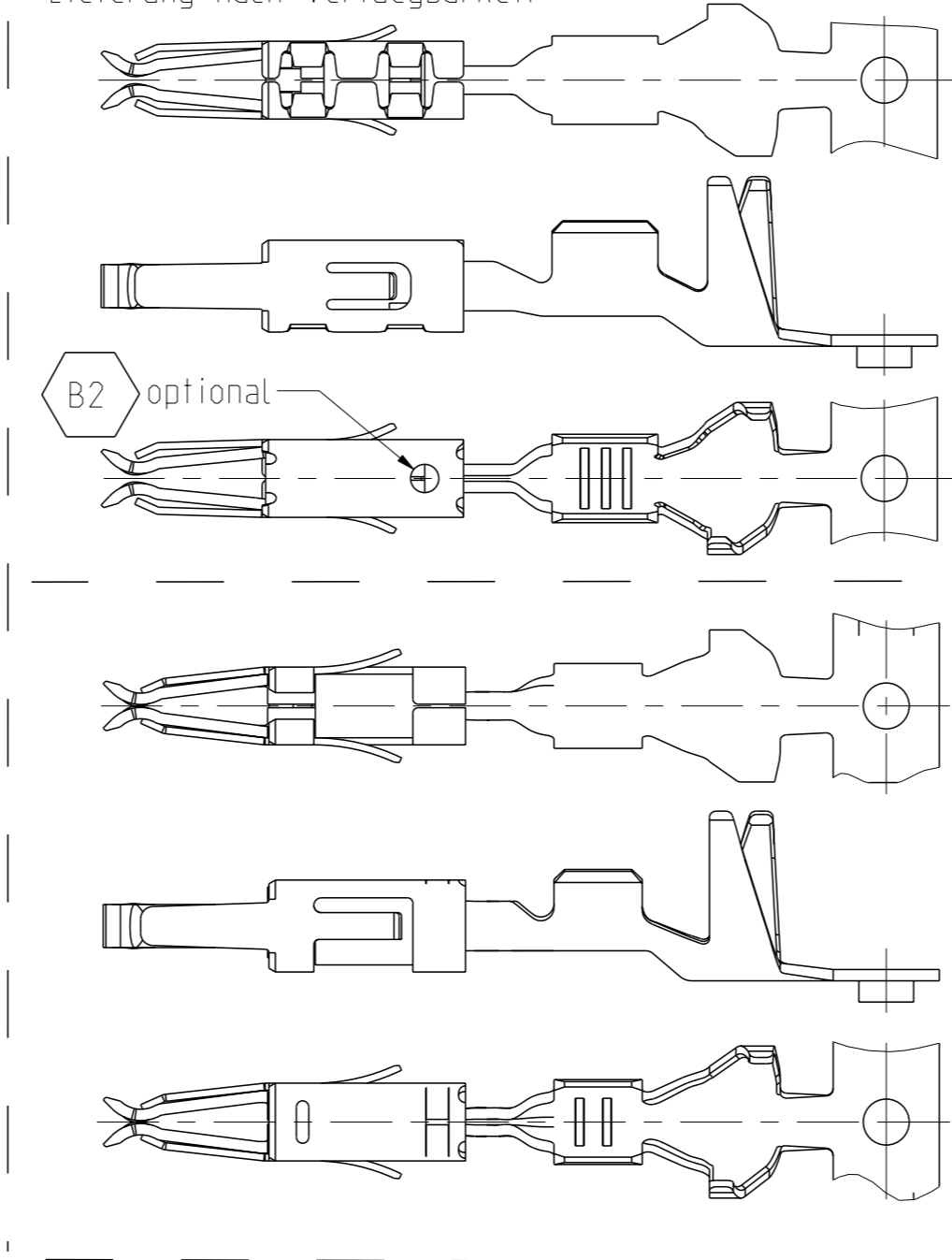
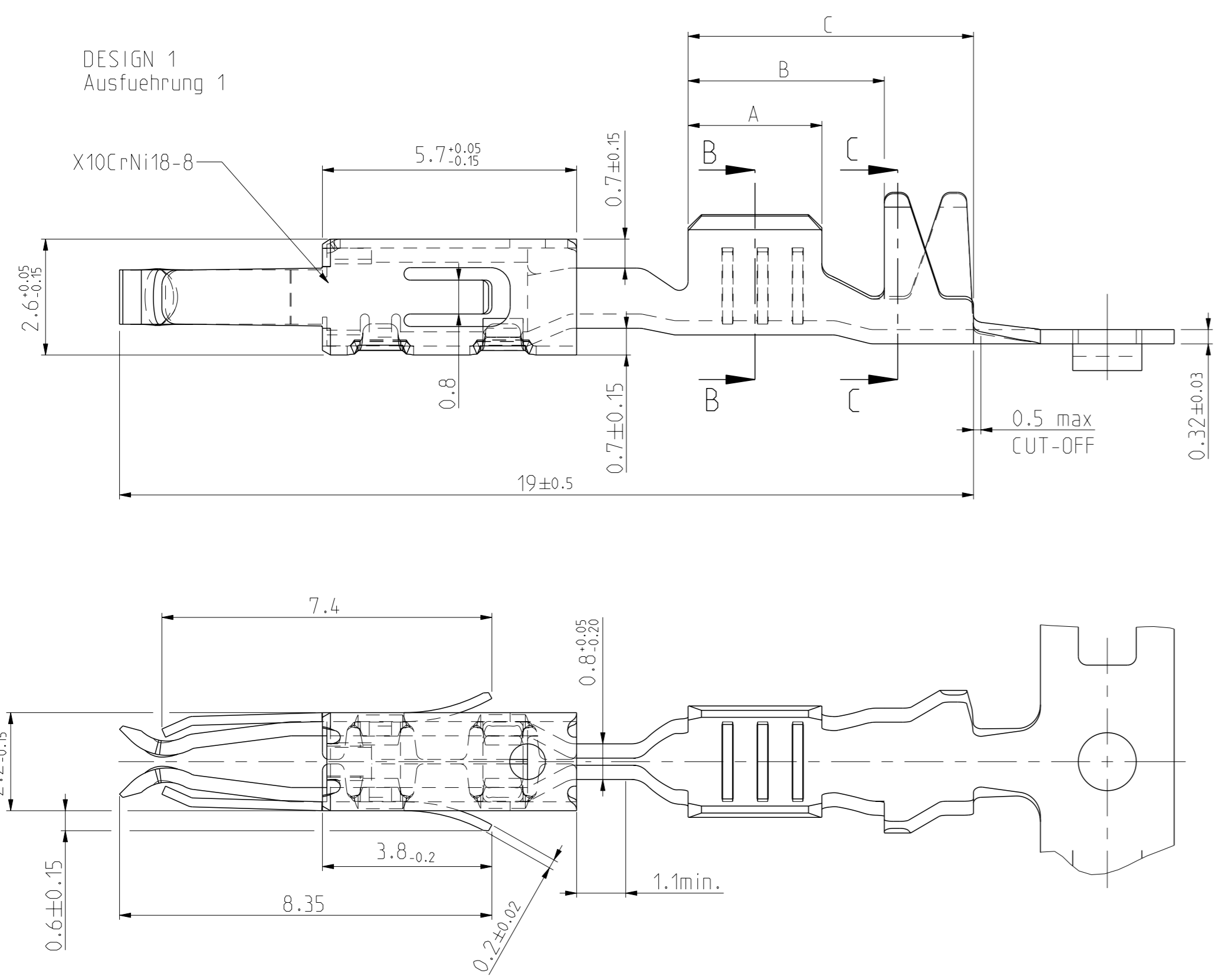
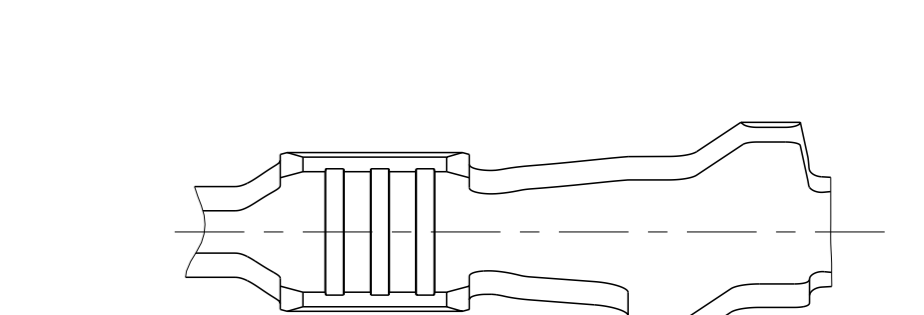
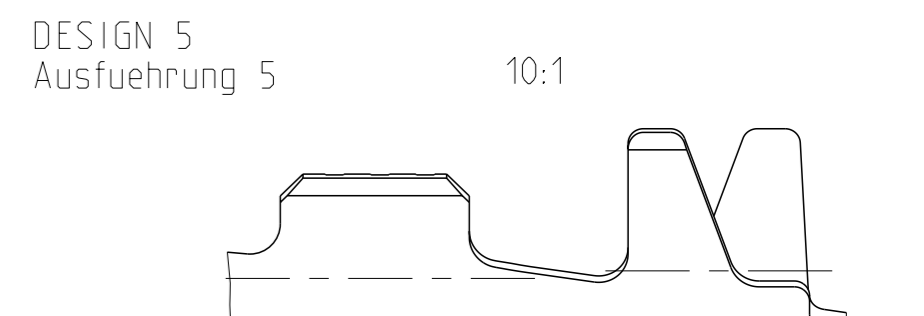
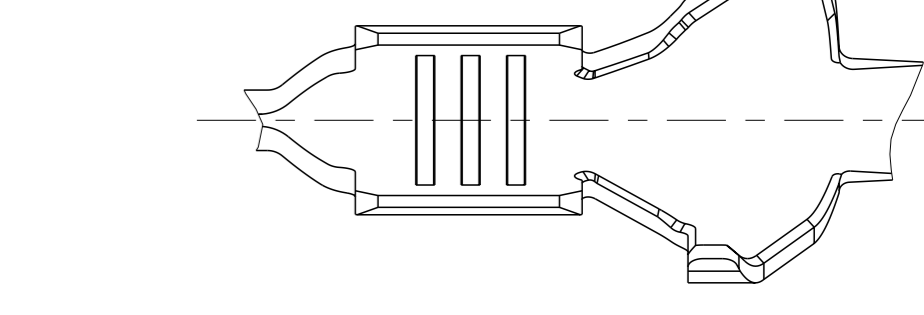
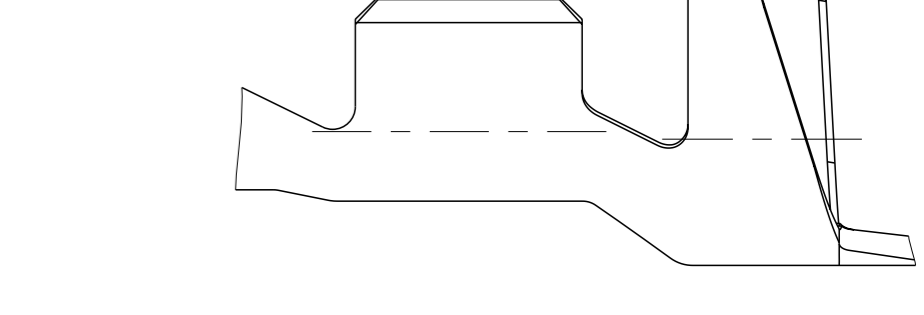
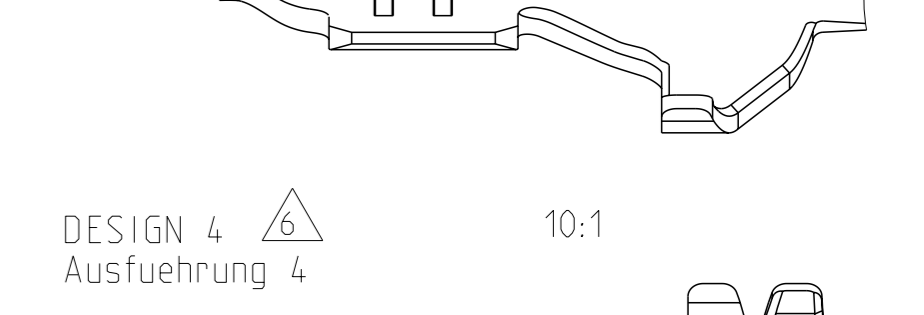
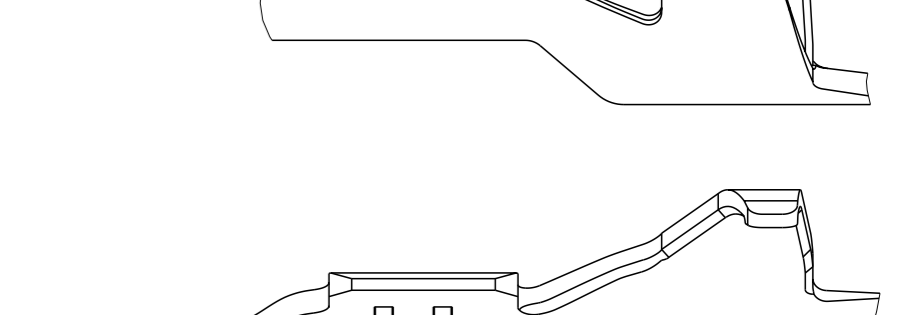
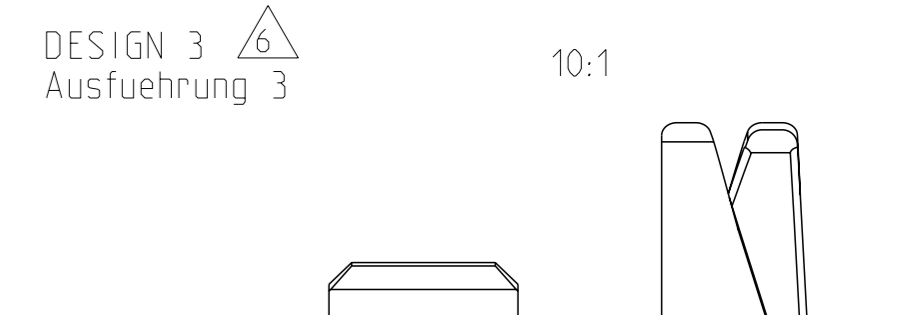
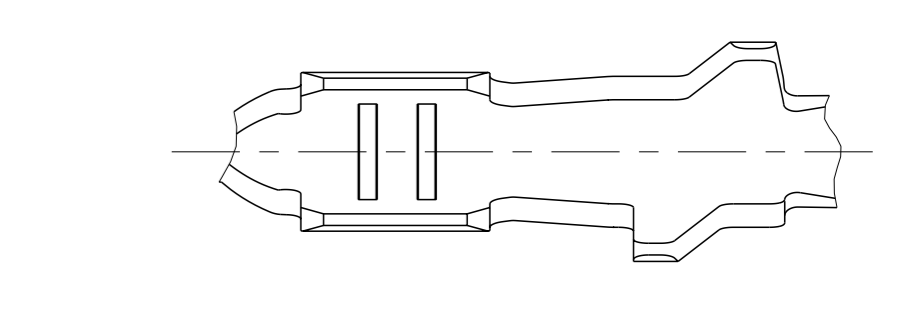
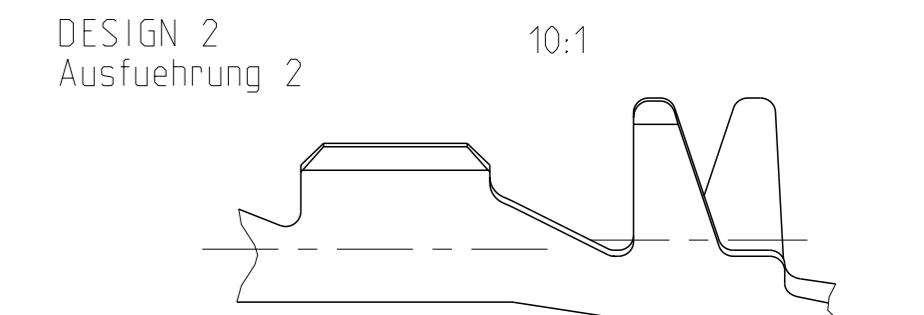


SPRING / Ueberfeder
 DIFFERENT TOOL DETAILS
 Verschiedene Werkzeugausführungen
 FUNCTION AND HANDLING WITH
 ALL DETAILS CONTINUOUSLY
 Funktion und Handhabung
 bei allen Ausführungen gleich
 SUPPLY BASED ON AVAILABILITY
 Lieferung nach Verfügbarkeit

SPRING / Ueberfeder
 USED ONLY FOR/ Nur verwendet fuer
 PN 965914
 PN 969022
 PN 968052



REVISIONS				
#	CTH	DESCRIPTION	DATE	OWN APVD
A8		CORRECTED VIEW. ADDED NECK DIMENSION	03APR2018	JP JC
B		CORRECTED VIEWS ACC. PART CHANGES	09DEC12019	JB J JC
B1		ADDED NEW DESIGN 5 APPLIED TO PN 965914	15APR2021	JCB RS
B2		added "optional"	13JUL2022	FRAN SCHI

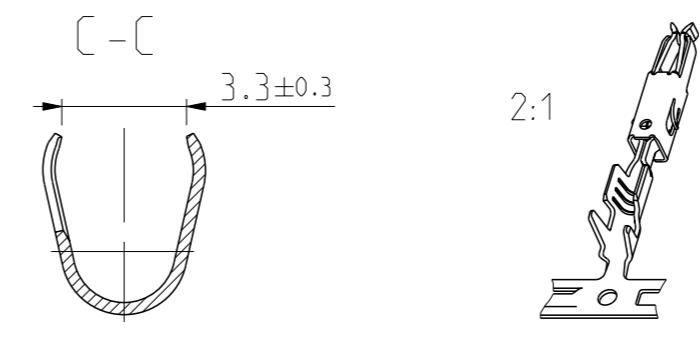
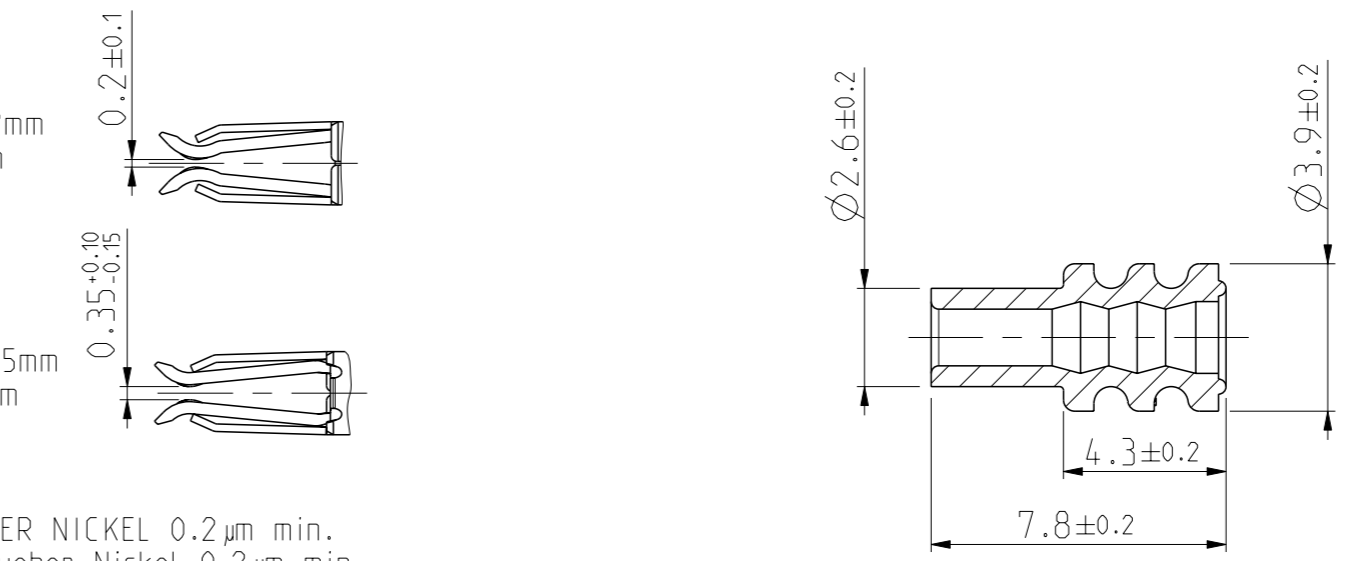


SINGLE WIRE SEAL/ Einzelichtungssystem	REV.	DESIGN Ausführung	MATERIAL Oberflaeche	SURFACE Oberflaeche	WIRE RANGE Drahtgroessen Bereich [mm²]	INSULATION Isolations Ø [mm]	STRIP FROM WIRE CRIMP Drahtcrimp			A	B	C	CRIMP DATA AND CRIMP TOOL Crimpdata u. Crimpwerkzeuge
							INSUL.-CRIMP Iso.-Crimp Bandware	CRIMP DIMENSION mm Crimpabmessungen mm					
4-1241732-1	B		CuNiSi	5	0.5-1.0 FLR	1.4-2.0	E = 2.5 G = 2.7 D _{Dr} = 1.2	H = 4.3 K = 4.8 D _{ISO} = 2.7		3.0	4.4	6.4	
1241732-2	B		CuFe 2	PRETINNE vorverzinnt									
1241730-2	B		CuFe 2	PRETINNE vorverzinnt	0.2-0.5 FLR	1.15-1.6	E = 2.1 G = 2.1 D _{Dr} = 0.8	H = 4.3 K = 4.8 D _{ISO} = 2.6		2.5	4.4	6.4	
1241860-7	A		CuNi12Zn24	PLAIN Blank	0.5-1.0 FLR	1.4-2.1	E = 2.5 G = 2.7 D _{Dr} = 1.2	H = 3.2 K = 3.4 D _{ISO} = 1.8		3.0	4.4	6.4	
1241860-2	A		CuFe 2	PRETINNE vorverzinnt									
1241858-2	A		CuFe 2	PRETINNE vorverzinnt	0.2-0.5 FLR	1.15-1.6	E = 2.1 G = 2.1 D _{Dr} = 0.8	H = 2.9 K = 2.9 D _{ISO} = 1.4		2.5	4.4	6.4	
968052-1	B		CuFe 2	PRETINNE vorverzinnt	0.5-1.0 FLR	1.4-2.1	E = 2.5 G = 2.7 D _{Dr} = 1.2	H = 3.2 K = 3.4 D _{ISO} = 1.8		3.0	4.6	7	
969022-1	B		CuFe 2	1	0.5-1.0 FLR	1.4-2.1	E = 2.5 G = 2.7 D _{Dr} = 1.2	H = 3.2 K = 3.4 D _{ISO} = 1.8		3.0	4.6	7	
965914-2	C		CuFe 2	PRETINNE vorverzinnt	0.2-0.5 FLR	1.15-1.6	E = 2.1 G = 2.1 D _{Dr} = 0.8	H = 2.9 K = 2.9 D _{ISO} = 1.4		2.5	4.6	7	
965914-1	C		CuFe 2	1									
TE ORDER NO. STRIP FORM Bandware	REV.	DESIGN Ausführung	MATERIAL Oberflaeche	SURFACE Oberflaeche	WIRE RANGE Drahtgroessen Bereich [mm²]	INSULATION Isolations Ø [mm]	STRIP FROM WIRE CRIMP Drahtcrimp			A	B	C	CRIMP DATA AND CRIMP TOOL Crimpdata u. Crimpwerkzeuge

SEE APPLICATION - SPECIFICATION
 siehe Verarbeitungsspezifikation
 114-18081

- 1 BODY ELECTRO TIN PLATED OVER NICKEL 0.2 µm min.
Kontaktkoerper gal. verzinnt ueber Nickel 0.2 µm min.
CONTACT AREA SELECTIV GOLD OVER NICKEL 0.8 µm min.
Kontaktzone selectiv vergoldet ueber Nickel 0.8 µm min.
WIRE CRIMP AREA ELECTRO TIN PLATED 1µm min.
Drahtcrimpbereich galv. verzinnt 1 µm min.
- 2 ACCORDING INSULATION DIA IS TO CHOOSE THE SINGLE WIRE SEAL
Entsprechend dem Isolationsdurchmesser ist die
Einzel-Dichtung auszuwaehlen
- 3 VARIANTS WITH GAP-SIZE 0.2mm
Varianten mit Gap-Size 0.2mm
- 4 VARIANTS WITH GAP-SIZE 0.35mm
Varianten mit Gap-Size 0.35mm
- 5 BODY ELECTRO TIN PLATED OVER NICKEL 0.2µm min.
Kontaktkoerper gal. verzinnt ueber Nickel 0.2µm min.
CONTACT AREA SELECTIV GOLD OVER NICKEL 0.8 µm min.
Kontaktzone selectiv vergoldet ueber Nickel 0.8 µm min.
WIRE CRIMP AREA ELECTRO TIN PLATED 1µm min.
Drahtcrimpbereich gal. verzinnt
- 6 ADDITIONAL INFORMATION FOR
SINGLE WIRE SEAL VERISONS
Zusaetzliche Information fuer
einzelgedichtete Varianten

SINGLE WIRE SEAL Einzel-Dichtung		
964972-1	1.9-2.1	YELLOW gelb
963530-1	1.4-1.9	GREY grau
964971-1	1.2-1.6	RED rot
ORDER No. Bestell-Nr.	INSULATION Ø Isolations Ø	COLOUR Farbe



THIS DRAWING IS A CONTROLLED DOCUMENT.

DIMENSIONS: mm	TOLERANCES UNLESS OTHERWISE SPECIFIED:	OWN G. Abraham 12NOV2001	12NOV2001
	1 PLC ±0.2	CHK T. Meierhoefer 12NOV2001	
	2 PLC ±0.2	APVD M. Reicher 16NOV2001	
	3 PLC ±0.2	NAME PRODUCT GROUP DRAWING FOR MICRO TIMER 3 CONTACT	
	4 PLC ±0.2	PRODUCT SPEC 108-18386	
	ANGLES °	APPLICATION SPEC 114-18081	
MATERIAL		SIZE CAGE CODE DRAWING NO	RESTRICTED TO
		WEIGHT	A1 00779 ©=1241916
		Customer Drawing	SCALE 6:1 SHEET 1 of 1 REV B2

STE TE Connectivity