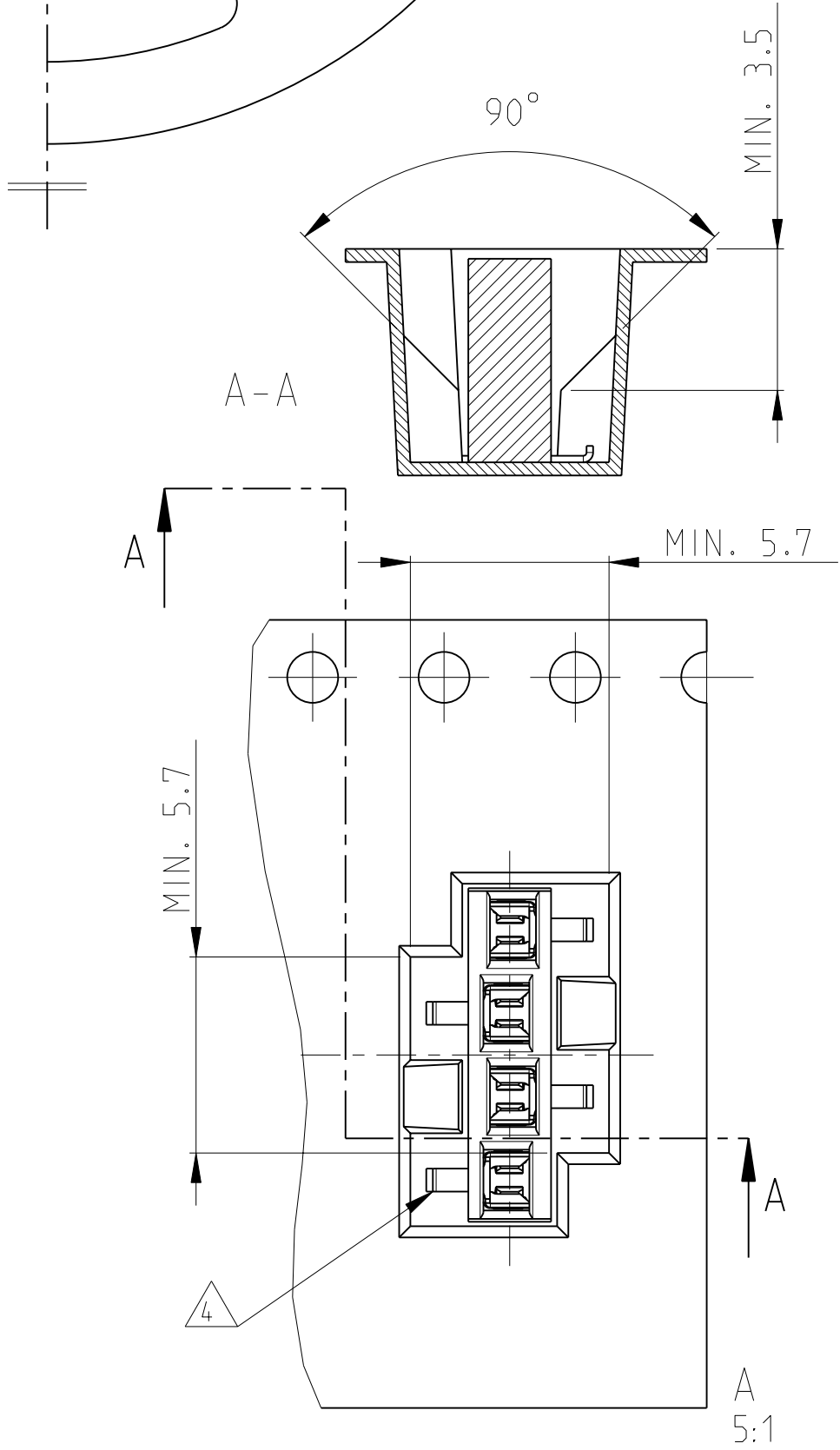
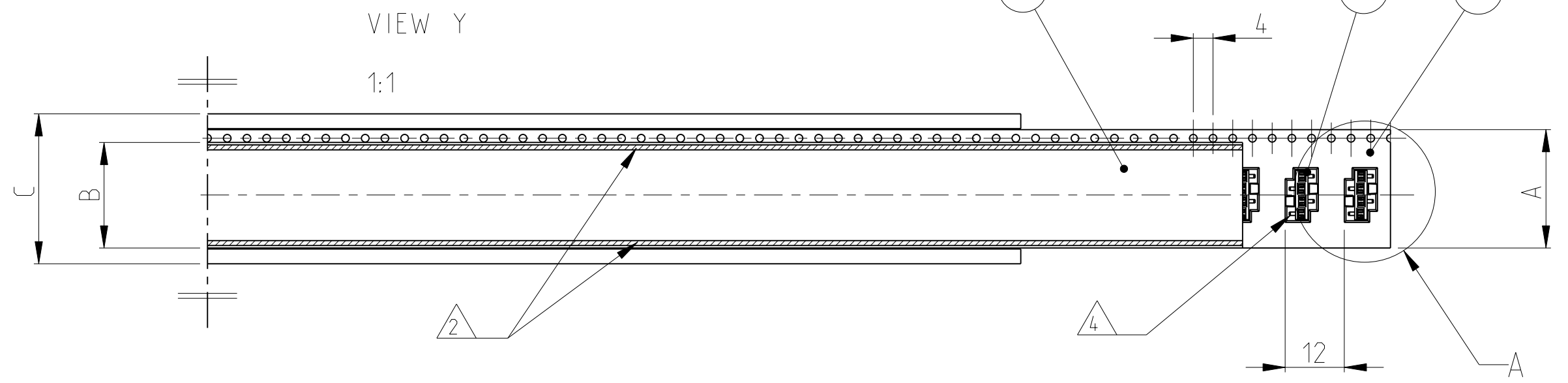
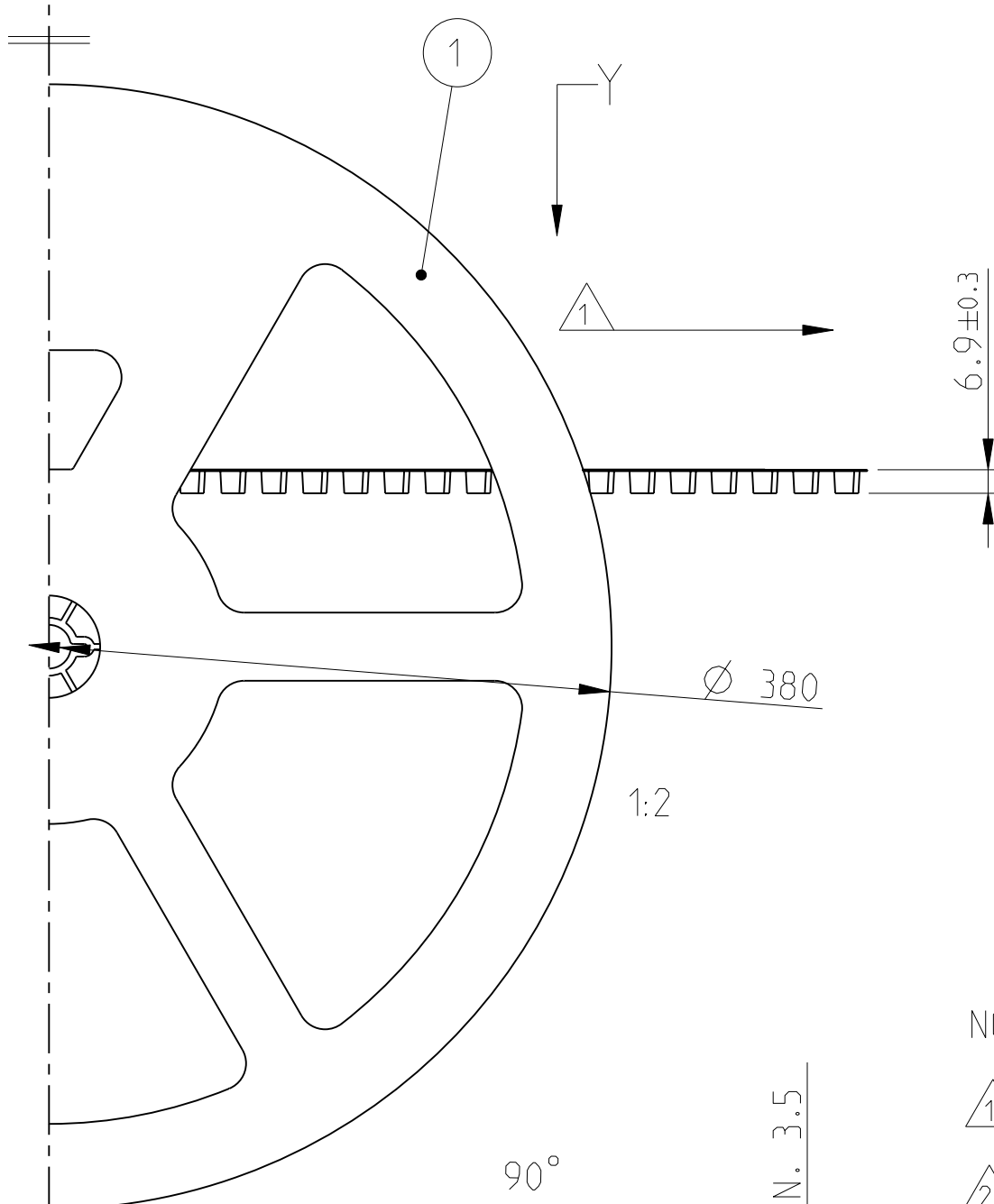


THIS DRAWING IS UNPUBLISHED
 RELEASED FOR PUBLICATION 2002
 COPYRIGHT 2002 BY TYCO ELECTRONICS CORPORATION. ALL RIGHTS RESERVED.

LOC	DIST	REVISIONS			
P	LTR	DESCRIPTION	DATE	DWN	APVD
A1	-				
	A	NEW DRAWING CREATED	23MAY2002	MAH.	ZITZ
	B1	BLISTER BELT AND REEL DIA. CHANGED	11DEC2006	ACK	MS
	B2	BLISTER POCKET UPDATE	19DEC2006	ACK	MS



NOTES:

- ① DIRECTION OFF, TOP OFF THE REEL
- ② COVER TAPE WITH BLISTER BELT WELDED
- ③ PACKING: 1100 CONNECTORS PER REEL
13.8m BLISTER PER REEL
13.8m COVER TAPE PER REEL
- ④ SOLDERLEGS 1. POS. OF EACH CONNECTOR AS SHOWN IN DRAWING 1355343
- 5 PACKING ACCORDING TO DIN/IEC 286 RESPECTIVELY EIA 481 INCLUDING DECLARATIONS OF THE FIRST AND LAST RUNNING (DIN/IEC 286 PART 3)
- ⑥ SEE DRAWING 1355343

BEMERKUNGEN:

- ① ABWICKELRICHTUNG
- ② ABDECKBAND MIT BLISTERGURT VERSCHWEIßT
- ③ VERPACKUNG: 1100 BUCHSENSTECKER PRO SPULE
13.8m BLISTERGURT PRO SPULE
13.8m ABDECKBAND PRO SPULE
- ④ LÖTBEINCHEN 1. POS. BEI JEDEM STECKER WIE GEZEICHNET AUF ZEICHNUNG 1355343
- 5 VERPACKUNG ENTSPRECHEND DIN/IEC 286 BZW. EIA 481 INKLUSIVE DER ANGABEN ÜBER DEN VOR- UND NACHLAUF (DIN/IEC 286 TEIL 3)
- ⑥ SIEHE ZEICHNUNG 1355343

ITEM NO	DESCRIPTION	SURFACE COLOUR	MATERIAL	ITEM NO
1	HV100 CONNECTOR, SMD, 4 POS.			4
③	COVER TAPE B=21.4mm	TRANSPARENT	PET	3
③	BLISTER BELT A=24mm	GREY	PS	2
③	REEL Ø380mm, C= 30.4mm	GREY	PS	1
-4	DESCRIPTION	SURFACE COLOUR	MATERIAL	ITEM NO

ORDER NO

<small>THIS DRAWING IS A CONTROLLED DOCUMENT FOR TYCO ELECTRONICS CORPORATION IT IS SUBJECT TO CHANGE AND THE CONTROLLING ENGINEERING ORGANIZATION SHOULD BE CONTACTED FOR THE LATEST REVISION.</small>		DWN MAHNKE, B. 23MAY2002 CHK ZITZ, A. 23MAY2002 APVD BLEICHER, M. 23MAY2002	Tyco Electronics AMP GmbH D - 67346 Speyer
DIMENSIONS: mm 	TOLERANCES UNLESS OTHERWISE SPECIFIED: 0 PLC ±0.2 1 PLC ±0.1 2 PLC ±0.1 3 PLC ± 4 PLC ± ANGLES ±2° FINISH	PRODUCT SPEC APPLICATION SPEC WEIGHT CUSTOMER DRAWING	NAME HV100 RECEPTACLE CONNECTOR SINGLE ROW, SMD, PACKED IN BLISTER TIN VERSION SIZE A2 CAGE CODE 00779 DRAWING NO 1241945 RESTRICTED TO SCALE 5:1 SHEET 1 OF 1 REV B2