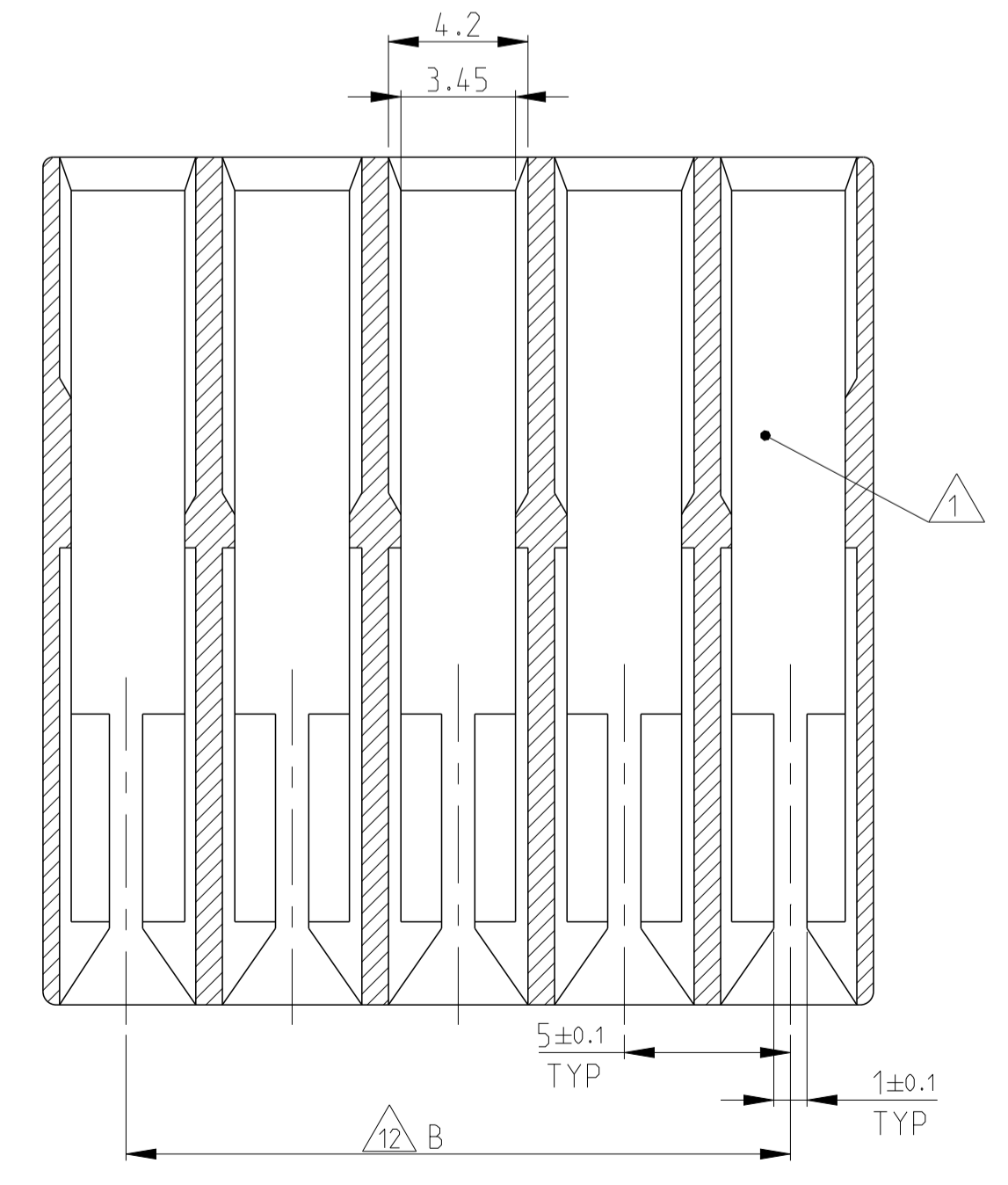
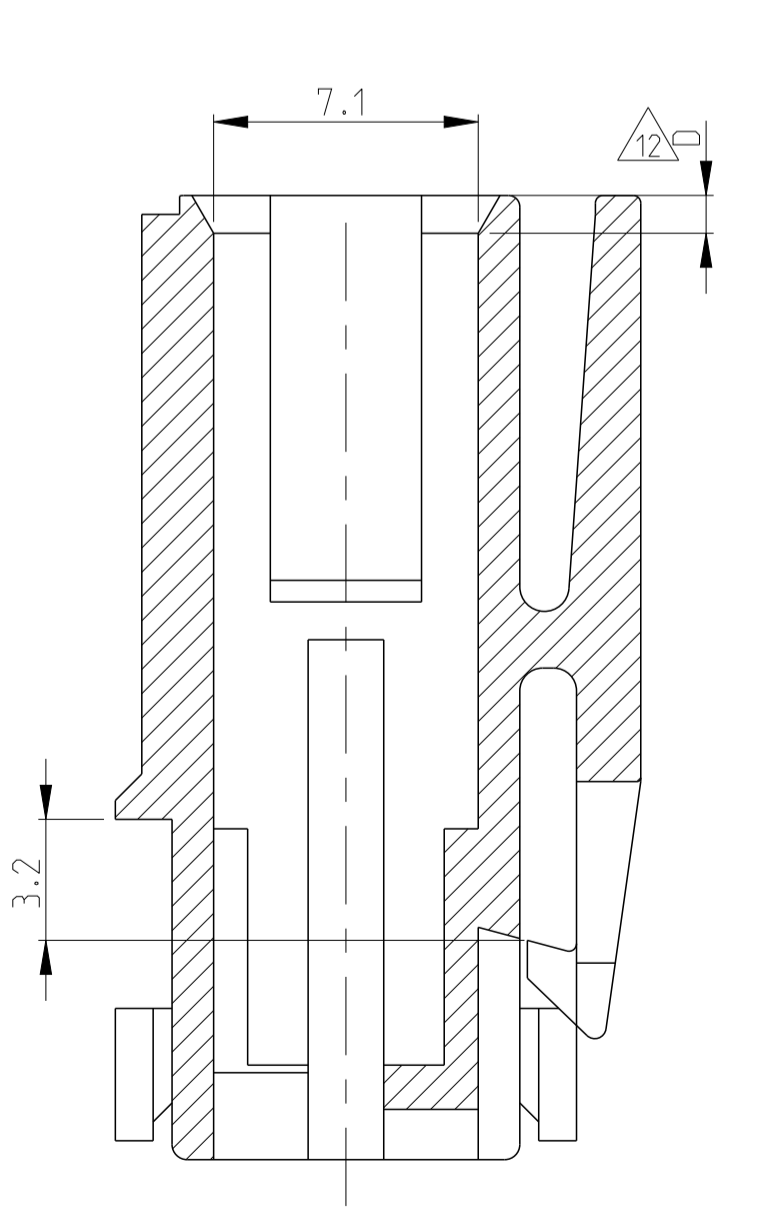
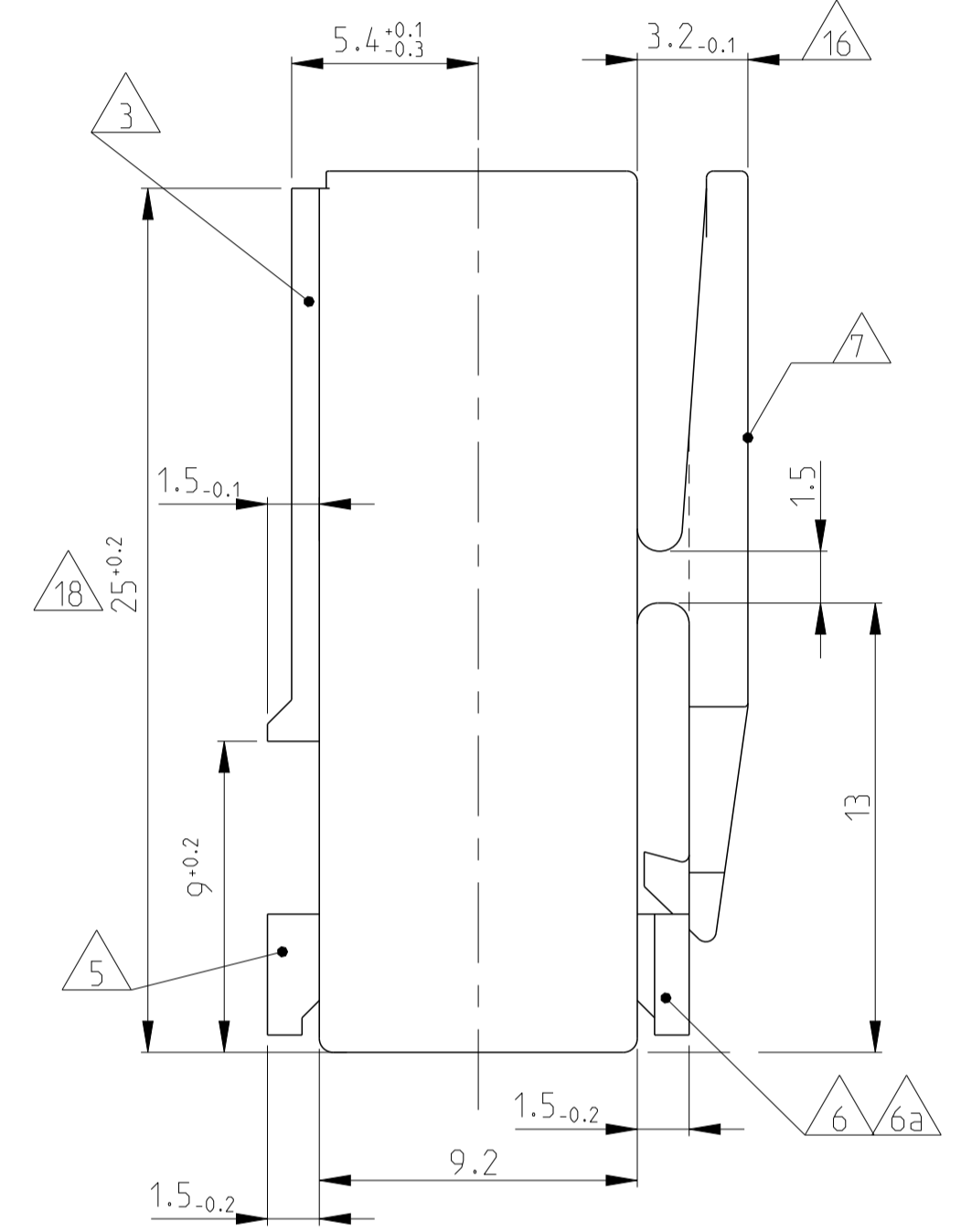
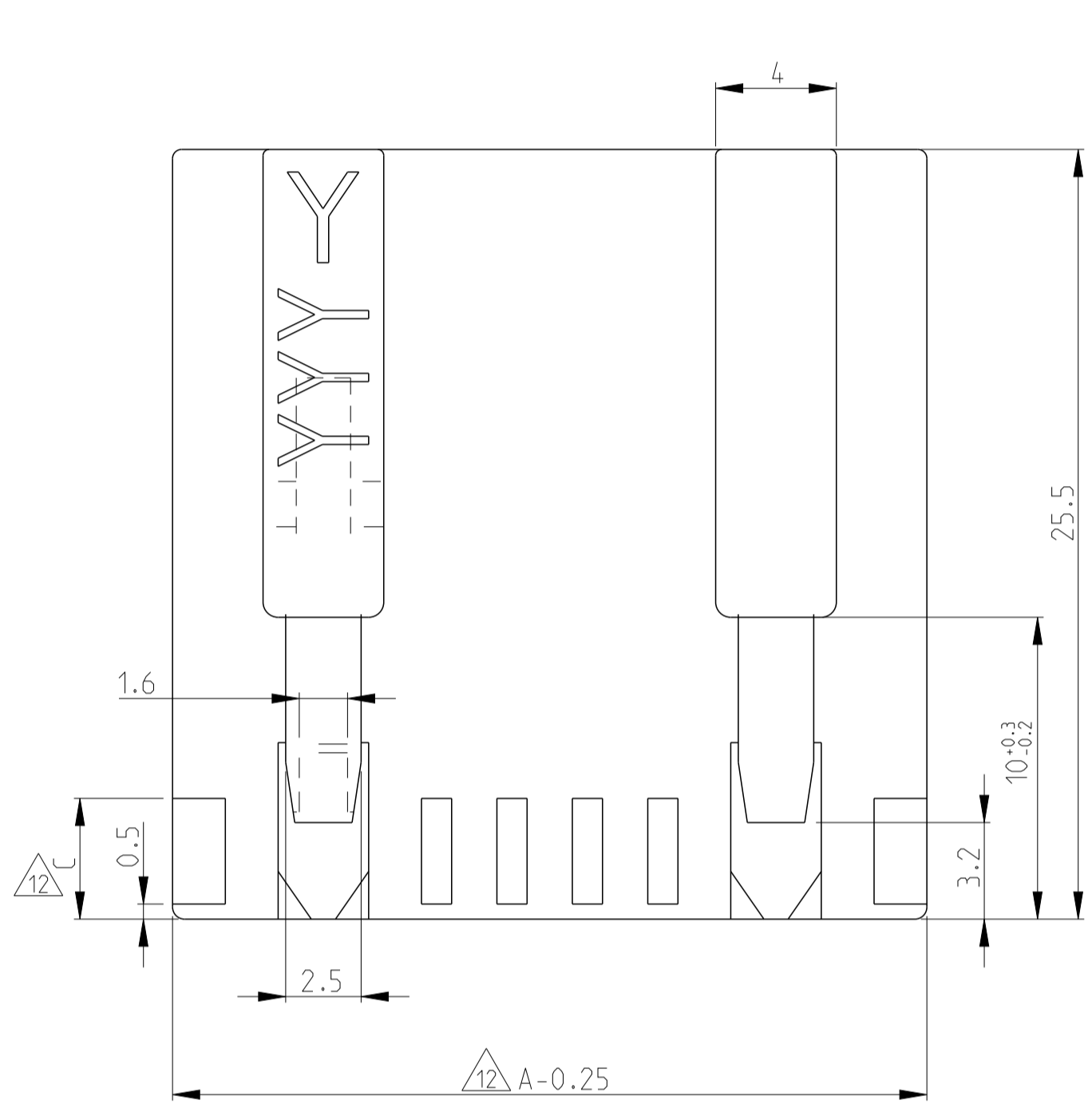
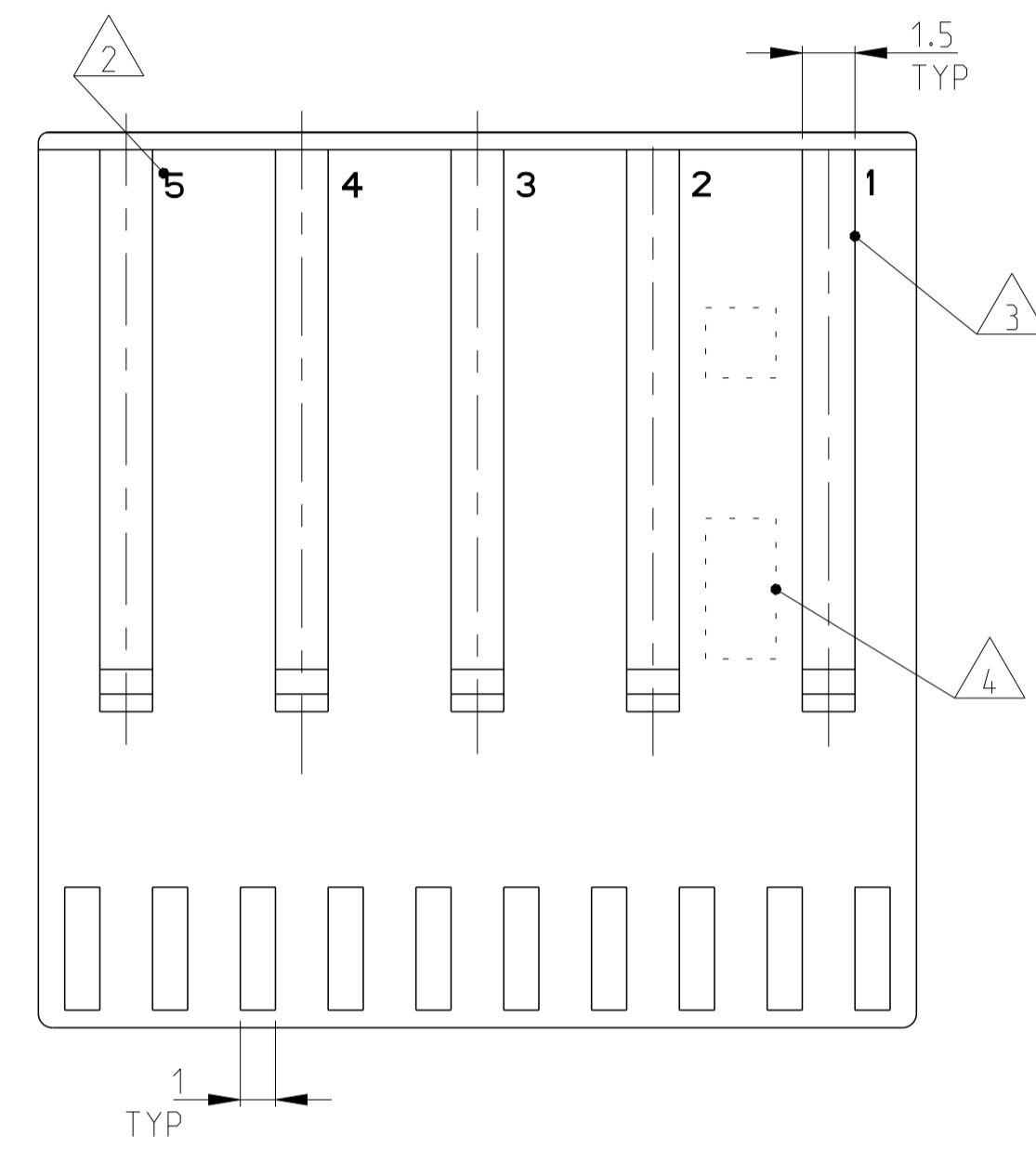
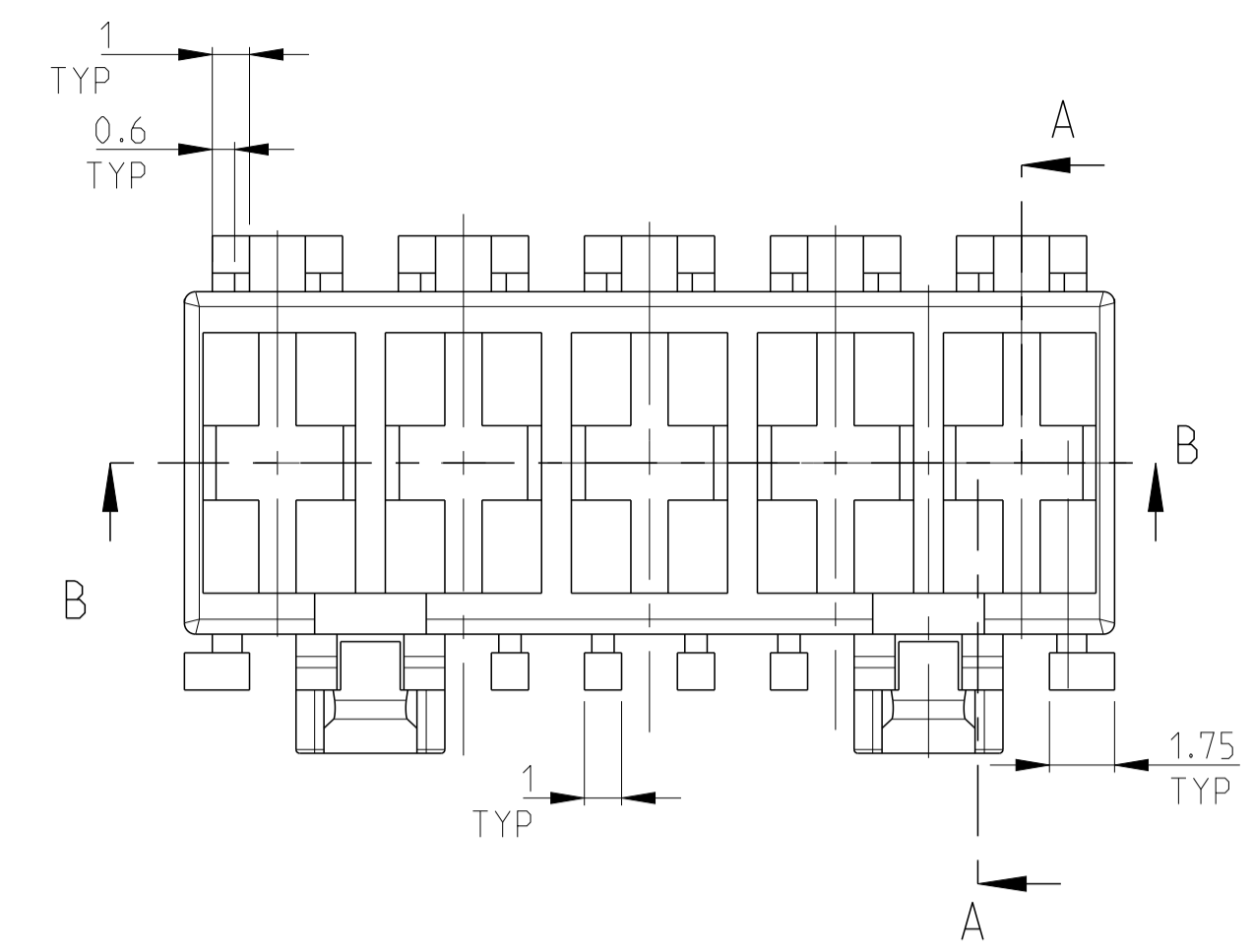
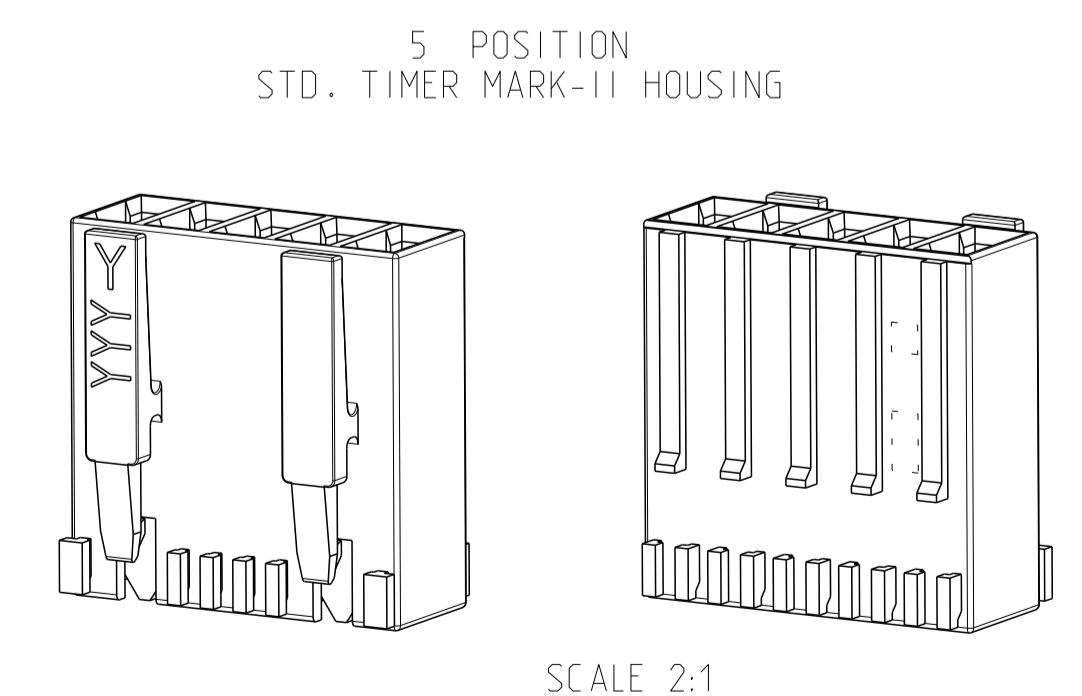


LOC		DIST		REVISIONS			
P	LTN	DATE	OWN	APVD	DESCRIPTION		
E13		23DEC2024	DK	FL	REVISED PER ECR-24-230188		
E14		09JAN2025	DC	FL	ECR-25-231610		
E15		04MAR2025	DK	FL	ECR-25-236150		
E16		02APR2025	DK	FL	ECR-25-238808		



**REMARKS/Bemerkungen**

- 1 CAVITY SUITABLE FOR STANDARD TIMER CONTACTS LISTED IN PROD.SPEC. 108-18049, ITEM 3.3.2  
Kammer geeignet für Standard Timer Kontakte gelistet in Prod. Spec. 108-18049, Punkt 3.3.2
- 2 CONTACT CAVITY NO.  
Kontaktkammernummerierung
- 3 MATING STOP  
Tiefenanschlag
- 4 AREA FOR TE LOGO ACC: TO SPEC 202-36  
Bereich für TE Logo nach Spec. 202-36
- 5 POLARIZATION RIB POSITION "a" AND/OR "b"  
Polarisierungsrippe Position "a" und/oder "b"
- 6 KEYING RIB POSITION "c" AND/OR "d"  
Kodierrippe Position "c" und/oder "d"
- 6a KEYING RIB POSITION "c" AND/OR "d" AT THE END WALLS OF THE HOUSING  
Kodierrippe Position "c" und/oder "d" an den Gehäuseeinseiten
- 7 LOCKING LATCH  
Rasthaken
- 8 TE PART NO (PN)  
TE Bestell Nr. (PN)
- 9 DESIGN OF THE HOUSINGS ACC: TO RAST 5 STANDARD  
Gehäuseausführung gemäß RAST 5 Vorgabe
- 10 GENERAL SUITABLE TAB HEADER SEE RAST 5 PERFORMANCE  
Generell passende Flachsteckerwanne siehe RAST 5 Vorgabe
- 11 PACKAGING: BULK PACKAGING IN CORRUGATED BOX PN 740580-2  
2 POS. 2500 PIECES PER BOX / 3 POS. 2000 PIECES PER BOX  
Verpackung: Schüttgut in Versandkarton Pn 740580-2  
2pol. 2500 Stück per Karton / 3pol. 2000 Stück per Karton
- 12 DIMENSION A, B C AND D SEE SHEET 2 OF 3
- 13 MATERIAL CORRESPONDS TO THE REQUIREMENT EN 60335 (INCL. GLOW WIRE TEST 750° WITHOUT FLAME)  
Material entspricht den Anforderungen der EN 60335 (inkl. Glühdrahtfest 750° ohne Flamme)
- 14 OPTIONAL RATIO NUMBER OF THE KEYING VERSION, MOLDED OR INKJET PRINTED. SEE SHEET 2  
Optionale Kodierungskennnummer, mit Tintenstrahldrucker aufgebracht oder spritzgegossen, siehe Blatt 2
- 15 PRELIMINARY- NOT RELEASED FOR PRODUCTION
- 16 ONLY FOR 9-1241961-7, DIMENSION 3.2 ±0.2
- 17 DOUBLE SOURCE RESIN: ALTERNATIVE RESIN UNDER APPROVAL
- 18 ALLOWED 25±0.2 FOR P/Ns X-2364739-X.
- 19 ONLY FOR 8-1241961-7, SPECIAL VERSION WITH RIBS ON SURFACE AND ENHANCED LATCH

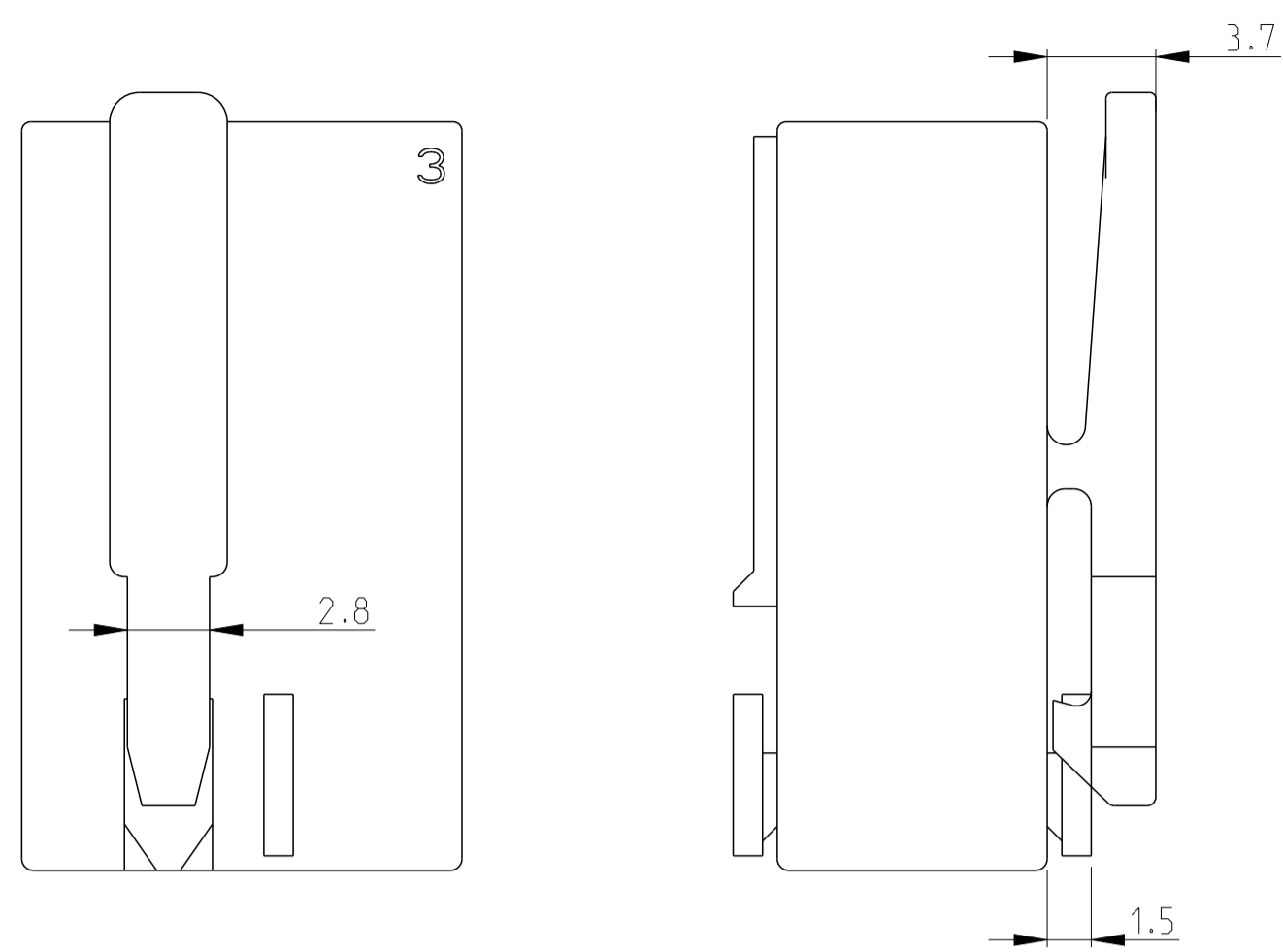


SECTION A-A / Schnitt A-A

SECTION B-B / Schnitt B-B

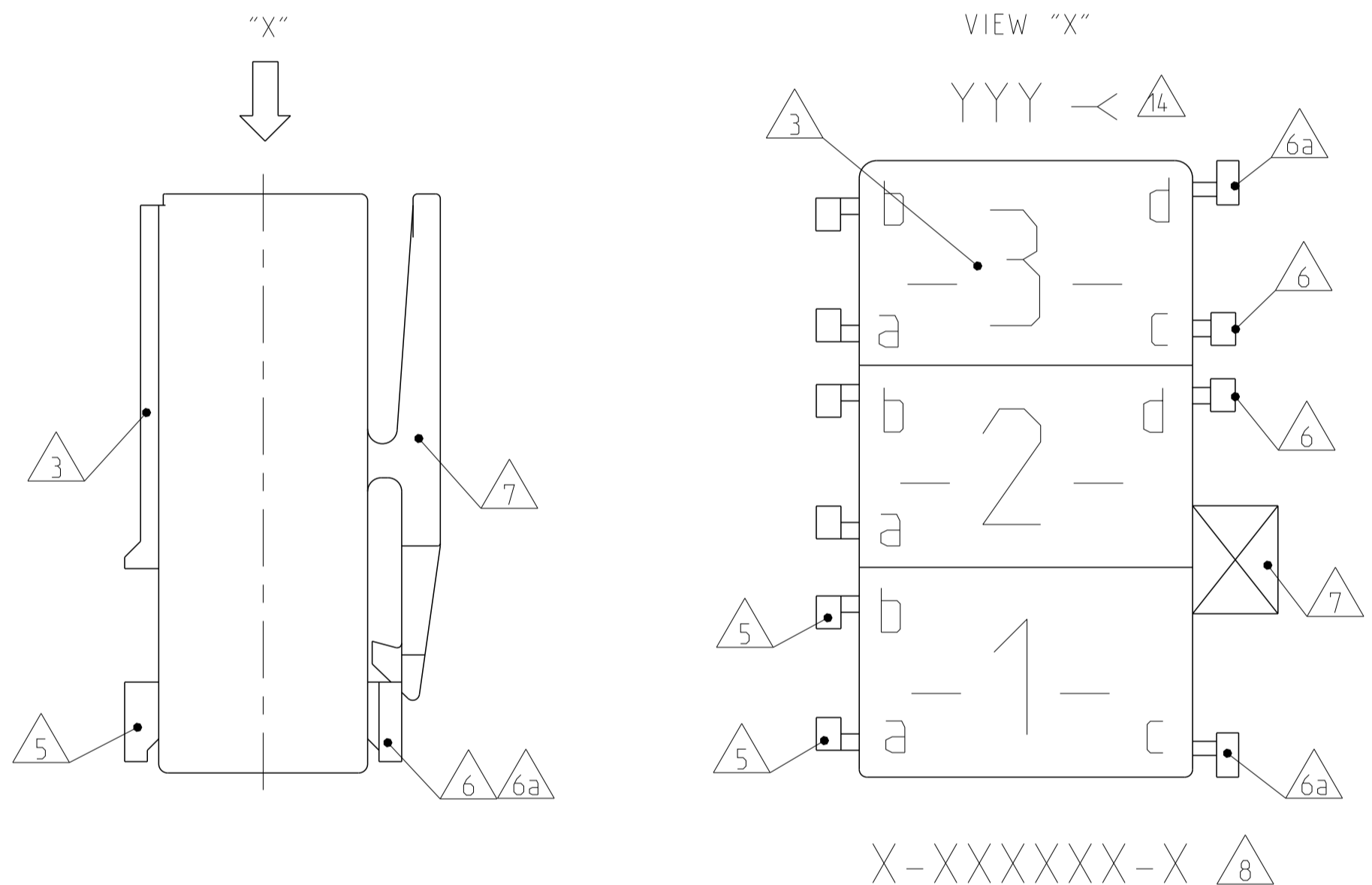
THIS DRAWING IS A CONTROLLED DOCUMENT.		OWN: Kishor M. 18-10-07	TE Connectivity	
DIMENSIONS: mm		CHK: K.Mundz 18-10-07	APVD: Tr. Klenner 18-10-07	
TOLERANCES UNLESS OTHERWISE SPECIFIED:		NAME: STANDARD TIMER HSG. RAST 5 MARK II Standard Timer Gehäuse RAST 5 Mark II		
0 PLC ±0.2	1 PLC ±0.2	PRODUCT SPEC: 108-18049-1		
2 PLC ±0.2	3 PLC ±0.2	APPLICATION SPEC:		
4 PLC ±0.2	ANGLES ±°	SIZE: A1		
MATERIAL: SEE TABLES, SHEETS PAGE 2 AND 3 OF 4		WEIGHT: -	CAGE CODE: 00779	DRAWING NO: 1241961
		Customer Drawing		RESTRICTED TO: -
		SCALE: 5:1		SHEET: 1 OF 4
				REV: E16

ONLY 5-1241961-7, 1-1241961-9, 7-1241961-7, 2345753-1, 2-2178571-3



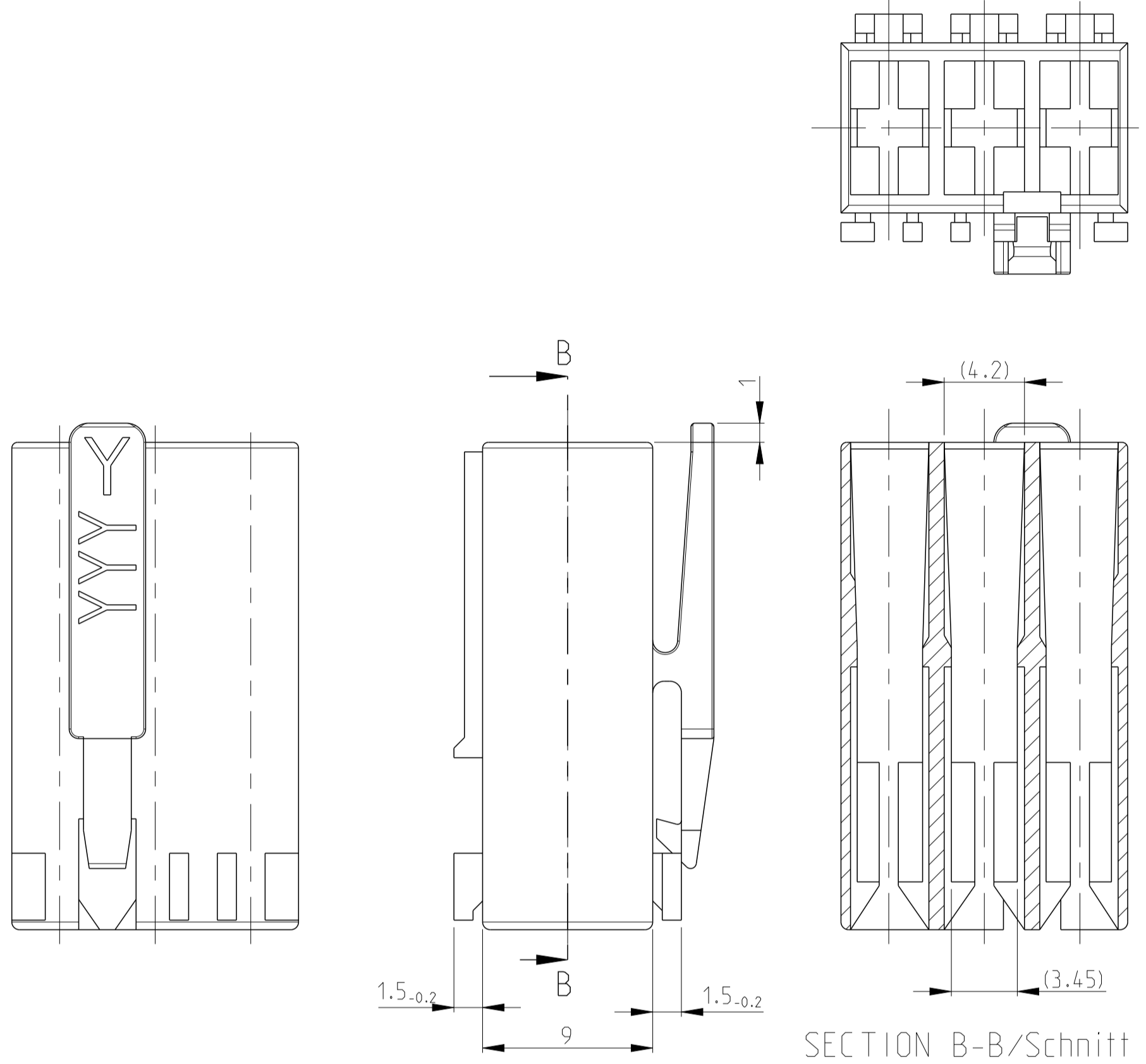
ALL OTHER DIMENSIONS SEE SHEET 1 OF 3

KEY LAYOUT DESCRIPTION



DIFFERENT CAVITY GEOMETRY AND LOCKING LATCH OVERHANG (OPTIONAL)

FOR 2 POS. AND 3 POS.



ALL OTHER DIMENSIONS SEE SHEET 1 OF 3  
Alle anderen Masse siehe Seite 1 von 3

LOC	DIST	REV	DESCRIPTION	DATE	OWN	APPV
SEE SHEET-01						

REV	DESCRIPTION	DATE	OWN	APPV	MATERIAL	COLOUR
0-1241959-5	5	25	20		PA 6	Natural/natur
4-1241959-4	4	20	15		UL94V-2	
2-1241959-4	4	20	15			
0-1241959-4	4	20	15			
2-1241817-5	5	25	20		PA 6.6	Natural/natur
0-1241817-5	4	25	20		UL94V-2	Black/schwarz
3-1241817-4	4	20	15			Violet/violett
2-1241817-4	4	20	15			Grey/grau
0-1241817-4	4	20	15			Natural/natur
2-1241983-2	2	10	5		PA 6	Green/grün
1-1241983-2	2	10	5		UL94V-2	Violet/violett
0-1241983-2	2	10	5			TARGET RAL 4001
8-1241983-2	2	10	5			Yellow/gelb
5-1241983-3	2	10	5			Black/schwarz
6-1241983-2	2	10	5			Blue/blau
						Red/rot
4-1241961-7	3	15	10		PA 6	Natural/natur
9-1241961-8	3	15	10		UL94V-2	
6-1241961-8	3	15	10			
5-1241961-8	3	15	10			
4-1241961-8	3	15	10			
7-1241961-8	3	15	10			
1-1241961-8	3	15	10			
3-1241961-8	3	15	10			
2-1241961-8	3	15	10			
2-1241961-7	3	15	10			
1-1241961-7	3	15	10			
9-1241961-9	3	15	10			
0-1241961-6	3	15	10			
3-1241961-3	3	10	5			
2-1241961-2	3	10	5			
5-1241961-2	3	10	5			
4-1241961-3	3	10	5			
7-1241961-2	3	10	5			
7-1241961-3	3	10	5			
6-1241961-3	3	10	5			
3-1241961-2	3	10	5			
5-1241961-3	3	10	5			
6-1241961-2	3	10	5			
0-1241961-3	3	10	5			
8-1241961-2	3	10	5			
9-1241961-2	3	10	5			
0-1241961-1	3	10	5			
9-969484-9	3	15	10		PA 6.6	Yellow/gelb
2-969484-8	3	15	10		UL94V-2	
0-969484-8	3	15	10			
8-969484-7	3	15	10			
7-969484-7	3	15	10			
6-969484-7	3	15	10			
5-969484-7	3	15	10			
4-969484-7	3	15	10			
3-969484-7	3	15	10			
2-969484-7	3	15	10			
1-969484-7	3	15	10			
0-969484-7	3	15	10			
9-969484-6	3	15	10			
8-969484-6	3	15	10			
7-969484-6	3	15	10			
6-969484-6	3	15	10			
5-969484-6	3	15	10			
4-969484-6	3	15	10			
3-969484-6	3	15	10			
2-969484-6	3	15	10			
1-969484-6	3	15	10			
0-969484-6	3	15	10			
9-969484-3	3	10	5			
6-969484-3	3	10	5			
5-969484-3	3	10	5			
4-969484-3	3	10	5			
3-969484-3	3	10	5			
2-969484-3	3	10	5			
1-969484-3	3	10	5			
0-969484-3	3	10	5			
9-969484-2	3	10	5			
8-969484-2	3	10	5			
7-969484-2	3	10	5			
6-969484-2	3	10	5			
5-969484-2	3	10	5			
4-969484-2	3	10	5			
3-969484-2	3	10	5			
2-969484-2	3	10	5			
1-969484-2	3	10	5			
0-969484-2	3	10	5			
9-969484-1	3	10	5			
8-969484-1	3	10	5			
7-969484-1	3	10	5			
6-969484-1	3	10	5			
5-969484-1	3	10	5			
4-969484-1	3	10	5			
3-969484-1	3	10	5			
2-969484-1	3	10	5			
1-969484-1	3	10	5			
0-969484-1	3	10	5			

SPECIAL MATERIAL: UL94 V0							
2345753-1	3	6	1	15	10	PA66	NATURAL

1955507-4	4	6	1	20	15	PA66	NATURAL
9-1955506-2	2	6	1	10	5	UL 94 V0	NATURAL

6-1241961-7	3			15	10	PA 6 UL94V-2	NATURAL
4-1241961-7	3			15	10	PA 6 UL94V-2	NATURAL
3-1241961-7	3	4	0.5	15	10	PA 6 UL94V-2	NATURAL
1-1955422-7	3			15	10	PA 66 UNFILLED UL94 V0	NATURAL
5-1955422-7	3			15	10	PA 66 UNFILLED UL94 V0	NATURAL
4-1955422-3	2	6	1	10	5	PA 66 UNFILLED UL94 V0	NATURAL
2-1241817-3	3	4 or 6	0.5 or 1	15	10	PA 66 UL94 V-2	Green
0-1955422-6	3			15	10	PA 66 UNFILLED UL94 V0	NATURAL
8-1241961-8	3			15	10	PA 6	natural
0-1241961-8	3			15	10	UL94V-2	
8-1241961-3	2	4	0.5	10	5		
3-1241961-1	2			10	5	PA 6 UL94V-2	NATURAL
0-1955422-1	2			10	5	PA 66 UNFILLED UL94 V0	NATURAL

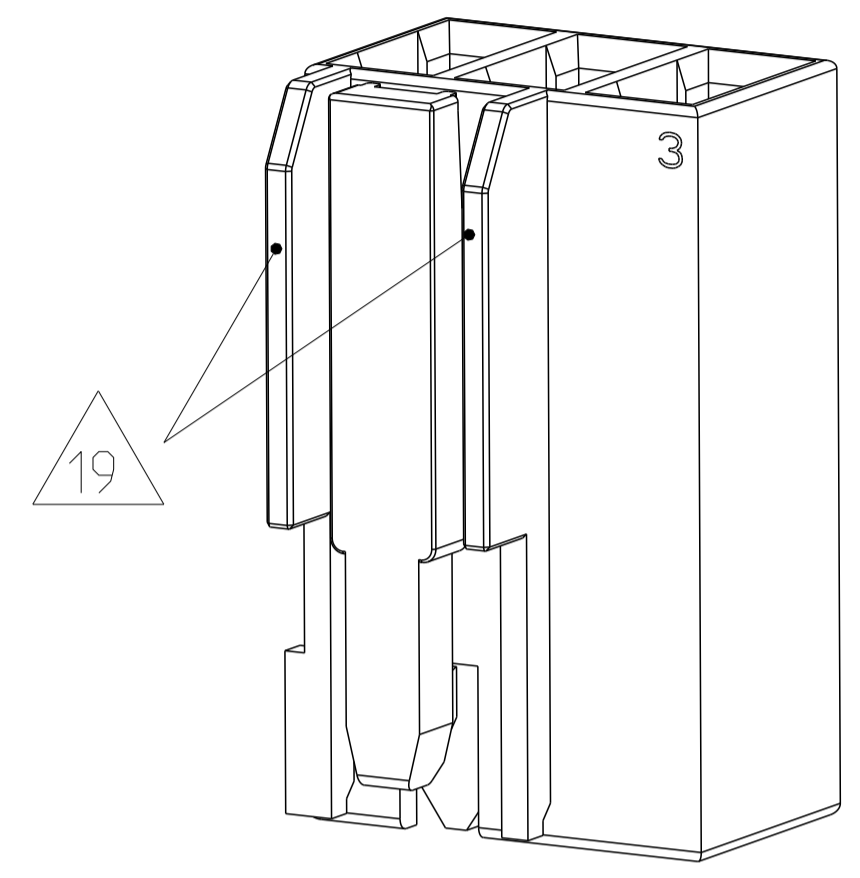
SPECIAL VERSION: UL94 V0 & GWT 750NF							
2178571-3	4			20	15	PA 66, UL94 V-0	NATURAL
2178571-1	3		1	15	10	PA 66, UL94 V-0	NATURAL
2178571-2	2		1	10	5	PA 66, UL94 V-0	NATURAL
4-2178571-3	3	4		10	5	PA 66, UL94 V-0	NATURAL
3-2178571-3	3		0.5	15	10	PA 66, UL94 V-0	NATURAL
2-2178571-3	3		1	15	10	PA 66, UL94 V-0	NATURAL
1-2178571-3	3		1	15	10	PA 66, UL94 V-0	NATURAL
PART NO	POS	DIM C	DIM D	DIM A	DIM B	MATERIAL	COLOUR Farbe

THIS DRAWING IS A CONTROLLED DOCUMENT. DIMENSIONS: mm. TOLERANCES UNLESS OTHERWISE SPECIFIED: 0 PLC ±0.2, 1 PLC ±0.2, 2 PLC ±0.2, 3 PLC ±0.2, 4 PLC ±0.2, ANGLES FINISH: #.

Customer Drawing

STANDARD TIMER HSG. RAST 5 MARK II Standard Timer Gehäuse RAST 5 Mark II

SCALE 5:1 SHEET 2 OF 4



2364739-5	5			25	20	PA66 13 17	BLUE
2364739-4	4			20	15		BLUE
2-2364739-3				15	10		BLUE
1-2364739-3	3	4	0.5	15	10		BLUE
2364739-3				15	10		BLUE
1-2364739-2	2			10	5		BLUE
2364739-2				10	5		BLUE
3-2364739-2				10	5		BLUE
2-2364739-2	2			10	5		BLUE

8-1241961-7	3			15	10	PA66 13	NATURAL
5-1241961-7	3	4 or 6	1	15	10		NATURAL
1-1241961-9	3			15	10		NATURAL
7-1241961-7	3			15	10		NATURAL

2322164-1	4	4	0.5	20	15	PA66 13	NATURAL
-----------	---	---	-----	----	----	------------	---------

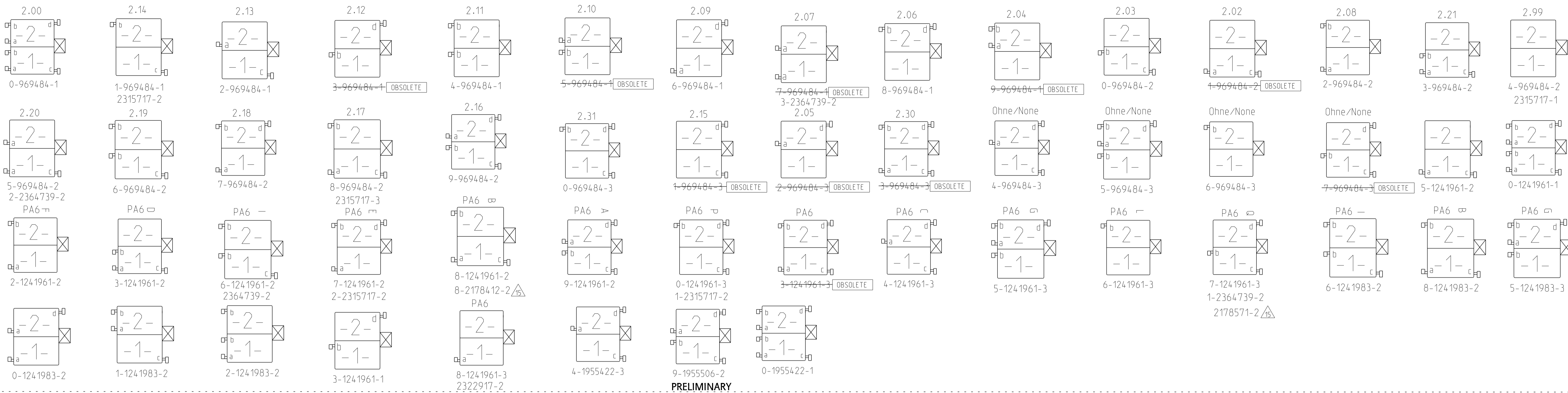
6-2178575-7	3	4	0.5	15	10	PA6 GF15 13	NATURAL
-------------	---	---	-----	----	----	----------------	---------

3-2178412-7	3			15	10	PA66 UL94 VO & GW T 750 NF 13	NATURAL
4-2178412-7	3	6	1	15	10		NATURAL
8-2178412-2	2			10	5		NATURAL

2322917-4	4	4	0.5	20	15	PA66 UL94 VO & GW T 750 NF 13	NATURAL
2322917-2	2			10	5		NATURAL
2315717-1	2			10	5		NATURAL
2315717-2	2			10	5		NATURAL
2315717-3	2			10	5		NATURAL
1-2315717-2	2			10	5		NATURAL
2-2315717-2	2	4	0.5	10	5		NATURAL
2315717-4	4			20	15		NATURAL
2315717-5	4			20	15		NATURAL
2315717-6	3			15	10		NATURAL
2315717-7	3			15	10		NATURAL
1-2315717-3	3			15	10		NATURAL
PART NO.	POS	DIM C 12	DIM D 12	DIM A 12	DIM B 12		MATERIAL

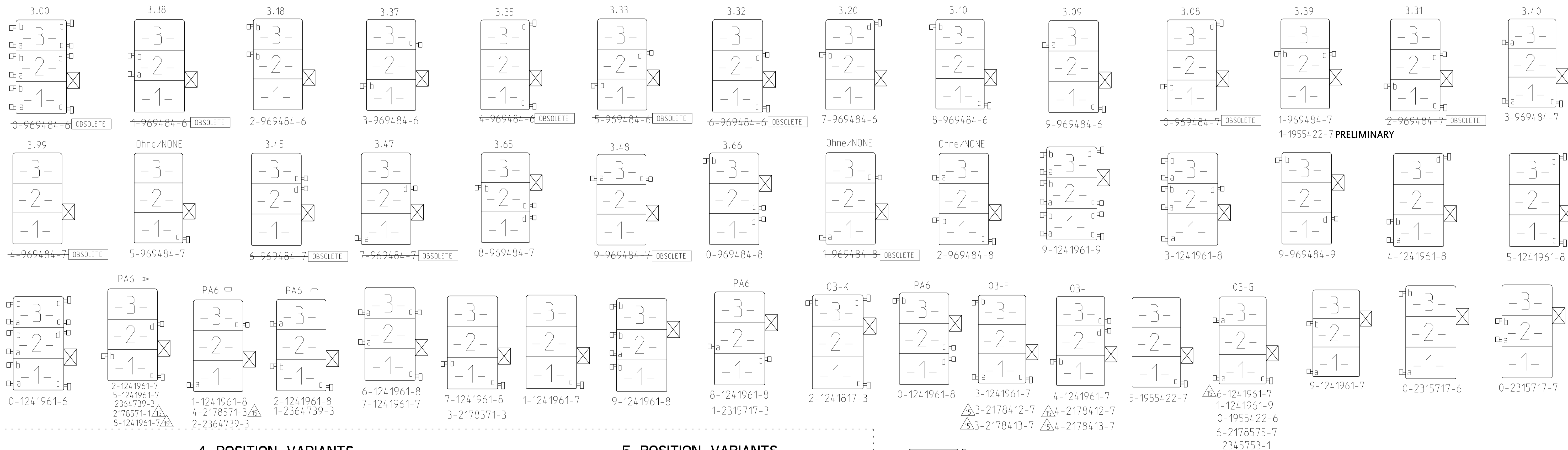
THIS DRAWING IS A CONTROLLED DOCUMENT.		DMN K. Kishor M 18-10-07	TE Connectivity NAME STANDARD TIMER HSG. RAST 5 MARK II Standard Timer Gehäuse RAST 5 Mark II
DIMENSIONS: mm		CHK K. Mundz 18-10-07	
TOLERANCES UNLESS OTHERWISE SPECIFIED:		APVD T. Klanner 18-10-07	PRODUCT SPEC 108-18049
0 PLC ±0.2 1 PLC ±0.2 2 PLC ±0.2 3 PLC ±0.2 4 PLC ± ANGLES ±° FINISH		APPLICATION SPEC	RESTRICTED TO
MATERIAL SEE TABLES, SHEETS PAGE 2 AND 3 OF 4		WEIGHT	SIZE A1
Customer Drawing		SCALE 5:1	DRAWING NO 00779
		SHEET 3	OF 4
		REV E	16

### 2 POSITION VARIANTS



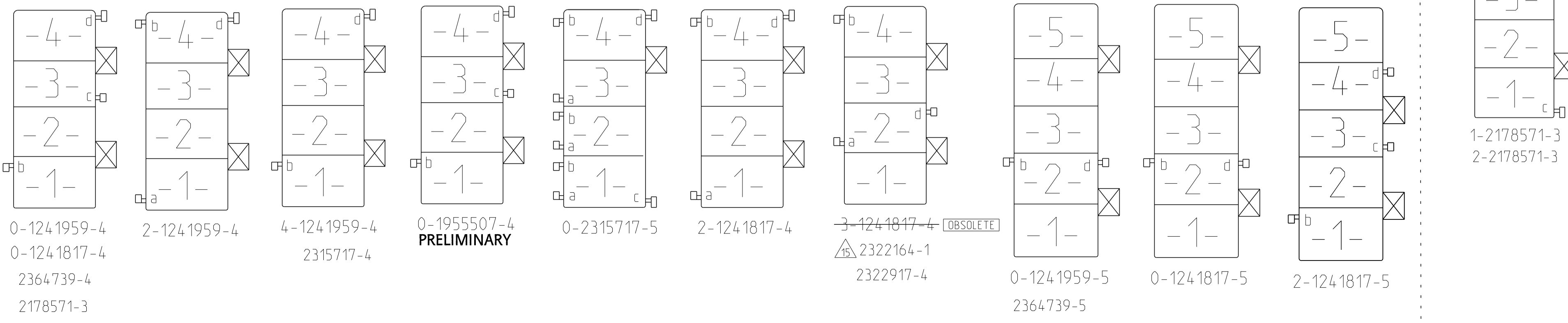
PRELIMINARY

### 3 POSITION VARIANTS



### 4 POSITION VARIANTS

### 5 POSITION VARIANTS



THIS DRAWING IS A CONTROLLED DOCUMENT.		OWN K. Kishor M 18-10-07	 TE Connectivity	NAME STANDARD TIMER HSG. RAST 5 MARK II Standard Timer Gehäuse RAST 5 Mark II	
DIMENSIONS: mm		CHK K. Mundz 18-10-07			SIZE A1 CAGE CODE 00779 DRAWING NO. 1241961
TOLERANCES UNLESS OTHERWISE SPECIFIED:		APVD T. Klanner 18-10-07			
0 PLC ±0.2 1 PLC ±0.2 2 PLC ±0.2 3 PLC ±0.2 4 PLC ±0.2 ANGLES ±° FINISH ±*		PRODUCT SPEC 108-18049 APPLICATION SPEC			
MATERIAL: SEE TABLES, SHEETS PAGE 2 AND 3 OF 4		WEIGHT -	RESTRICTED TO -		
Customer Drawing			SCALE 5:1	REV E16	