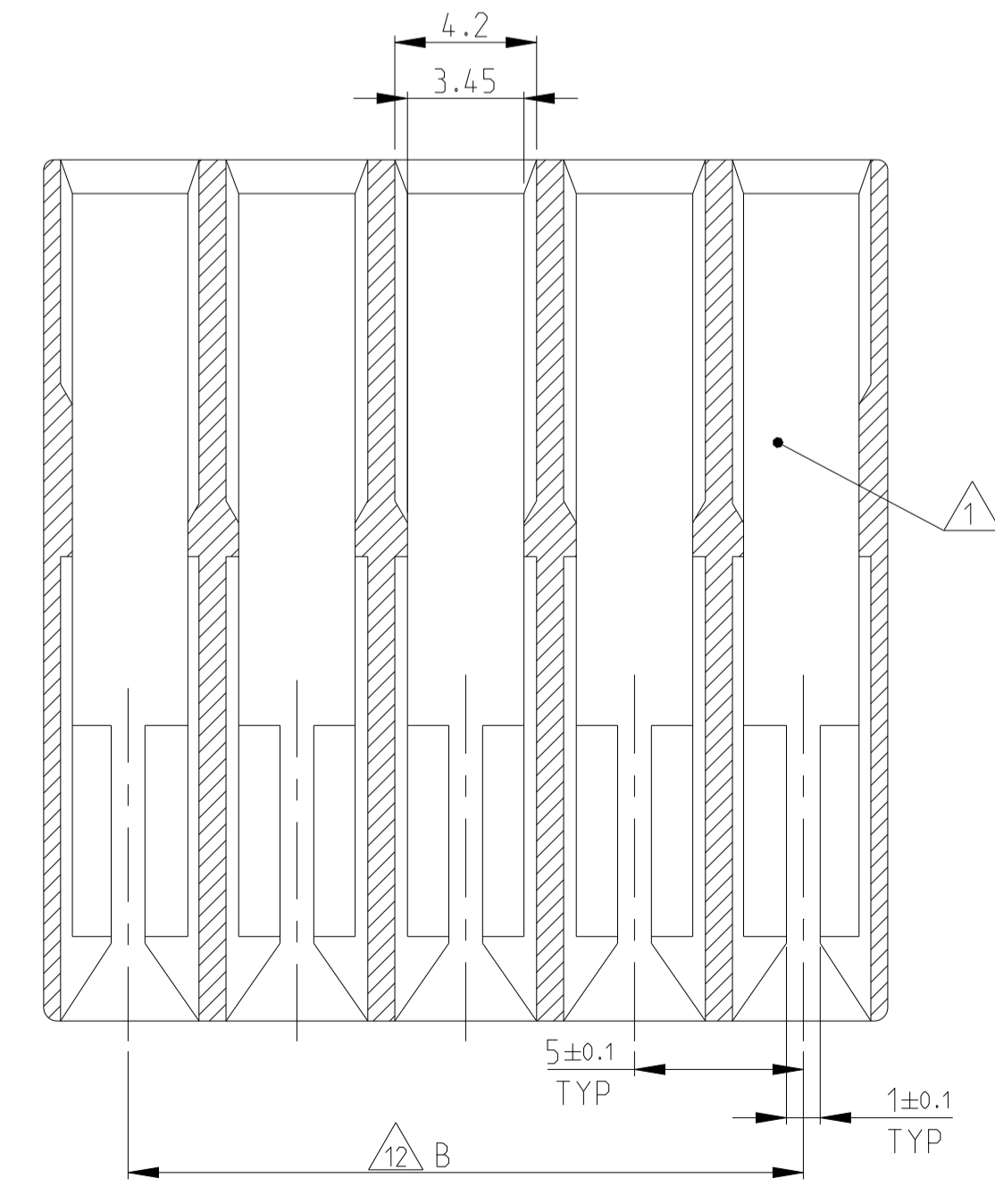
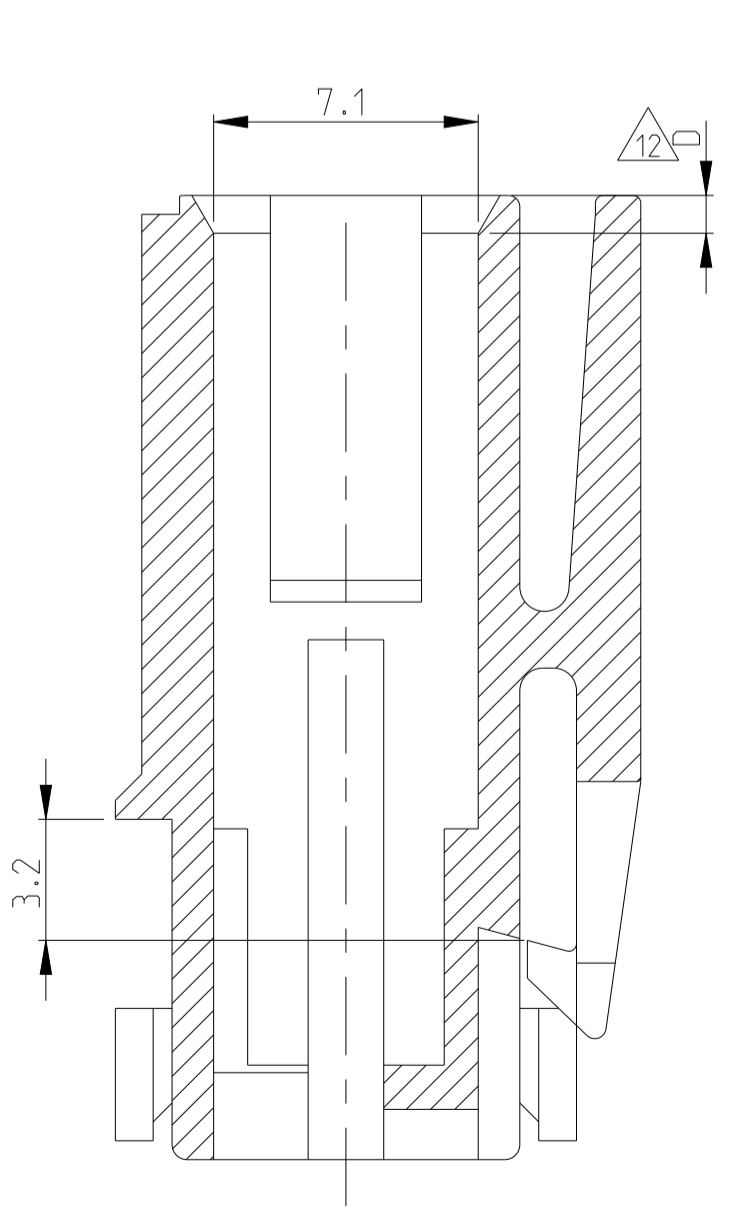
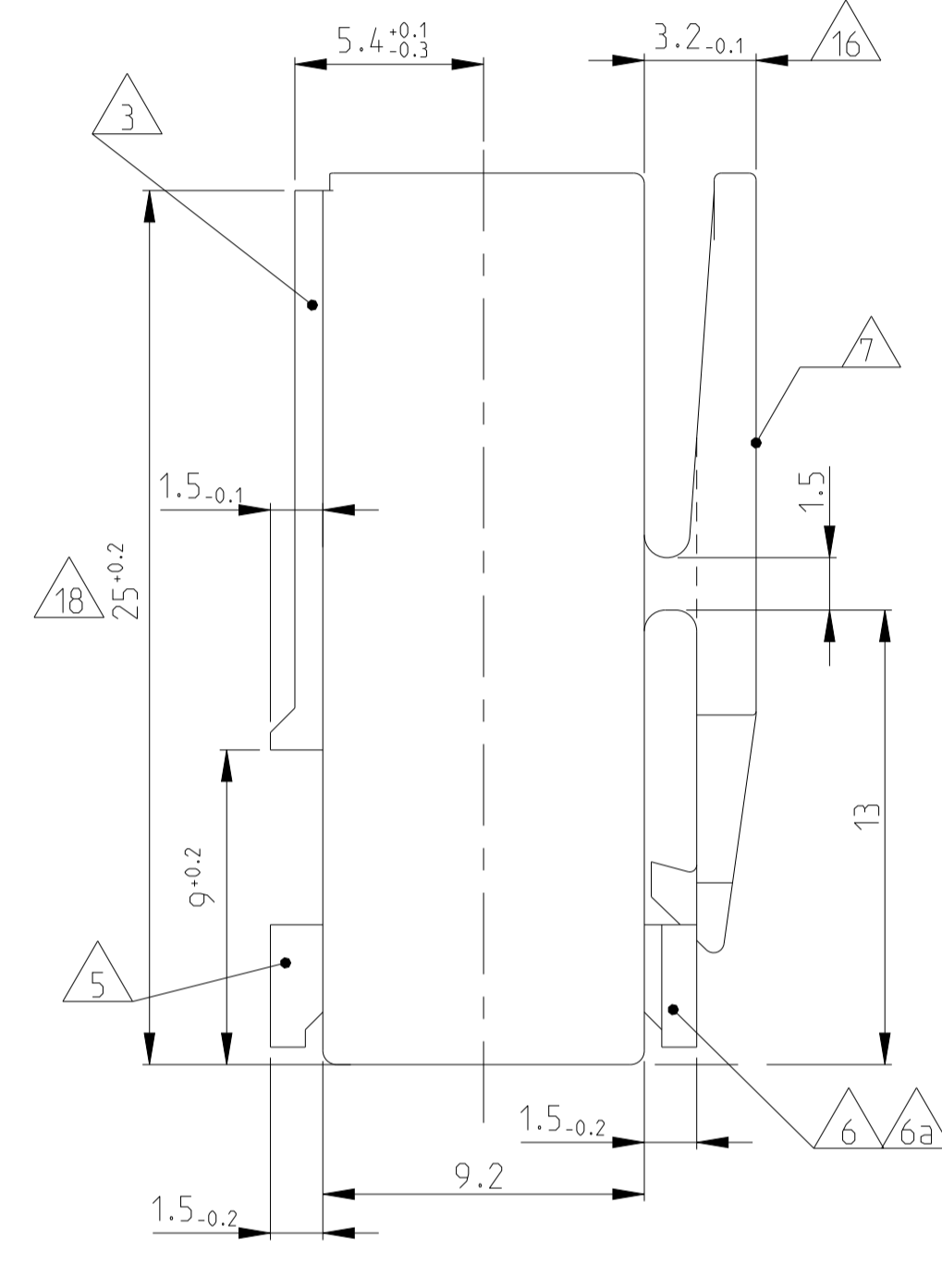
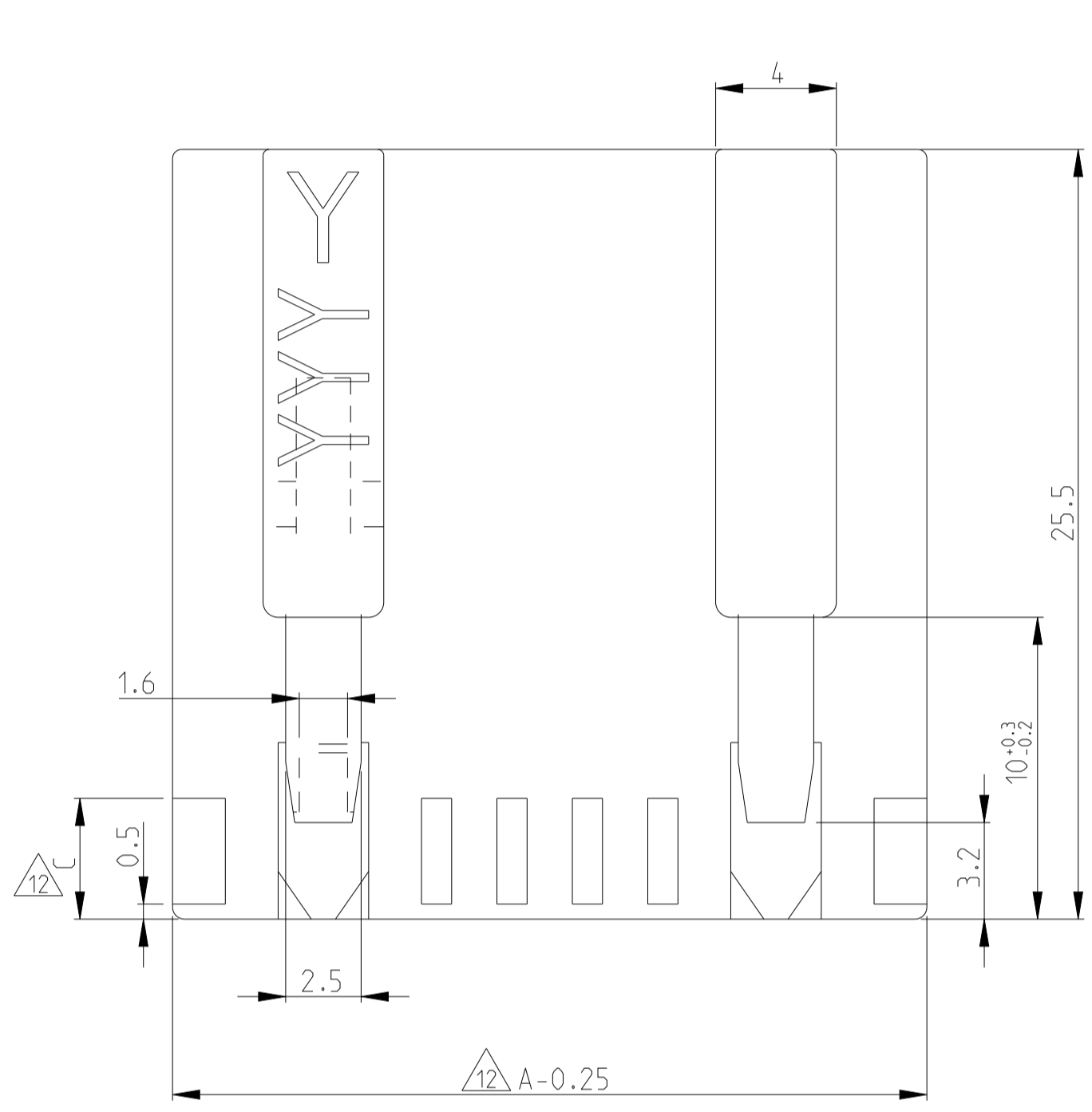
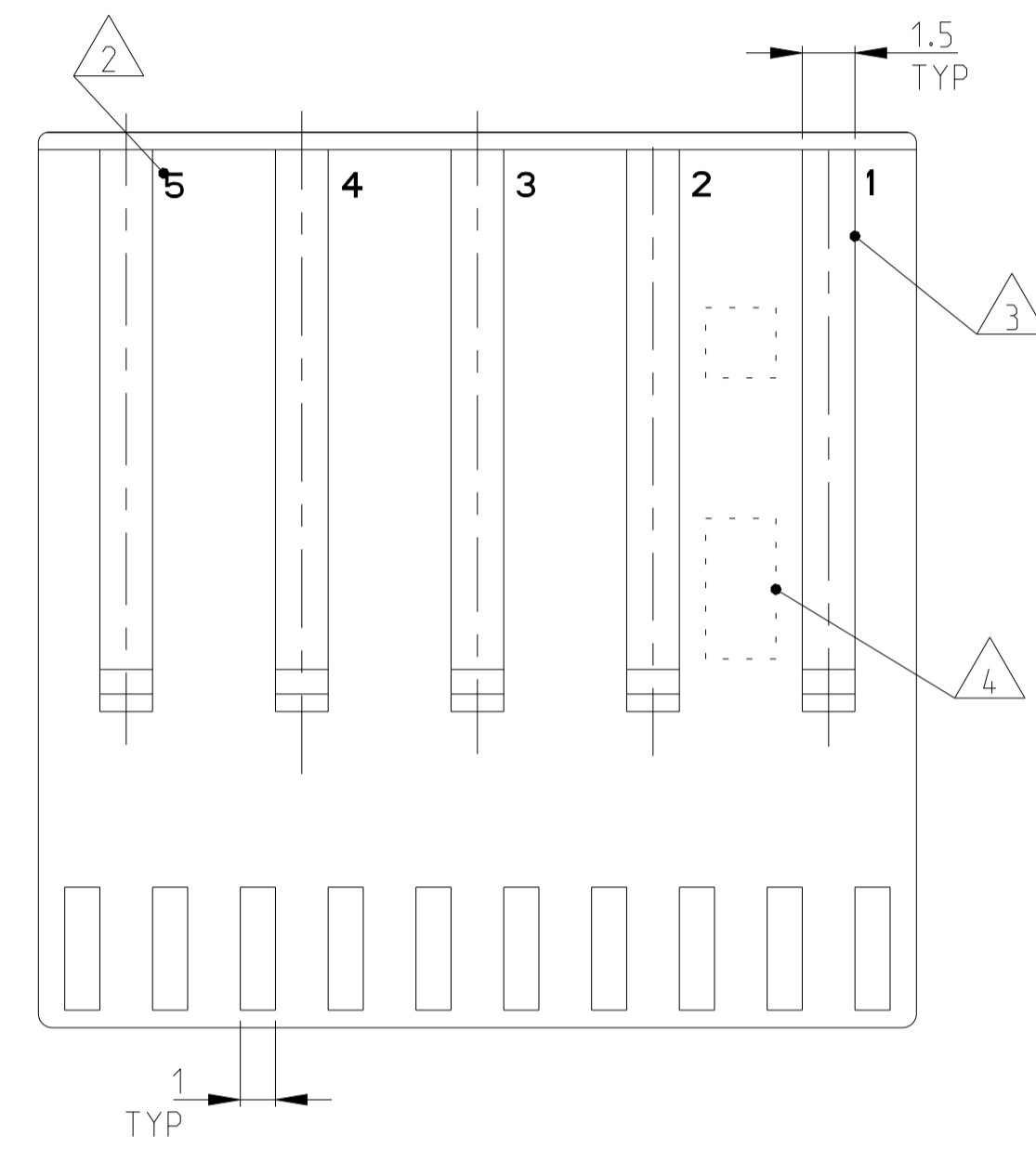
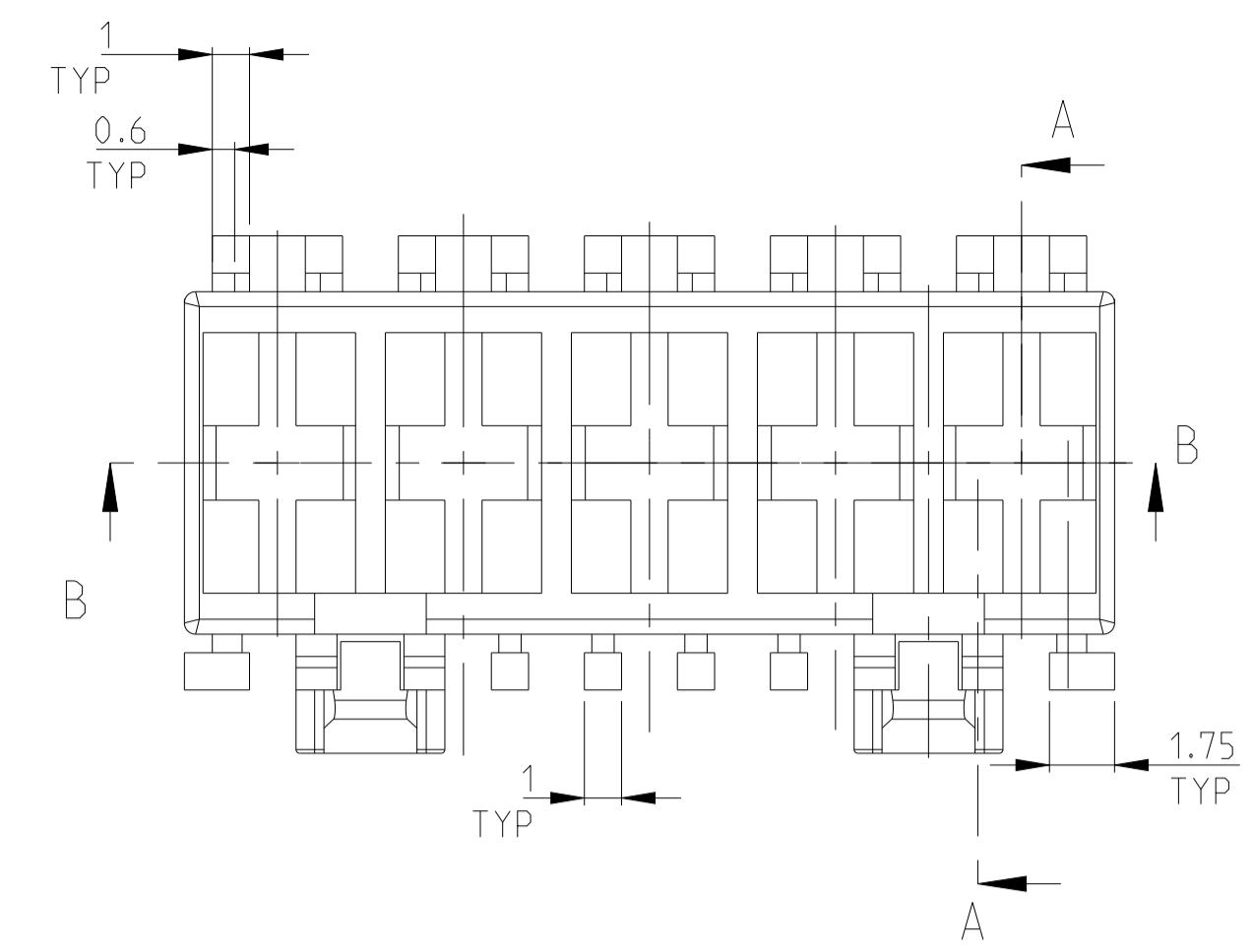


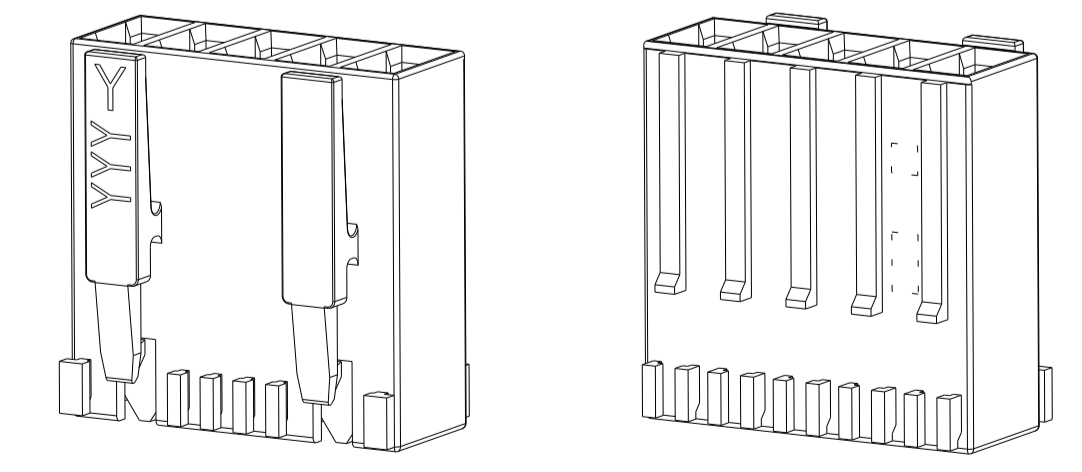
REVISONS		DATE	OWN	APVD
E11	ECR-24-222000	27SEP2024	TL	FL
E12	ECR-24-222326	01OCT2024	SM	FL
E13	REVISED PER ECR-24-230188	23DEC2024	DK	FL
E14	ECR-25-231610	09JAN2025	DC	FL



REMARKS/Bemerkungen

- 1 CAVITY SUITABLE FOR STANDARD TIMER CONTACTS LISTED IN PROD.SPEC. 108-18049, ITEM 3.3.2
Kammer geeignet für Standard Timer Kontakte gelistet in Prod. Spec. 108-18049, Punkt 3.3.2
- 2 CONTACT CAVITY NO.
Kontaktkammernummerierung
- 3 MATING STOP
Tiefenanschlag
- 4 AREA FOR TE LOGO ACC: TO SPEC 202-36
Bereich für TE Logo nach Spec. 202-36
- 5 POLARIZATION RIB POSITION "a" AND/OR "b"
Polarisierungsrippe Position "a" und/oder "b"
- 6 KEYING RIB POSITION "c" AND/OR "d"
Kodierrippe Position "c" und/oder "d"
- 6a KEYING RIB POSITION "c" AND/OR "d" AT THE END WALLS OF THE HOUSING
Kodierrippe Position "c" und/oder "d" an den Gehäuseseiten
- 7 LOCKING LATCH
Rasthaken
- 8 TE PART NO (PN)
TE Bestell Nr. (PN)
- 9 DESIGN OF THE HOUSINGS ACC: TO RAST 5 STANDARD
Gehäuseausführung gemäß RAST 5 Vorgabe
- 10 GENERAL SUITABLE TAB HEADER SEE RAST 5 PERFORMANCE
Generell passende Flachsteckerwanne siehe RAST 5 Vorgabe
- 11 PACKAGING: BULK PACKAGING IN CORRUGATED BOX PN 740580-2
2 POS. 2500 PIECES PER BOX / 3 POS. 2000 PIECES PER BOX
Verpackung: Schüttgut in Versandkarton Pn 740580-2
2pol. 2500 Stück per Karton / 3pol. 2000 Stück per Karton
- 12 DIMENSION A, B C AND D SEE SHEET 2 OF 3
- 13 MATERIAL CORRESPONDS TO THE REQUIREMENT EN 60335
(INCL. GLOW WIRE TEST 750° WITHOUT FLAME)
Material entspricht den Anforderungen der EN 60335
(inkl. Glühdrahtfest 750° ohne Flamme)
- 14 OPTIONAL RATIO NUMBER OF THE KEYING VERSION, MOLDED OR INKJET PRINTED. SEE SHEET 2
Optionale Kodierungskennnummer, mit Tintenstrahldrucker aufgebracht oder spritzgegossen. siehe Blatt 2
- 15 PRELIMINARY- NOT RELEASED FOR PRODUCTION
- 16 ONLY FOR 9-1241961-7, DIMENSION 3.2 -0.2
- 17 DOUBLE SOURCE RESIN: ALTERNATIVE RESIN UNDER APPROVAL
- 18 ALLOWED 25±0.2 FOR P/Ns X-2364739-X.
- 19 ONLY FOR 8-1241961-7, SPECIAL VERSION WITH RIBS ON SURFACE AND ENHANCED LATCH

5 POSITION STD. TIMER MARK-II HOUSING



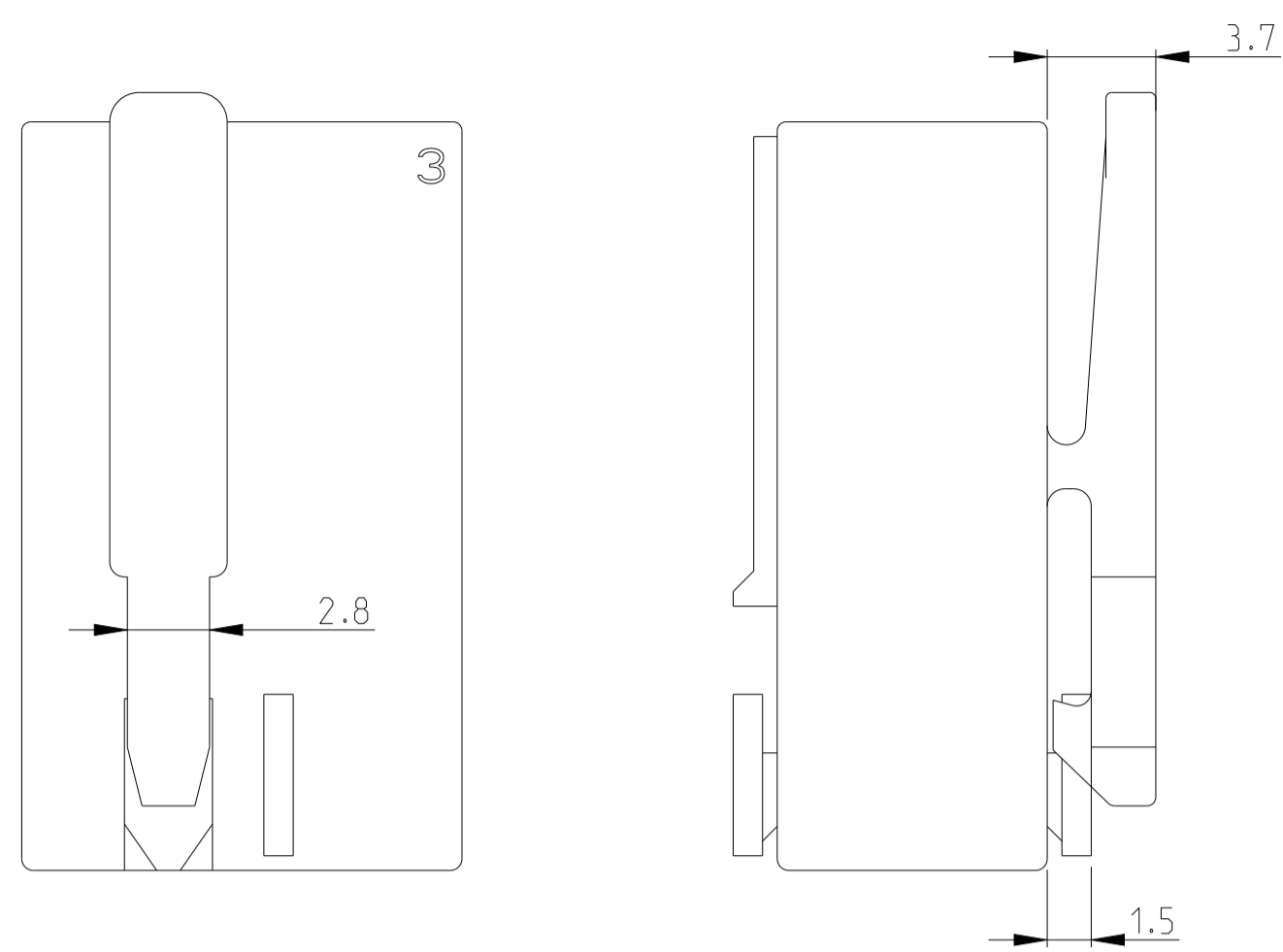
SCALE 2:1

SECTION A-A / Schnitt A-A

SECTION B-B / Schnitt B-B

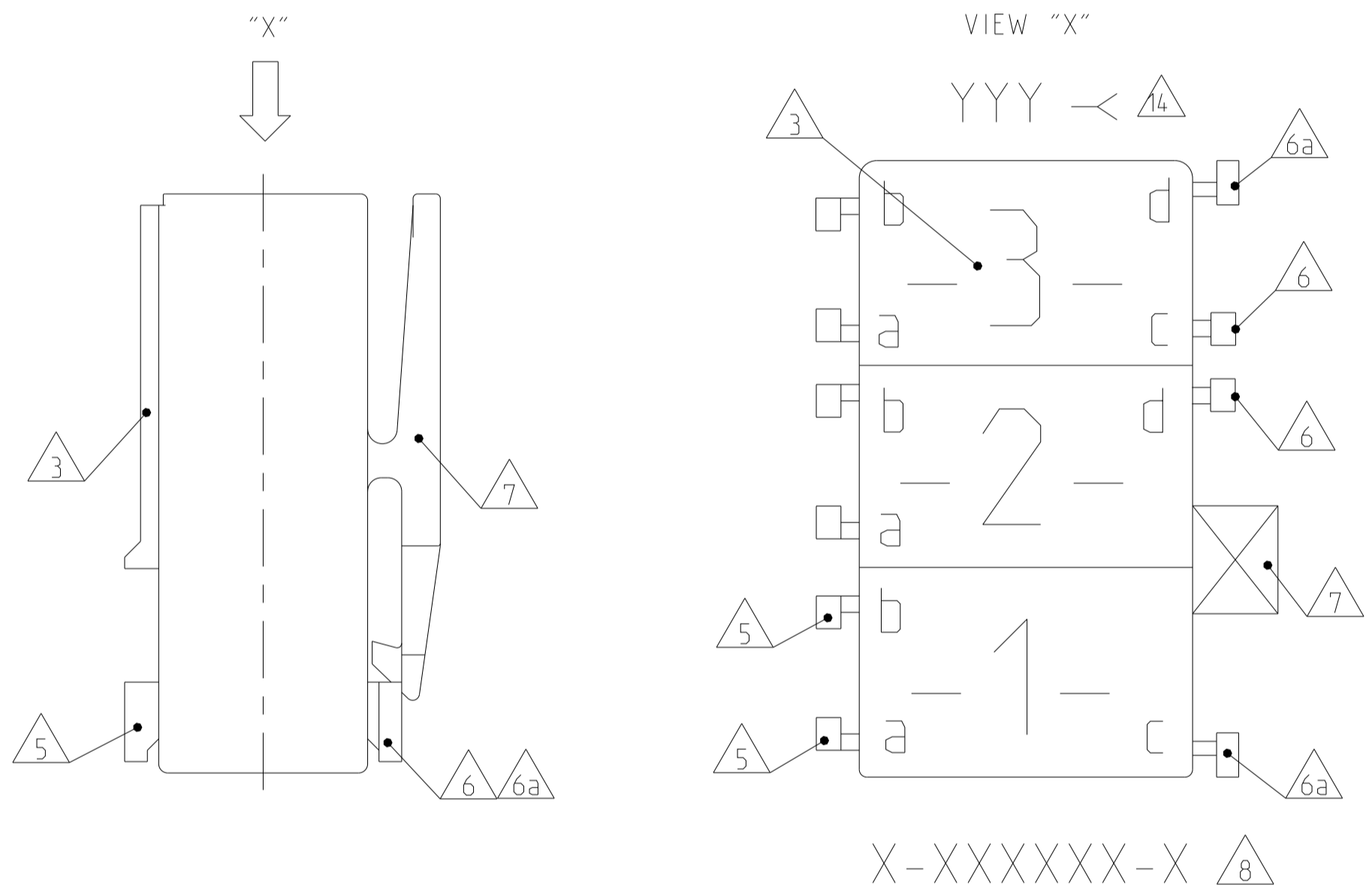
THIS DRAWING IS A CONTROLLED DOCUMENT.		OWN: Kishor M. 18-10-07	TE Connectivity	
DIMENSIONS: mm		CHK: K.Mundz 18-10-07	APVD: T.Klanner 18-10-07	
TOLERANCES UNLESS OTHERWISE SPECIFIED:		NAME: STANDARD TIMER HSG. RAST 5 MARK II		
0 PLC ±0.2		PRODUCT SPEC: 108-18049-1		
1 PLC ±0.2		APPLICATION SPEC:		
2 PLC ±0.2		SIZE: A1		
3 PLC ±0.2		CAGE CODE: 00779		
4 PLC ±0.2		DRAWING NO: 1241961		
ANGLES: -		SHEET 1 OF 4		
FINISH: -		REV: E14		
MATERIAL: SEE TABLES, SHEETS PAGE 2 AND 3 OF 4		Customer Drawing		
WEIGHT: -		SCALE: 5:1		

ONLY 5-1241961-7, 1-1241961-9, 7-1241961-7, 2345753-1, 2-2178571-3



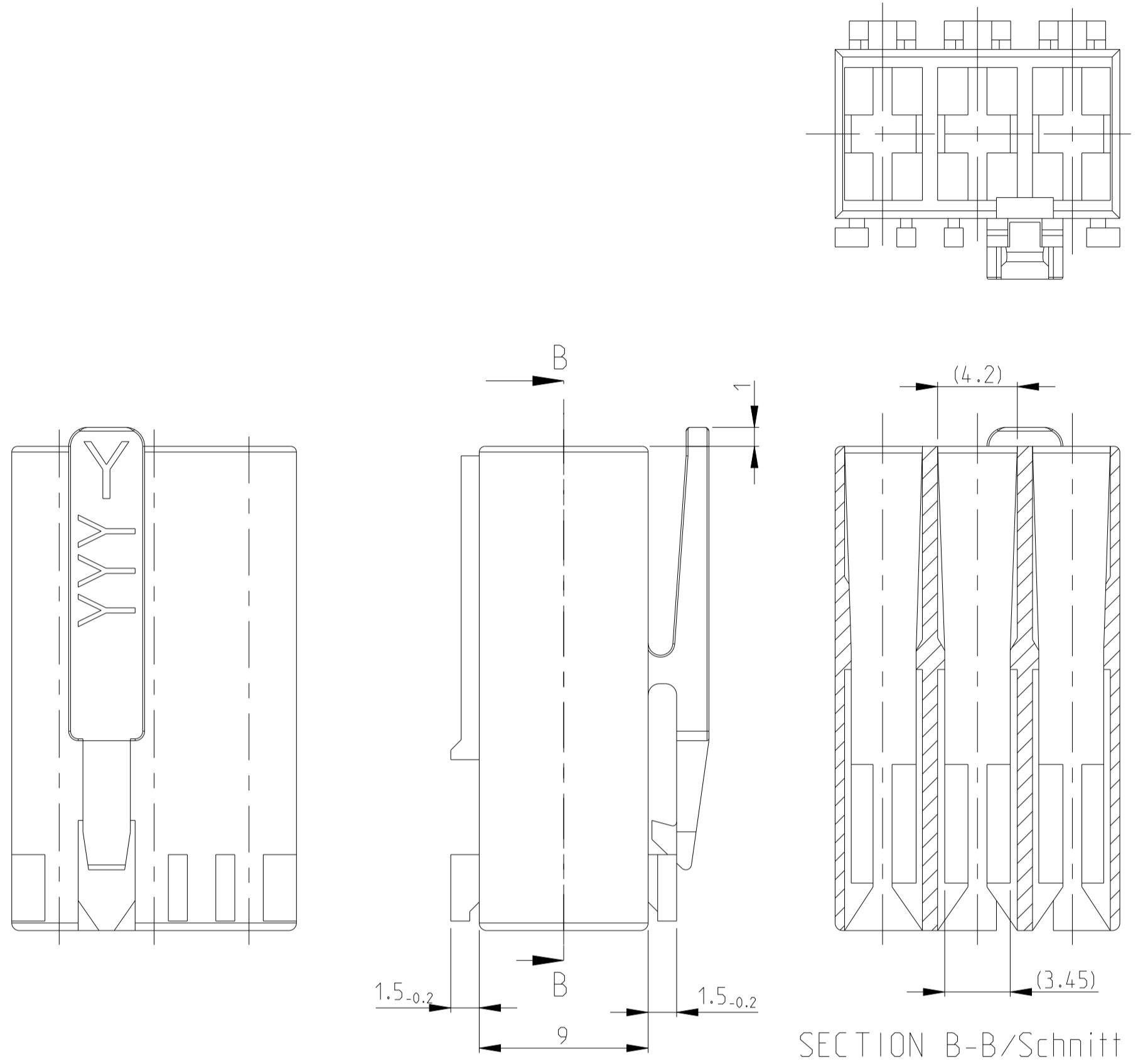
ALL OTHER DIMENSIONS SEE SHEET 1 OF 3

KEY LAYOUT DESCRIPTION



DIFFERENT CAVITY GEOMETRY AND LOCKING LATCH OVERHANG (OPTIONAL)

FOR 2 POS. AND 3 POS.



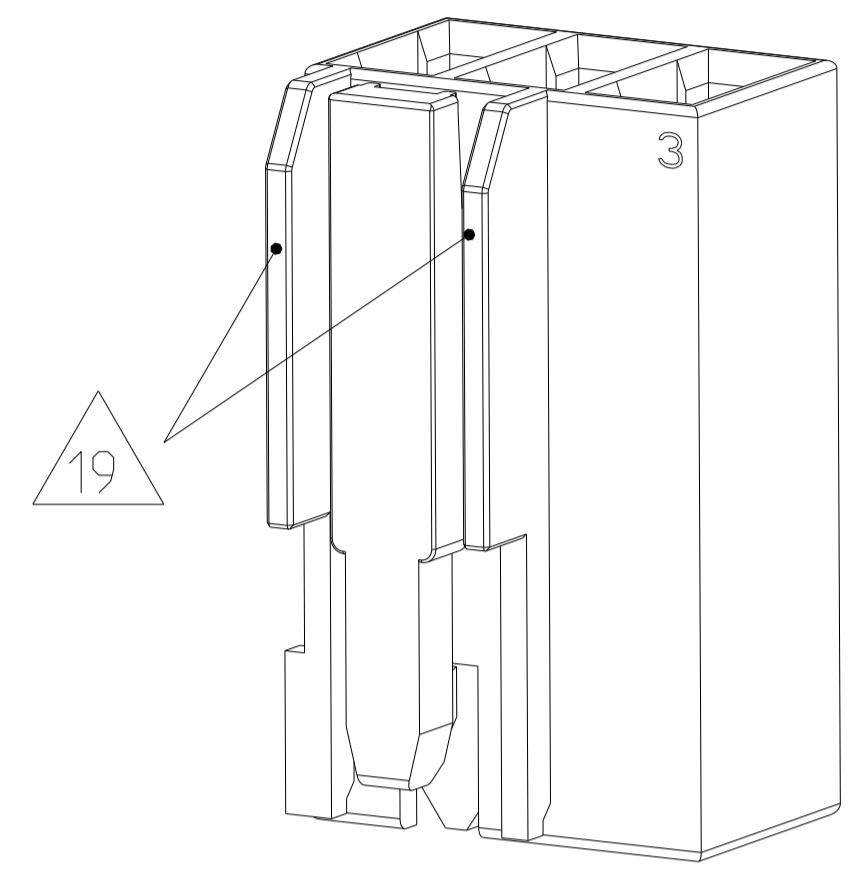
ALL OTHER DIMENSIONS SEE SHEET 1 OF 3
Alle anderen Masse siehe Seite 1 von 3

SPECIAL VERSION: UL94 V0 & GWT 750NF						
PART NO	POS	DIM C	DIM D	DIM A	DIM B	COLOUR Farbe
2178571-3	4	1	20	15	PA 66, UL94 V-0	NATURAL
2178571-1	3	1	15	10	PA 66, UL94 V-0	NATURAL
2178571-2	2	1	10	5	PA 66, UL94 V-0	NATURAL
4-2178571-3	3	4	10	5	PA 66, UL94 V-0	NATURAL
3-2178571-3	3	0.5	15	10	PA 66, UL94 V-0	NATURAL
2-2178571-3	3	1	15	10	PA 66, UL94 V-0	NATURAL
1-2178571-3	3	1	15	10	PA 66, UL94 V-0	NATURAL

SPECIAL MATERIAL: UL94 V0							
PART NO	POS	DIM C	DIM D	DIM A	DIM B	MATERIAL	COLOUR Farbe
2345753-1	3	6	1	15	10	PA66	NATURAL
1955507-4	4	6	1	20	15	PA66	NATURAL
9-1955506-2	2	6	1	10	5	UL 94 V0	NATURAL
6-1241961-7	3	4	0.5	15	10	PA 6 UL94V-2	NATURAL
4-1241961-7	3	4	0.5	15	10	PA 6 UL94V-2	NATURAL
3-1241961-7	3	4	0.5	15	10	PA 6 UL94V-2	NATURAL
1-1955422-7	3	4	0.5	15	10	PA 66 UNFILLED UL94 V0	NATURAL
5-1955422-7	3	4	0.5	15	10	PA 66 UNFILLED UL94 V0	NATURAL
4-1955422-3	2	6	1	10	5	PA 66 UNFILLED UL94 V0	NATURAL
2-1241817-3	3	4 or 6	0.5 or 1	15	10	PA 66 UL94 V-2	Green
0-1955422-6	3	4	0.5	15	10	PA 66 UNFILLED UL94 V0	NATURAL
8-1241961-8	3	4	0.5	15	10	PA 6 UL94V-2	natural
0-1241961-8	3	4	0.5	15	10	PA 6 UL94V-2	natural
8-1241961-3	2	4	0.5	10	5	PA 6 UL94V-2	natural
3-1241961-1	2	4	0.5	10	5	PA 6 UL94V-2	natural
0-1955422-1	2	4	0.5	10	5	PA 66 UNFILLED UL94 V0	NATURAL

REVISIONS									
REV	DATE	BY	APPV	DESCRIPTION					
1				SEE SHEET-01					
2									
3									
4									
5									
6									
7									
8									
9									
10									
11									
12									
13									
14									
15									
16									
17									
18									
19									
20									
21									
22									
23									
24									
25									
26									
27									
28									
29									
30									
31									
32									
33									
34									
35									
36									
37									
38									
39									
40									
41									
42									
43									
44									
45									
46									
47									
48									
49									
50									
51									
52									
53									
54									
55									
56									
57									
58									
59									
60									
61									
62									
63									
64									
65									
66									
67									
68									
69									
70									
71									
72									
73									
74									
75									
76									
77									
78									
79									
80									
81									
82									
83									
84									
85									
86									
87									
88									
89									
90									
91									
92									
93									
94									
95									
96									
97									
98									
99									
100									

LOC		DIST		REVISIONS			
P	LTN	DESCRIPTION	DATE	DMN	APVD		
		SEE SHEET-01					



2364739-5	5			25	20	PA66 13 17	BLUE
2364739-4	4			20	15		BLUE
2-2364739-3	3	4	0.5	15	10		BLUE
1-2364739-3	3			15	10		BLUE
2364739-3	3			15	10		BLUE
1-2364739-2	2			10	5		BLUE
2364739-2	2			10	5		BLUE
3-2364739-2	2			10	5		BLUE
2-2364739-2	2			10	5		BLUE

8-1241961-7	3	4 or 6	1	15	10	PA66 13	NATURAL
5-1241961-7	3			15	10		NATURAL
1-1241961-9	3			15	10		NATURAL
7-1241961-7	3			15	10		NATURAL

2322164-1	4	4	0.5	20	15	PA66 13	NATURAL
-----------	---	---	-----	----	----	------------	---------

6-2178575-7	3	4	0.5	15	10	PA6 GF15 13	NATURAL
-------------	---	---	-----	----	----	----------------	---------

3-2178412-7	3	6	1	15	10	PA66 UL94 VO & GW T 750 NF 13	NATURAL
4-2178412-7	3			15	10		NATURAL
8-2178412-2	2			10	5		NATURAL

2322917-4	4	4	0.5	20	15	PA66 UL94 VO & GW T 750 NF 13	NATURAL			
2322917-2	2			10	5		NATURAL			
2315717-1	2			10	5		NATURAL			
2315717-2	2			10	5		NATURAL			
2315717-3	2			10	5		NATURAL			
1-2315717-2	2			10	5		NATURAL			
2-2315717-2	2			10	5		NATURAL			
2315717-4	4			20	15		NATURAL			
2315717-5	4			20	15		NATURAL			
2315717-6	3			15	10		NATURAL			
2315717-7	3			15	10		NATURAL			
1-2315717-3	3			15	10		NATURAL			
PART NO.	POS			DIM C 12	DIM D 12		DIM A 12	DIM B 12	MATERIAL	COLOUR

THIS DRAWING IS A CONTROLLED DOCUMENT.

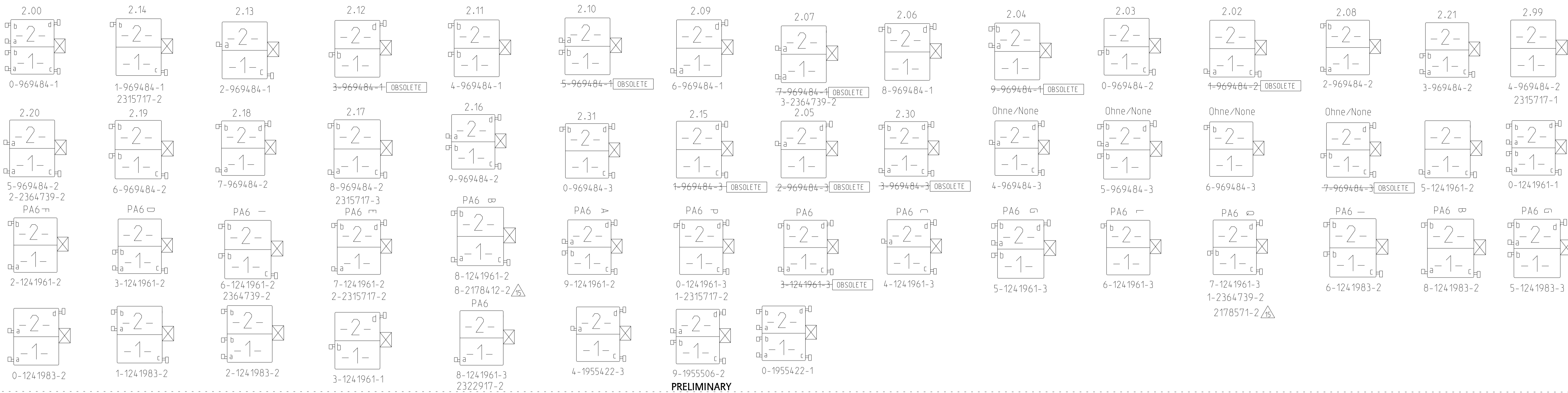
DIMENSIONS:	TOLERANCES UNLESS OTHERWISE SPECIFIED:	DMN	18-10-07	
mm	0 PLC ±0.2 1 PLC ±0.2 2 PLC ±0.2 3 PLC ±0.2 4 PLC ±0.2 ANGLES ±° FINISH	CHK	18-10-07	
		APVD	18-10-07	
		NAME: Klennor PRODUCT SPEC: 108-18049 APPLICATION SPEC:		
MATERIAL: SEE TABLES, SHEETS PAGE 2 AND 3 OF 4		WEIGHT	-	RESTRICTED TO
		Customer Drawing	SCALE 5:1	SHEET 3 OF 4

STANDARD TIMER HSG. RAST 5 MARK II
 Standard Timer Gehäuse RAST 5 Mark II

SIZE: A1 CAGE CODE: 00779 DRAWING NO: 1241961

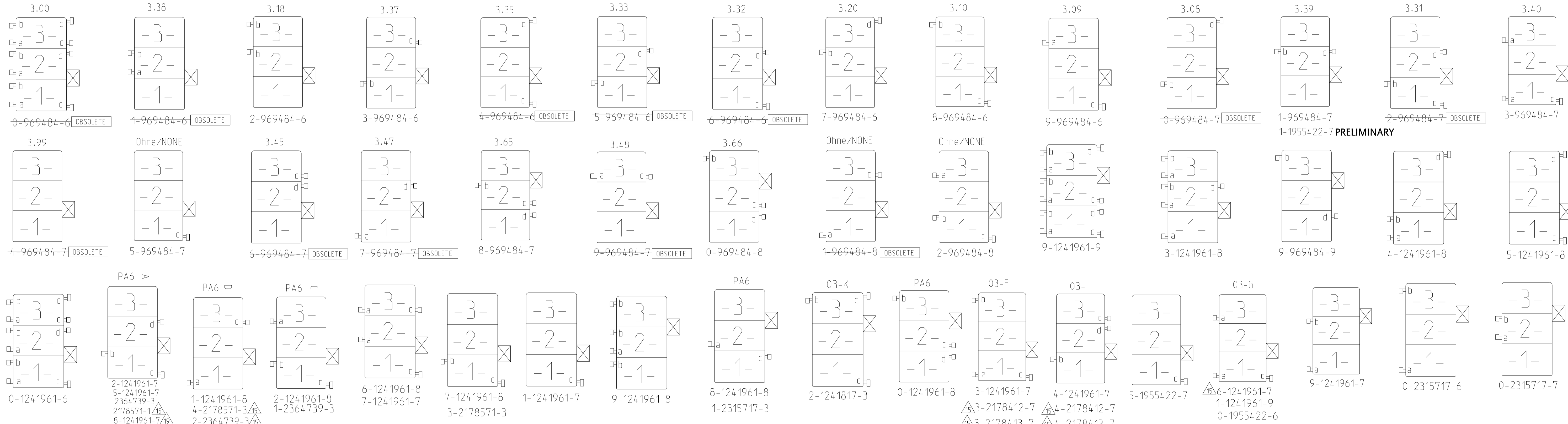
REV: 14

2 POSITION VARIANTS



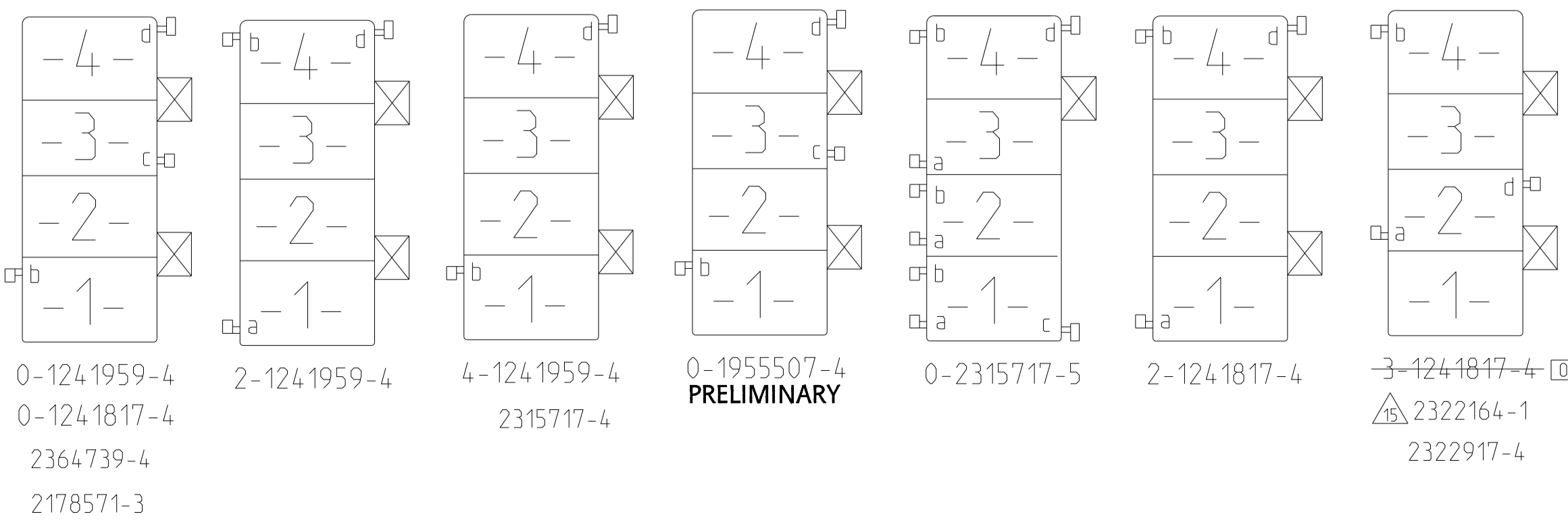
PRELIMINARY

3 POSITION VARIANTS

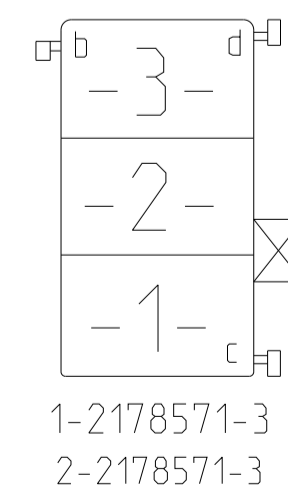
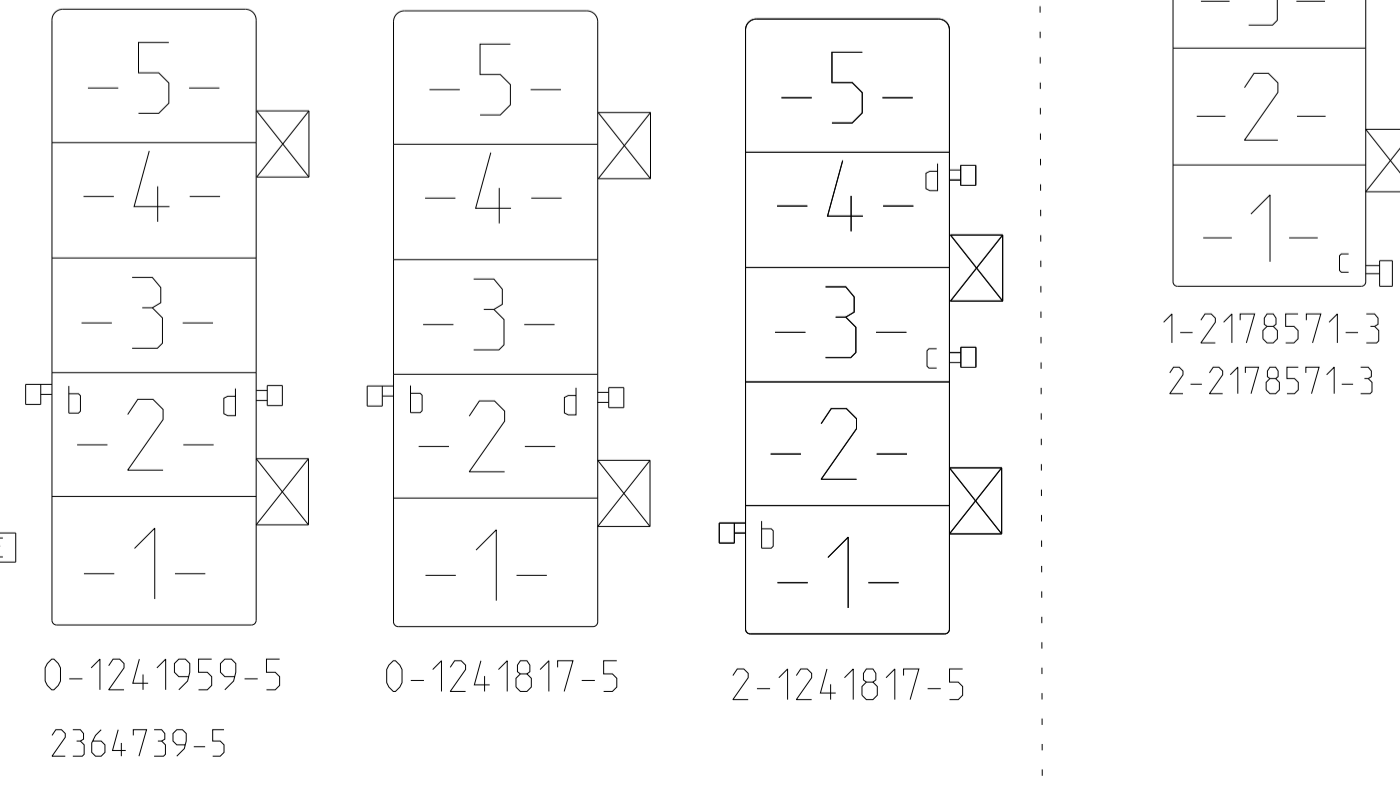


PRELIMINARY

4 POSITION VARIANTS



5 POSITION VARIANTS



THIS DRAWING IS A CONTROLLED DOCUMENT. DIMENSIONS: mm. TOLERANCES UNLESS OTHERWISE SPECIFIED: 0 PLC ±0.2, 1 PLC ±0.2, 2 PLC ±0.2, 3 PLC ±, 4 PLC ±, ANGLES °, FINISH ±*.

OWN: K. Kishor M 18-10-07
CHK: K. Mundz 18-10-07
APVD: T. Klanner 18-10-07

NAME: STANDARD TIMER HSG. RAST 5 MARK II Standard Timer Gehäuse RAST 5 Mark II

SIZE: A1 CAGE CODE: 00779 DRAWING NO: 1241961 RESTRICTED TO: -

MATERIAL: SEE TABLES, SHEETS PAGE 2 AND 3 OF 4. WEIGHT: -

Customer Drawing SCALE: 5:1 SHEET: 4 OF 4 REV: E 14