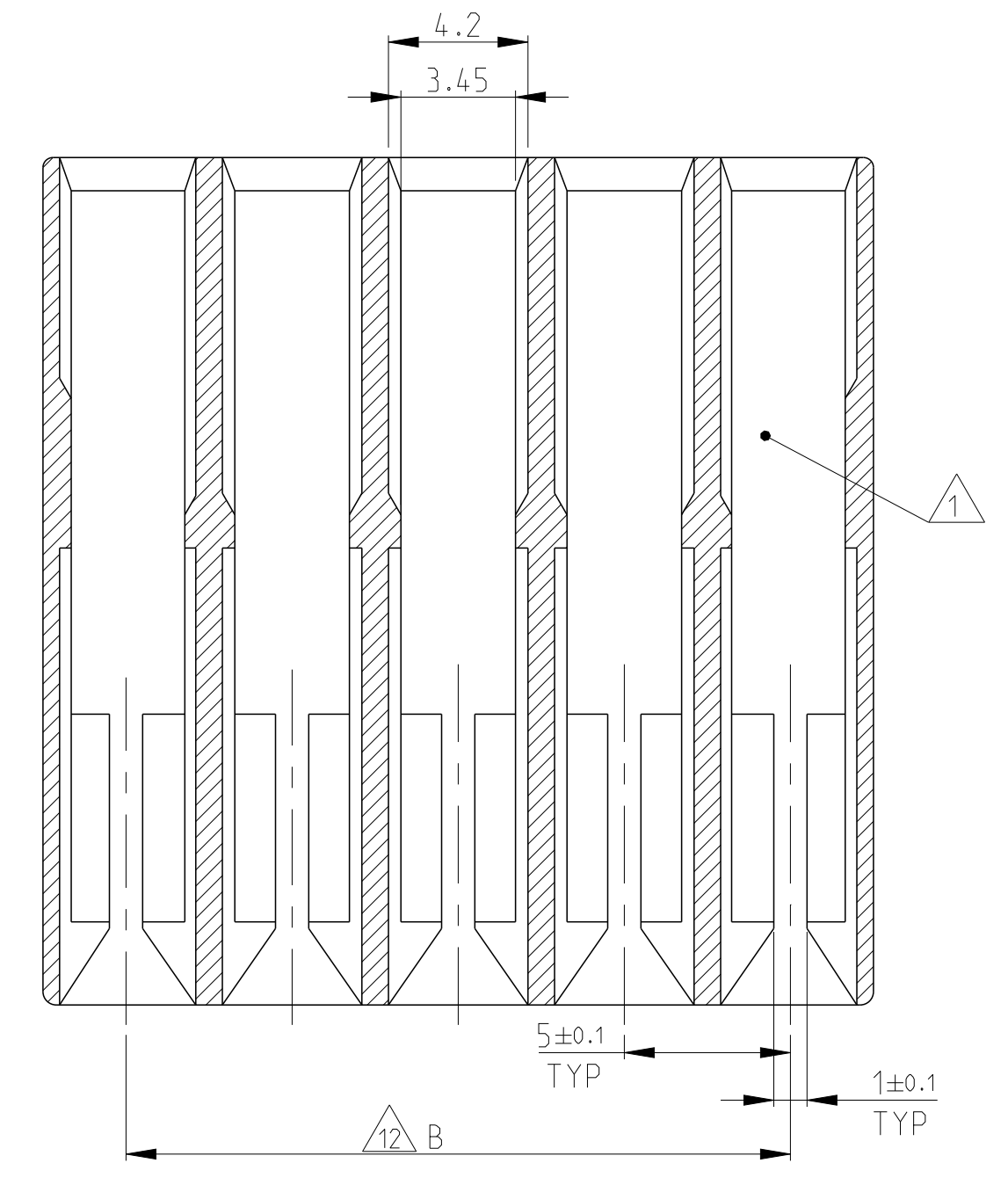
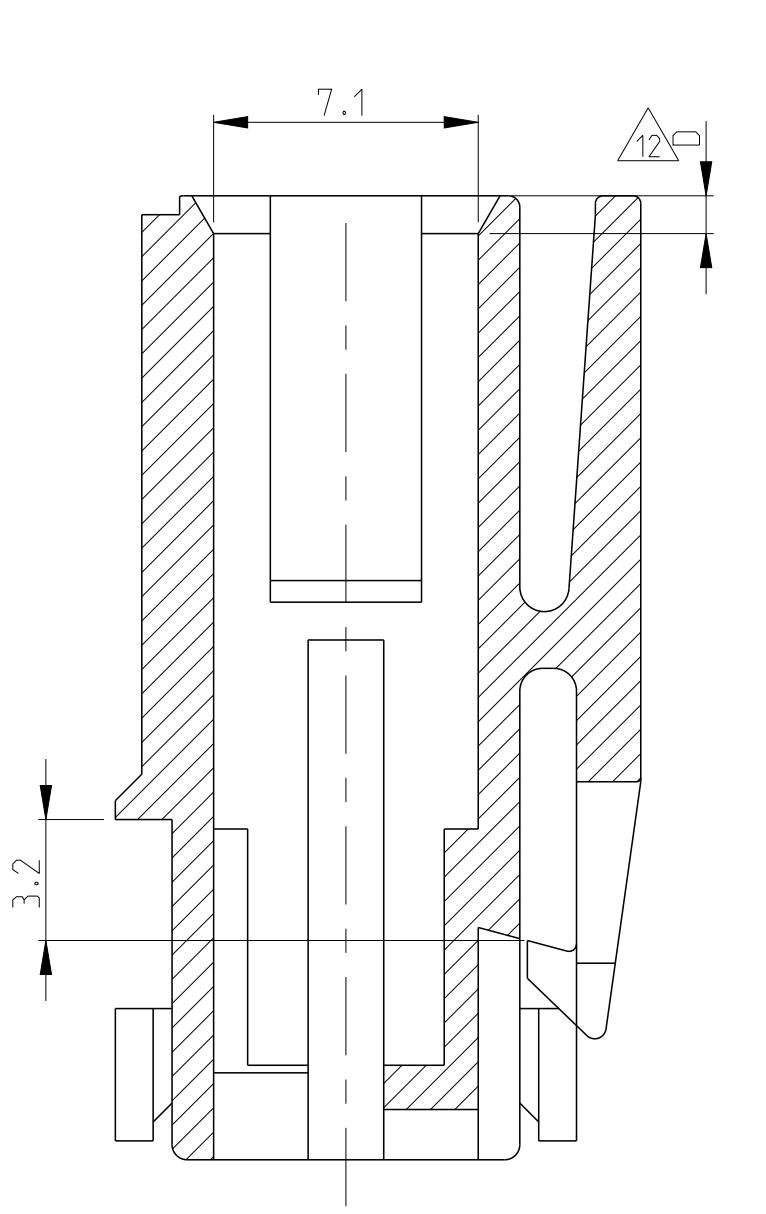
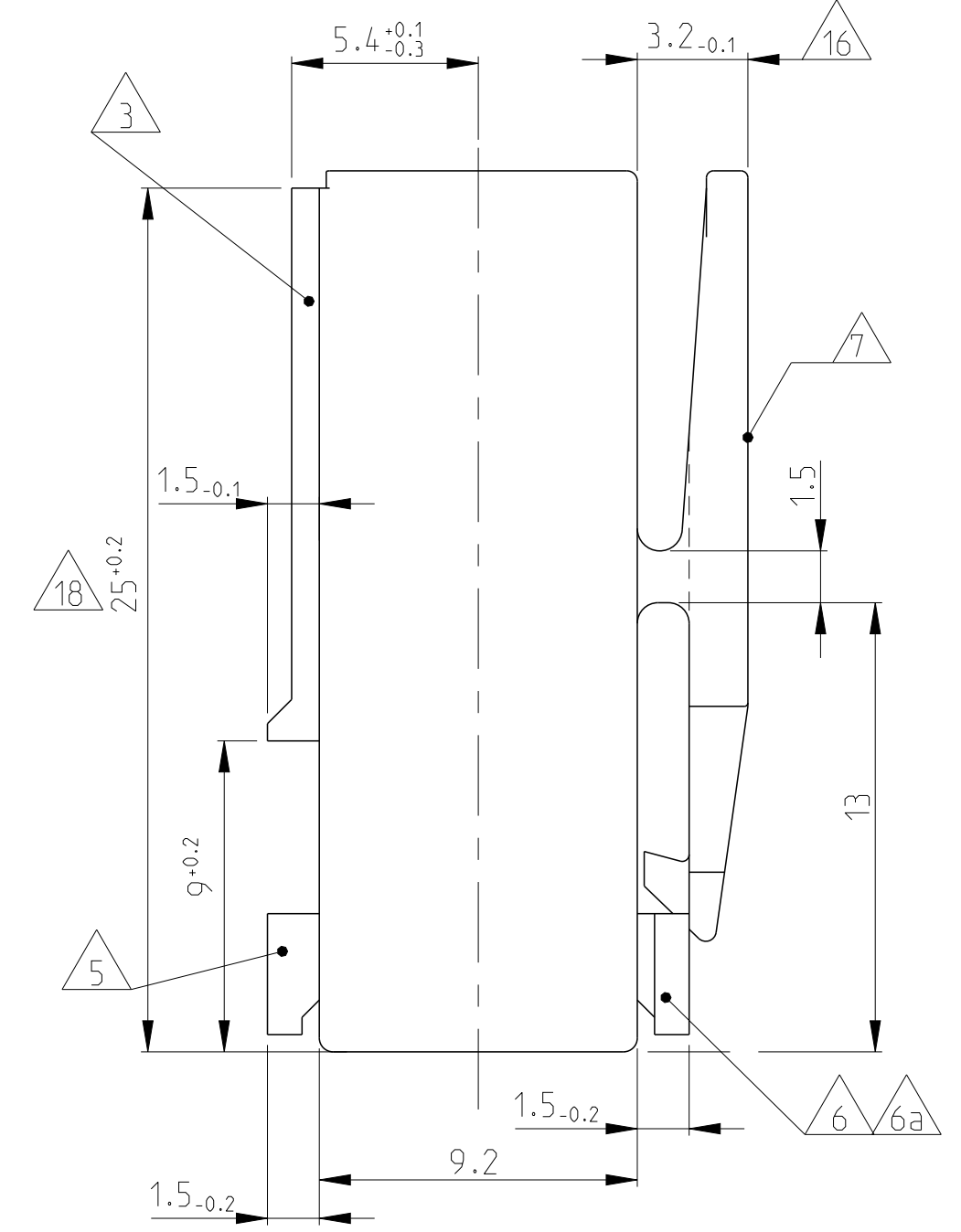
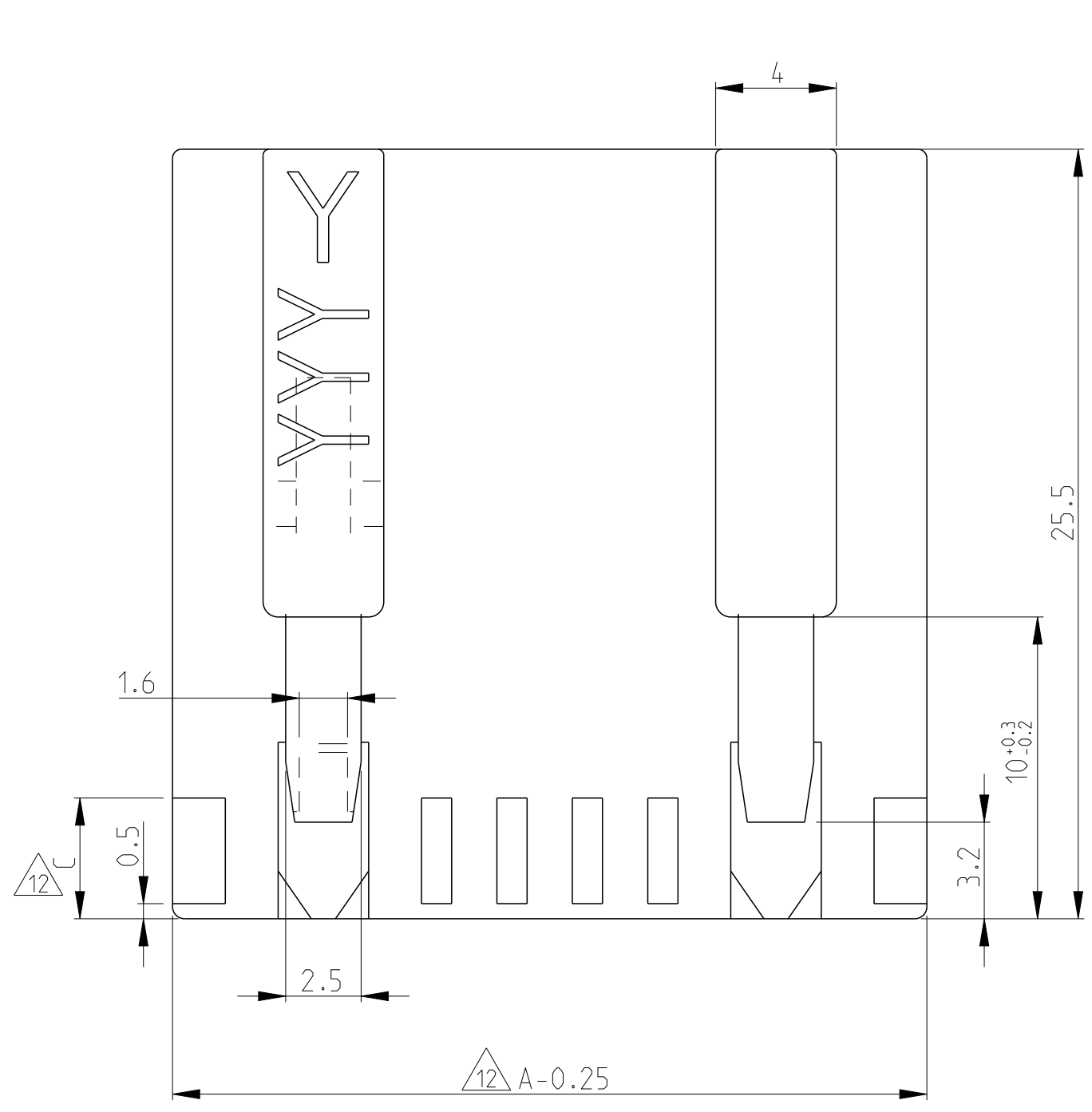
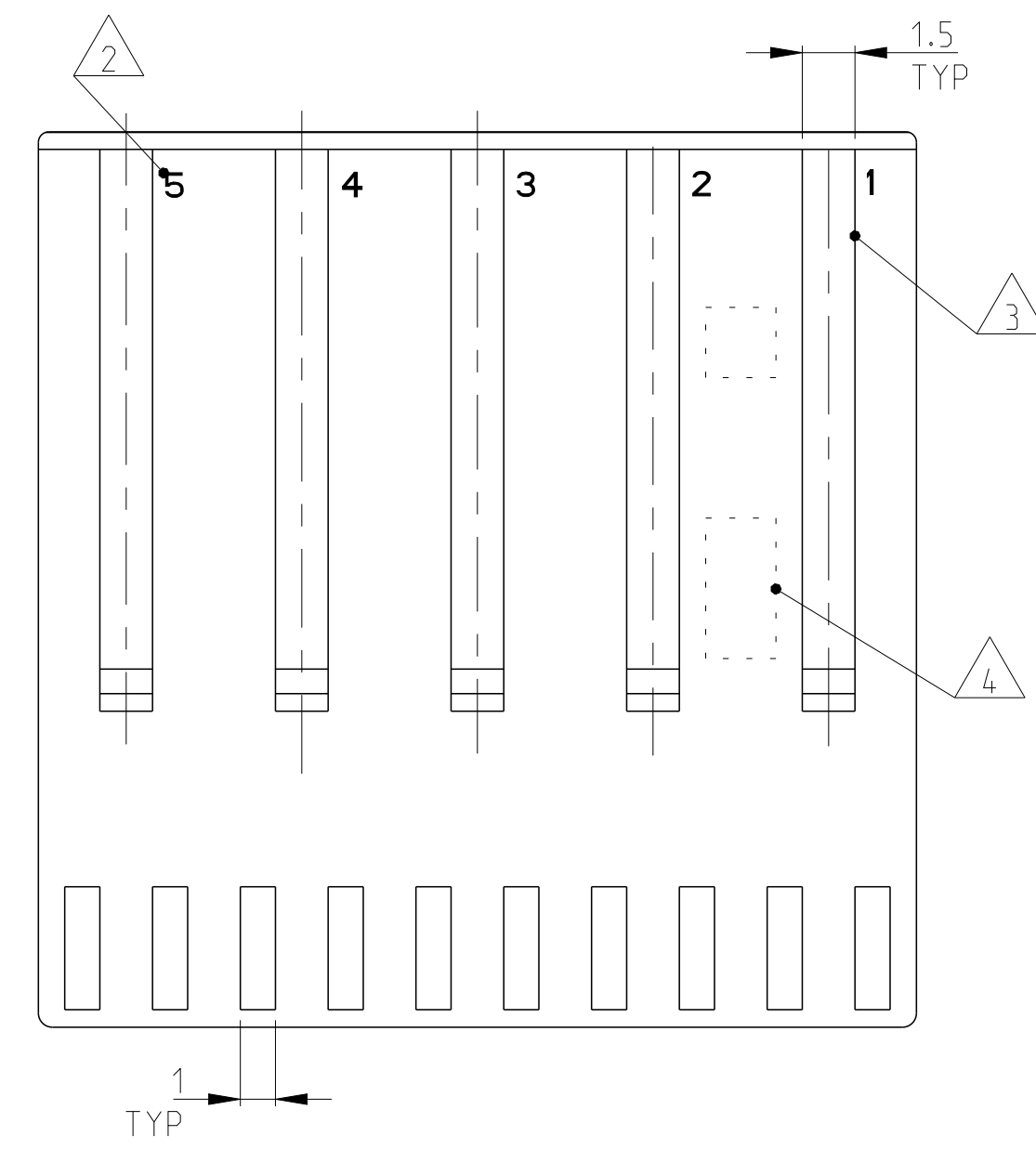
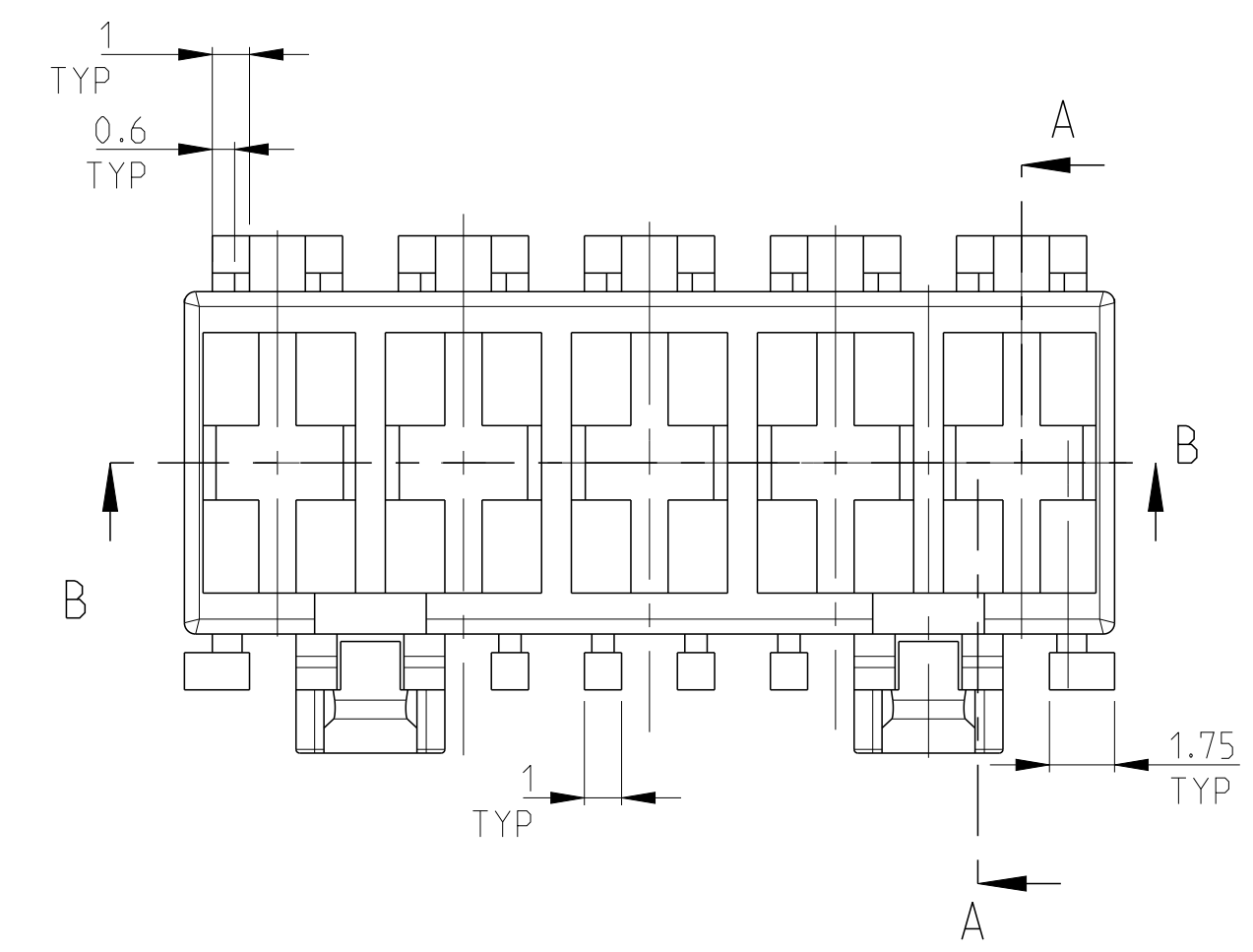


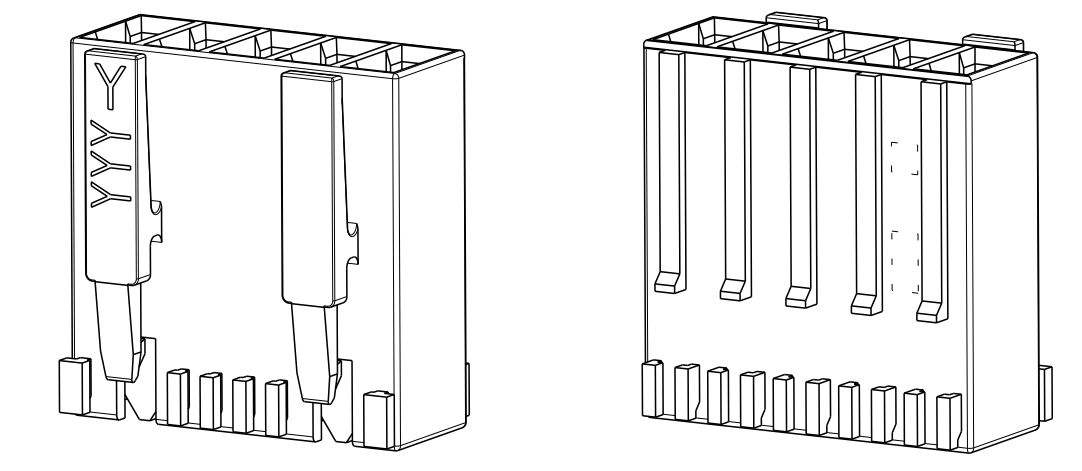
REVISONS		DATE	OWN	APVD
E7	ECR-21-121619	06DEC2021	PJ	FL
E8	ECR-23-183576	08SEP2023	DC	FL
E9	REVISED PER ECR-24-199015	11MAR2024	AK	FL
E10	ECR-24-214096	09JUL2024	TL	FL



**REMARKS/Bemerkungen**

- 1 CAVITY SUITABLE FOR STANDARD TIMER CONTACTS LISTED IN PROD.SPEC. 108-18049, ITEM 3.3.2  
Kammer geeignet für Standard Timer Kontakte gelistet in Prod. Spec. 108-18049, Punkt 3.3.2
- 2 CONTACT CAVITY NO.  
Kontaktkammernummerierung
- 3 MATING STOP  
Tiefenanschlag
- 4 AREA FOR TE LOGO ACC: TO SPEC 202-36  
Bereich für TE Logo nach Spec. 202-36
- 5 POLARIZATION RIB POSITION "a" AND/OR "b"  
Polarisierungsrippe Position "a" und/oder "b"
- 6 KEYING RIB POSITION "c" AND/OR "d"  
Kodierrippe Position "c" und/oder "d"
- 6a KEYING RIB POSITION "c" AND/OR "d" AT THE END WALLS OF THE HOUSING  
Kodierrippe Position "c" und/oder "d" an den Gehäuseeinseiten
- 7 LOCKING LATCH  
Rasthaken
- 8 TE PART NO (PN)  
TE Bestell Nr. (PN)
- 9 DESIGN OF THE HOUSINGS ACC: TO RAST 5 STANDARD  
Gehäuseausführung gemäß RAST 5 Vorgabe
- 10 GENERAL SUITABLE TAB HEADER SEE RAST 5 PERFORMANCE  
Generell passende Flachsteckerwanne siehe RAST 5 Vorgabe
- 11 PACKAGING: BULK PACKAGING IN CORRUGATED BOX PN 740580-2  
2 POS. 2500 PIECES PER BOX / 3 POS. 2000 PIECES PER BOX  
Verpackung: Schüttgut in Versandkarton Pn 740580-2  
2pol. 2500 Stück per Karton / 3pol. 2000 Stück per Karton
- 12 DIMENSION A, B C AND D SEE SHEET 2 OF 3
- 13 MATERIAL CORRESPONDS TO THE REQUIREMENT EN 60335  
(INCL. GLOW WIRE TEST 750° WITHOUT FLAME)  
Material entspricht den Anforderungen der EN 60335  
(inkl. Glühdrahtfest 750° ohne Flamme)
- 14 OPTIONAL RATIO NUMBER OF THE KEYING VERSION, MOLDED OR INKJET PRINTED. SEE SHEET 2  
Optionale Kodierungskennnummer, mit Tintenstrahldrucker aufgebracht oder spritzgegossen, siehe Blatt 2
- 15 PRELIMINARY- NOT RELEASED FOR PRODUCTION
- 16 ONLY FOR 9-1241961-7, DIMENSION 3.2 ±0.2
- 17 DOUBLE SOURCE RESIN: ALTERNATIVE RESIN UNDER APPROVAL
- 18 ALLOWED 25±0.2 FOR P/Ns X-2364739-X.
- 19 ONLY FOR 8-1241961-7, SPECIAL VERSION WITH RIBS ON SURFACE AND ENHANCED LATCH

5 POSITION  
STD. TIMER MARK-II HOUSING



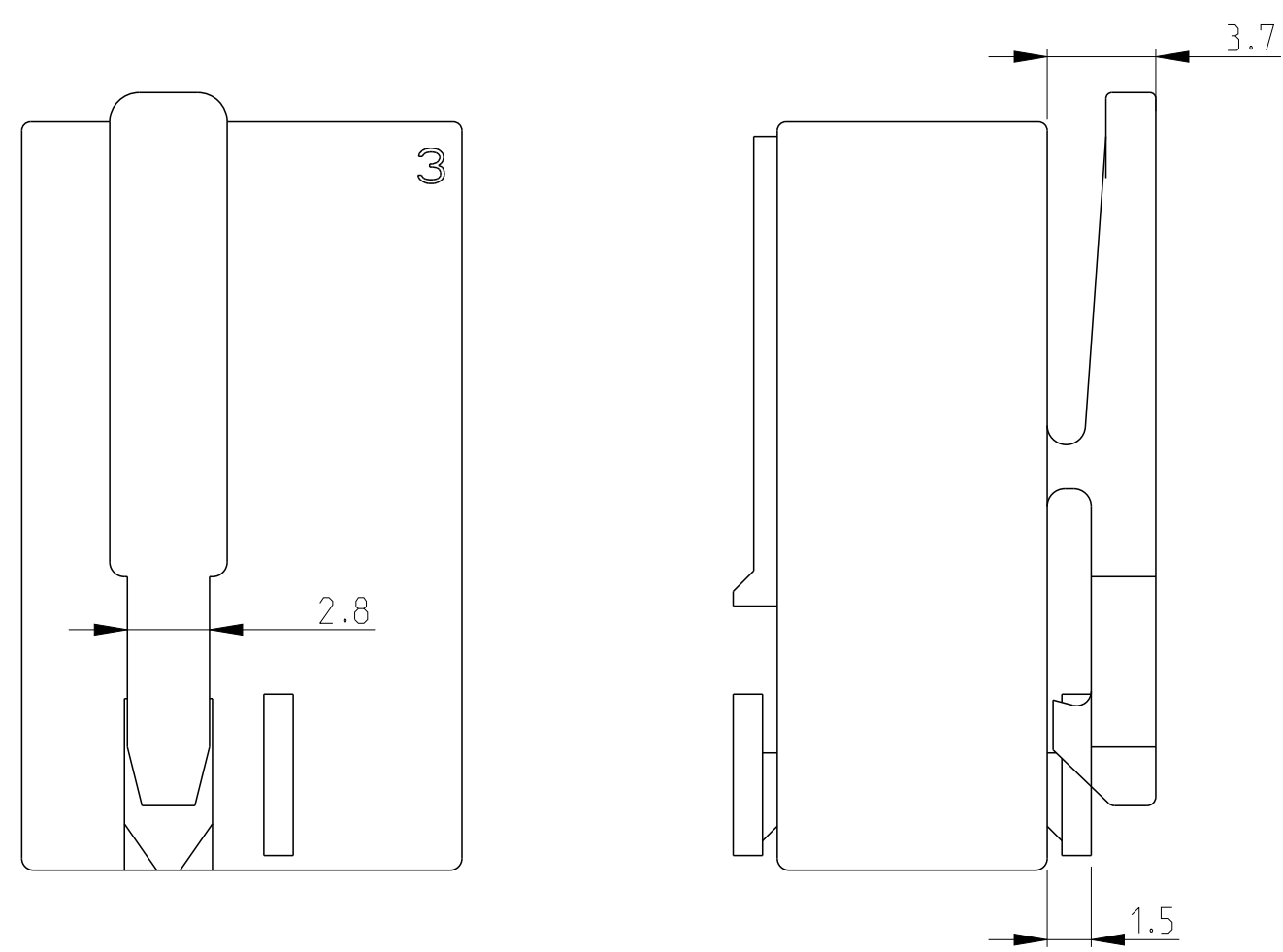
SCALE 2:1

SECTION A-A / Schnitt A-A

SECTION B-B / Schnitt B-B

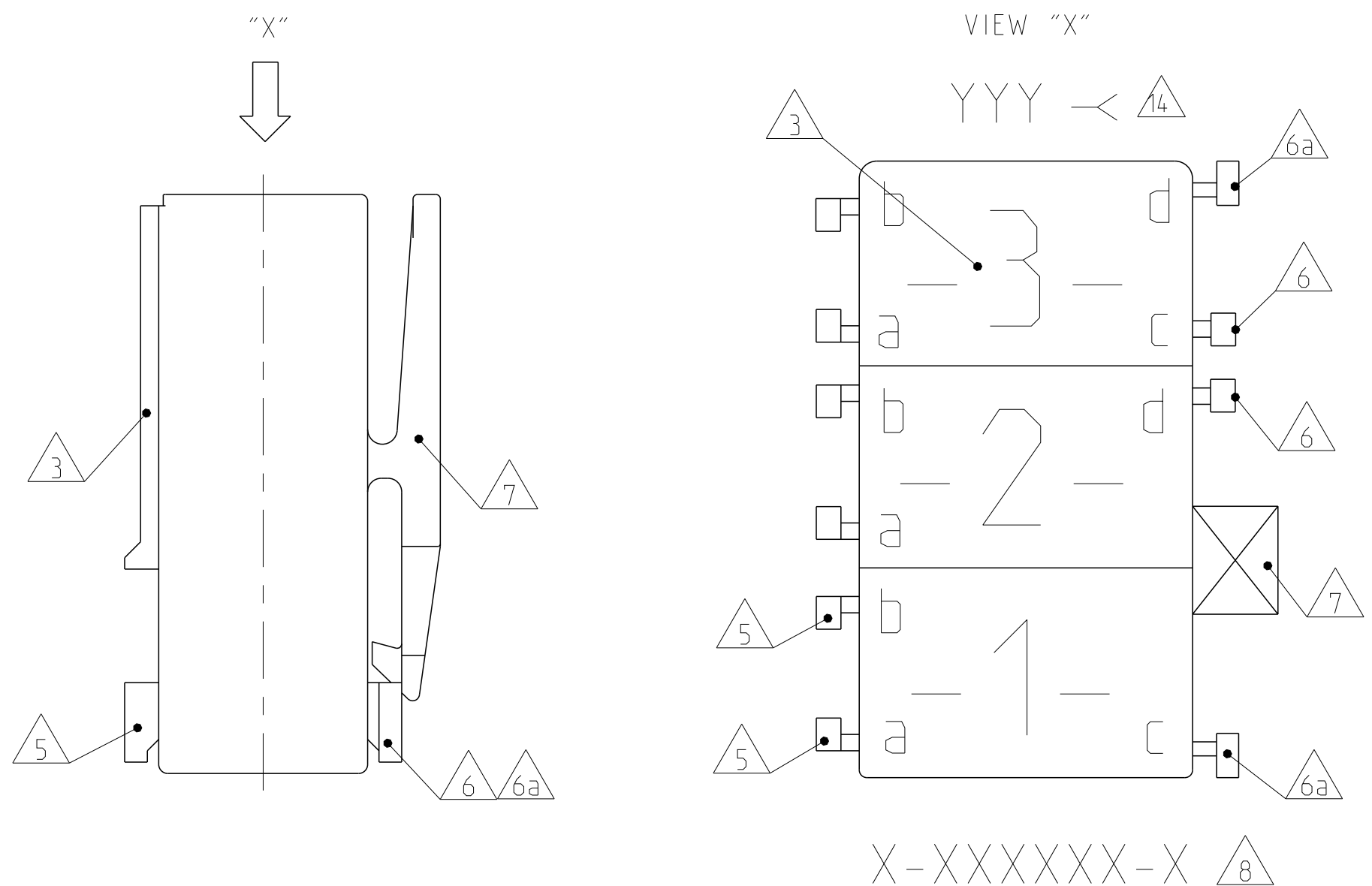
THIS DRAWING IS A CONTROLLED DOCUMENT.		OWN: Kishor M. 18-10-07	TE Connectivity	
DIMENSIONS: mm		CHK: K.Mundz 18-10-07	APVD: T.Klanner 18-10-07	
TOLERANCES UNLESS OTHERWISE SPECIFIED:		NAME: STANDARD TIMER HSG. RAST 5 MARK II Standard Timer Gehäuse RAST 5 Mark II		
0 PLC ±0.2	1 PLC ±0.2	PRODUCT SPEC: 108-18049-1		
2 PLC ±0.2	3 PLC ±0.2	APPLICATION SPEC:		
4 PLC ±0.2	5 PLC ±0.2	SIZE: A1		
ANGLES: ±°	FINISH: -	WEIGHT: -	CAGE CODE: 00779	DRAWING NO: 1241961
MATERIAL: SEE TABLES, SHEETS PAGE 2 AND 3 OF 4		Customer Drawing		RESTRICTED TO: -
		SCALE: 5:1	SHEET: 1 OF 4	REV: E10

ONLY 5-1241961-7, 1-1241961-9, 7-1241961-7, 2345753-1, 2-2178571-3



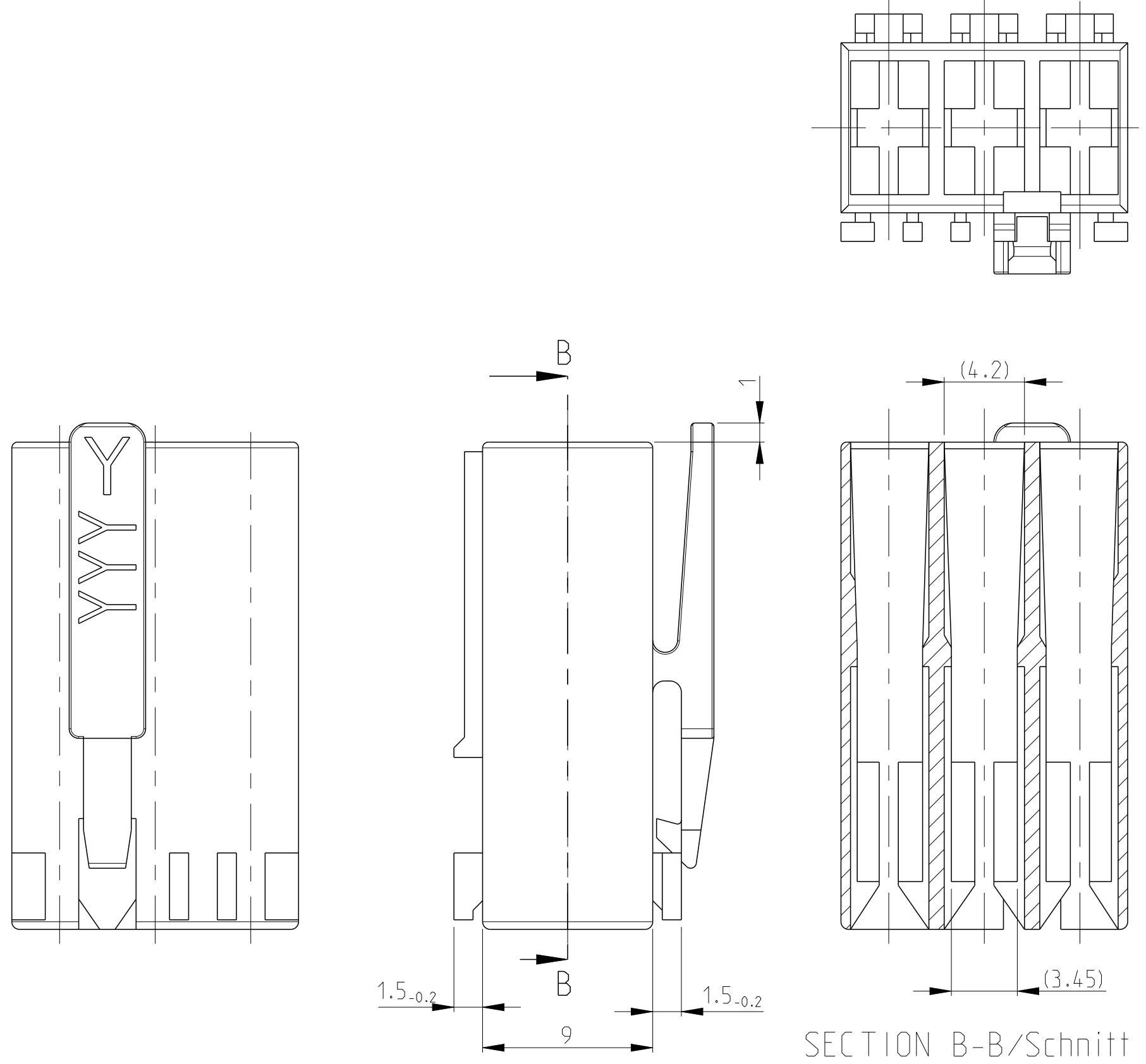
ALL OTHER DIMENSIONS SEE SHEET 1 OF 3

KEY LAYOUT DESCRIPTION



DIFFERENT CAVITY GEOMETRY AND LOCKING LATCH OVERHANG (OPTIONAL)

FOR 2 POS. AND 3 POS.



ALL OTHER DIMENSIONS SEE SHEET 1 OF 3  
Alle anderen Masse siehe Seite 1 von 3

SPECIAL MATERIAL: UL94 V0								
2345753-1	3	6	1	15	10	PA66	NATURAL	C

SPECIAL MATERIAL								
1955507-4	4	6	1	20	15	PA66	NATURAL	1
9-1955506-2	2	6	1	10	5	UL 94 V0	NATURAL	1

PART NO	POS.	DIM C	DIM D	DIM A	DIM B	MATERIAL	COLOUR Farbe	REV./Rev.
6-1241961-7	3			15	10	PA 6 UL94V-2	NATURAL	1
4-1241961-7	3			15	10	PA 6 UL94V-2	NATURAL	A
3-1241961-7	3	4	0.5	15	10	PA 6 UL94V-2	NATURAL	A
1-1955422-7	3			15	10	PA 66 UNFILLED UL94 V0	NATURAL	A
5-1955422-7	3			15	10	PA 66 UNFILLED UL94 V0	NATURAL	A
4-1955422-3	2	6	1	10	5	PA 66 UNFILLED UL94 V0	NATURAL	A
2-1241817-3	3	4 or 6	0.5 or 1	15	10	PA 66 UNFILLED UL94 V-2	Green	E
0-1955422-6	3			15	10	PA 66 UNFILLED UL94 V0	NATURAL	A
8-1241961-8	3			15	10	PA 6 UL94V-2	natural	C
0-1241961-8	3			15	10			
8-1241961-3	2	4	0.5	10	5	PA 6 UL94V-2	NATURAL	C
3-1241961-1	2			10	5			
0-1955422-1	2			10	5	PA 66 UNFILLED UL94 V0	NATURAL	A

SPECIAL VERSION: UL94 V0 & GWT 750NF							
2178571-3	4			20	15	PA 66, UL94 V-0	NATURAL
2178571-1	3			15	10	PA 66, UL94 V-0	NATURAL
2178571-2	2			10	5	PA 66, UL94 V-0	NATURAL
3-2178571-3	3	4	1	15	10	PA 66, UL94 V-0	NATURAL
2-2178571-3	3			15	10	PA 66, UL94 V-0	NATURAL
1-2178571-3	3			15	10	PA 66, UL94 V-0	NATURAL

LOC	DIST	REVISIONS			
P	LTN	DESCRIPTION	DATE	DMN	APVD
SEE SHEET-01					

PART NO	POS.	DIM C	DIM D	DIM A	DIM B	MATERIAL	COLOUR	REV
0-1241959-5	5			25	20	PA 6 UL94V-2	Natural/natur	B
4-1241959-4	4	4	0.5	20	15			A
2-1241959-4	4			20	15			B
2-1241817-5	5	6	1	25	20	PA 6.6 UL94V-2	Natural/natur Black/schwarz Violet/violett Grey/grau	C
0-1241817-5	4	0.5		25	20			
3-1241817-4	4			20	15			
2-1241817-4	4	6	1	20	15			
0-1241817-4	4	4	0.5	20	15	PA 6 UL94V-2	Green/grün Violet/violett TARGET RAL 4001 Yellow/gelb Black/schwarz Blue/blau Red/rot	C
2-1241983-2				10	5			
1-1241983-2				10	5			
0-1241983-2	2	4	0.5	10	5			
8-1241983-2				10	5			
5-1241983-3				10	5			
6-1241983-2				10	5			
9-1241961-7	3	4	0.5	15	10	PA 6 UL94V-2	Natural/natur	C
9-1241961-8				15	10			
6-1241961-8				15	10			
5-1241961-8		4 or 6	0.5 or 1	15	10			
4-1241961-8		4	0.5	15	10			
7-1241961-8		4	0.5	15	10			
1-1241961-8		4 or 6	0.5 or 1	15	10			
3-1241961-8		6	1	15	10			
2-1241961-8				15	10			
2-1241961-7				15	10			
1-1241961-7		4	0.5	15	10			
9-1241961-9				15	10			
0-1241961-6				15	10			
3-1241961-3				10	5			
2-1241961-2				10	5			
5-1241961-2				10	5			
4-1241961-3				10	5			
7-1241961-2				10	5			
7-1241961-3				10	5			
6-1241961-3				10	5			
3-1241961-2	2	4	0.5	10	5			
5-1241961-3				10	5			
6-1241961-2				10	5			
0-1241961-3				10	5			
8-1241961-2				10	5			
9-1241961-2				10	5			
0-1241961-1				10	5			
9-969484-9	3	6	1	15	10	PA 6.6 UL94V-2	Yellow/gelb	H
2-969484-8				15	10			
4-969484-8		4 or 6	0.5 or 1	15	10			
0-969484-8				15	10			
9-969484-7				15	10			
8-969484-7		4	0.5	15	10			
7-969484-7				15	10			
6-969484-7				15	10			
5-969484-7		4	0.5	15	10			
4-969484-7				15	10			
3-969484-7		4	0.5	15	10			
2-969484-7		4	0.5	15	10			
1-969484-7	3	4	0.5	15	10			
0-969484-7				15	10			
9-969484-6		6	1	15	10			
8-969484-6				15	10			
7-969484-6				15	10			
6-969484-6				15	10			
5-969484-6				15	10			
4-969484-6				15	10			
3-969484-6		6	1	15	10			
2-969484-6				15	10			
1-969484-6				15	10			
0-969484-6				15	10			
9-969484-3				10	5	PA 6.6 UL94V-2	Natural/natur	H
7-969484-3				10	5			
6-969484-3		4	0.5	10	5			
5-969484-3				10	5			
4-969484-3				10	5			
3-969484-3				10	5			
2-969484-3				10	5			
1-969484-3				10	5			
0-969484-3				10	5			
9-969484-2				10	5			
8-969484-2				10	5			
7-969484-2				10	5			
6-969484-2		4	0.5	10	5			
5-969484-2				10	5			
4-969484-2				10	5			
3-969484-2				10	5			
2-969484-2				10	5			
1-969484-2				10	5			
0-969484-2				10	5			
9-969484-1				10	5	PA 6.6 UL94V-2	Natural/natur	H
8-969484-1				10	5			
7-969484-1				10	5			
6-969484-1		4	0.5	10	5			
5-969484-1				10	5			
4-969484-1				10	5			
3-969484-1				10	5			
2-969484-1		4	0.5	10	5			
1-969484-1				10	5			
0-969484-1				10	5			

THIS DRAWING IS A CONTROLLED DOCUMENT. DWG: Kishor M. 18-10-07  
CHK: K.Mundz. 18-10-07

DIMENSIONS: mm. TOLERANCES UNLESS OTHERWISE SPECIFIED: 0 PLC ±0.2, 1 PLC ±0.2, 2 PLC ±0.2, 3 PLC ±0.2, 4 PLC ±, ANGLES FINISH ±\*

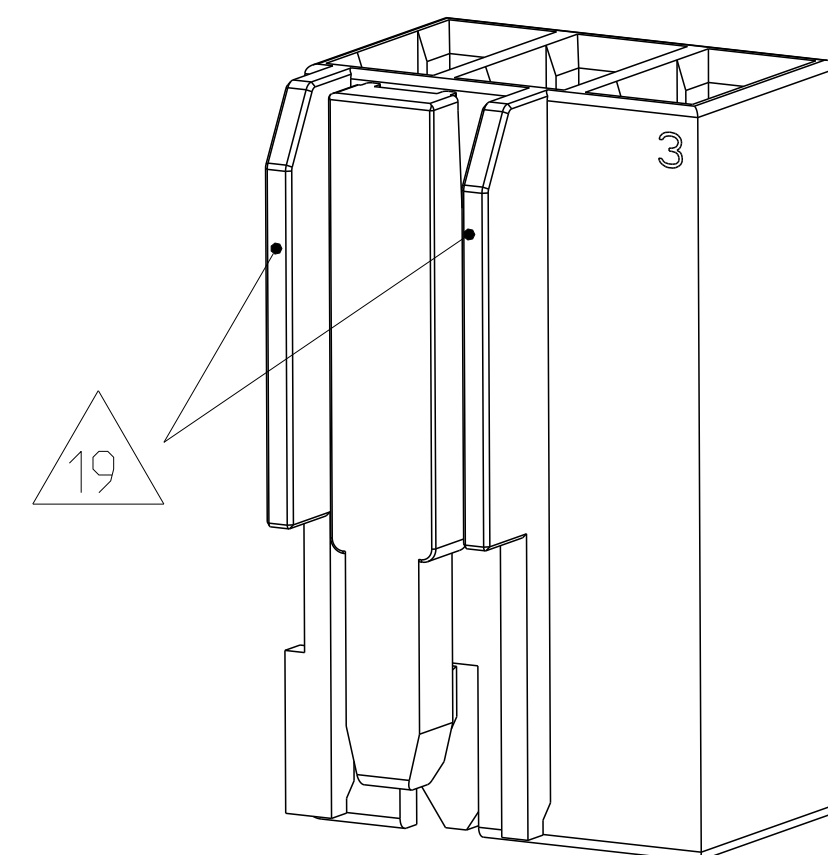
MATERIAL: SEE TABLES, SHEETS PAGE 2 AND 3 OF 4. WEIGHT: -

Customer Drawing

STANDARD TIMER HSG. RAST 5 MARK II  
Standard Timer Gehäuse RAST 5 Mark II

SIZE: A1. CAGE CODE: 00779. DRAWING NO: 1241961. RESTRICTED TO: -

SCALE: 5:1. SHEET: 2 OF 4. REV: E10



SPECIAL VERSION: UL94 V0 & GWEPT 750°C NF									
2364739-5	5			25	20			BLUE	C
2364739-4	4			20	15			BLUE	C
1-2364739-3	3			15	10			BLUE	C
2364739-3	3			15	10			BLUE	C
1-2364739-2	2	4	0.5	10	5		PA66	BLUE	C
2364739-2	2			10	5			BLUE	C
3-2364739-2	2			10	5			BLUE	C
2-2364739-2	2			10	5			BLUE	C

SPECIAL VERSION: UL94 V0 & GWT 750 NF & CTI 350									
8-1241961-7	3			15	10			NATURAL	-
5-1241961-7	3	6	1	15	10		PA66	NATURAL	A
1-1241961-9	3			15	10			NATURAL	A
7-1241961-7	3			15	10			NATURAL	A

SPECIAL VERSION: UL94 V0 & GWT 750 NF									
2322164-1	4	4	0.5	20	15		PA66	NATURAL	1

SPECIAL VERSION: UL94 V2 & GWT 750 NF									
6-2178575-7	3	4	0.5	15	10		PA6 GF15	NATURAL	A

SPECIAL VERSION: UL94 V0 & GWT 750 NF									
3-2178412-7	3			15	10			NATURAL	1
4-2178412-7	3	6	1	15	10		PA66	NATURAL	1
8-2178412-2	2			10	5		UL94 V0 & GWT 750 NF	NATURAL	1

UL94 V0 & GWT 750 NF									
2322917-4	4	4	0.5	20	15			NATURAL	C
2322917-2	2			10	5			NATURAL	C
2315717-1	2			10	5			NATURAL	C
2315717-2	2			10	5			NATURAL	C
2315717-3	2			10	5			NATURAL	C
1-2315717-2	2			10	5			NATURAL	E
2-2315717-2	2	4	0.5	10	5		PA66	NATURAL	E
2315717-4	4			20	15			NATURAL	C
2315717-5	4			20	15			NATURAL	C
2315717-6	3			15	10			NATURAL	C
2315717-7	3			15	10			NATURAL	C
1-2315717-3	3			15	10			NATURAL	E
PART NO.	POS	DIM C	DIM D	DIM A	DIM B		MATERIAL	COLOUR	REV.

THIS DRAWING IS A CONTROLLED DOCUMENT.		DWN: K. Kishor M. 18-10-07	
DIMENSIONS: mm		CHK: K. MUNDZ 18-10-07	
TOLERANCES UNLESS OTHERWISE SPECIFIED:		APVD: T. Klanner 18-10-07	NAME: STANDARD TIMER HSG. RAST 5 MARK II
0 PLC ±0.2 1 PLC ±0.2 2 PLC ±0.2 3 PLC ±- 4 PLC ±- ANGLES ±- FINISH ±*		PRODUCT SPEC: 108-18049	Standard Timer Gehäuse RAST 5 Mark II
MATERIAL: SEE TABLES, SHEETS PAGE 2 AND 3 OF 4		WEIGHT: -	RESTRICTED TO: -
Customer Drawing		SCALE: 5:1	SHEET 3 OF 4

