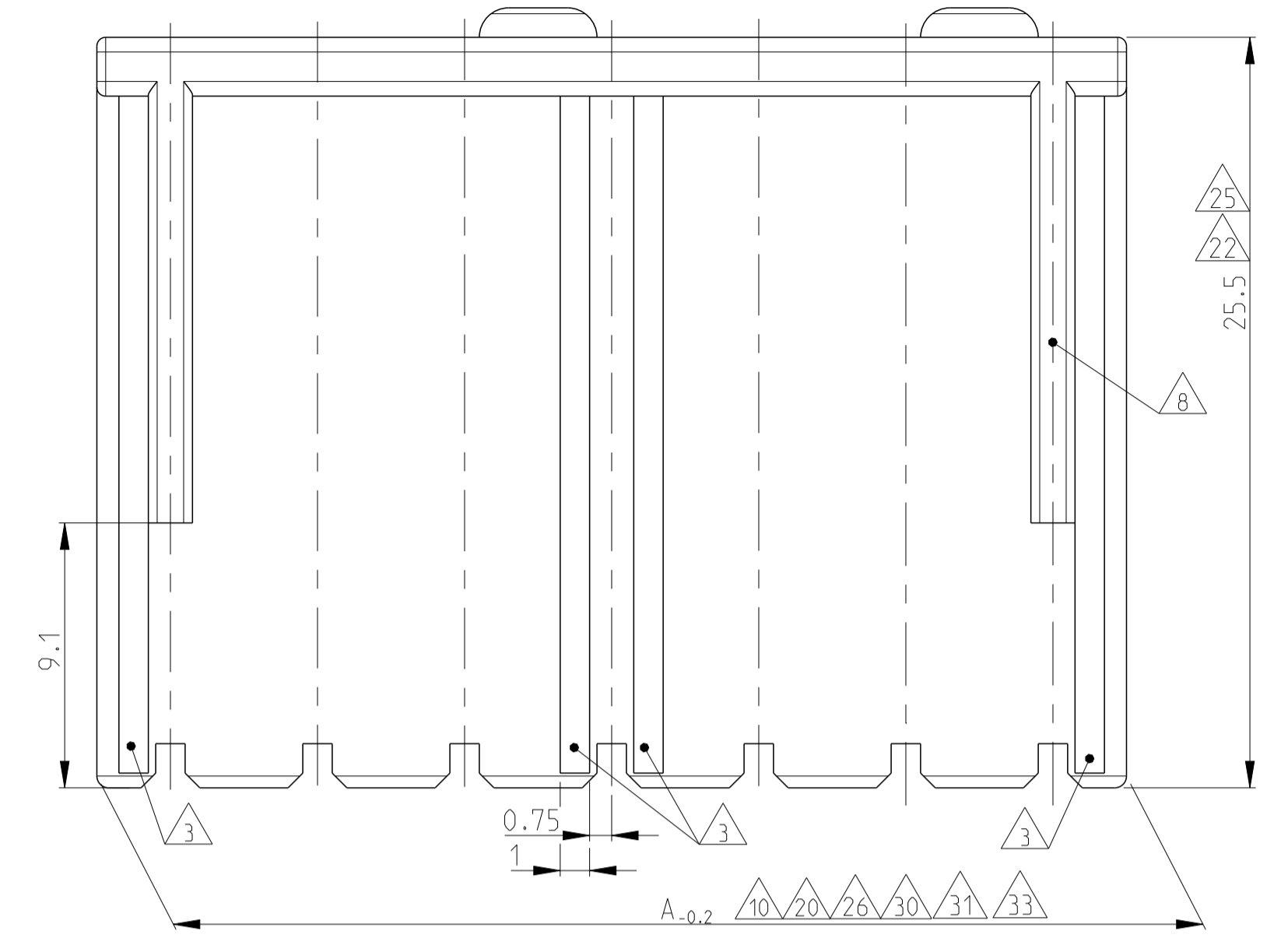
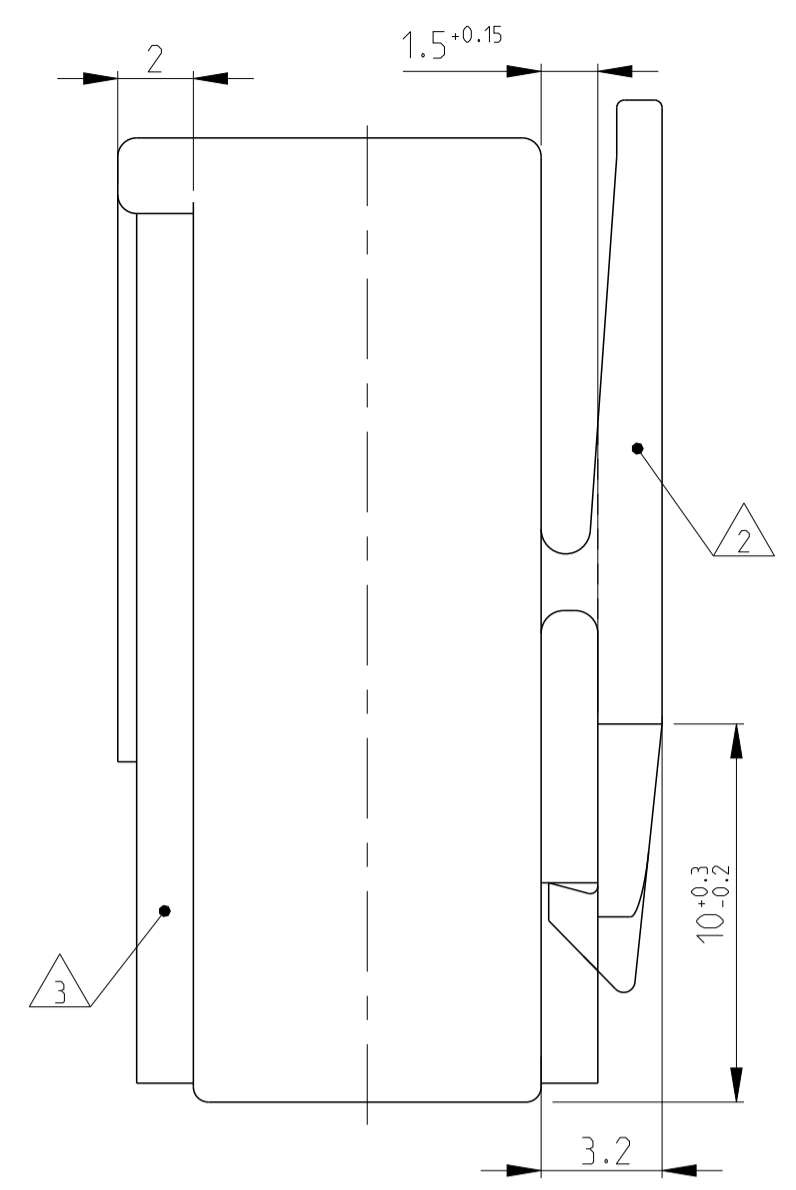
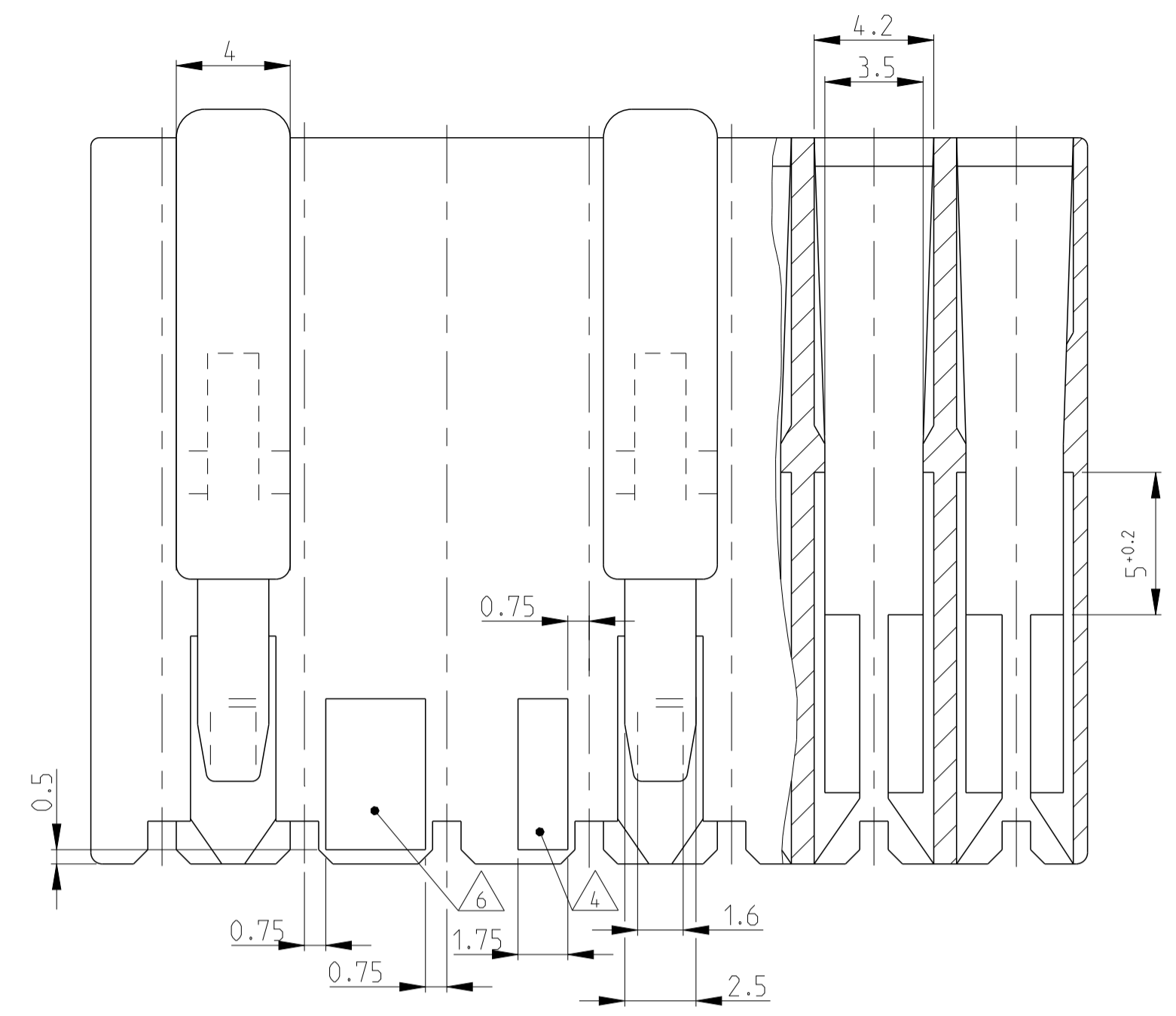
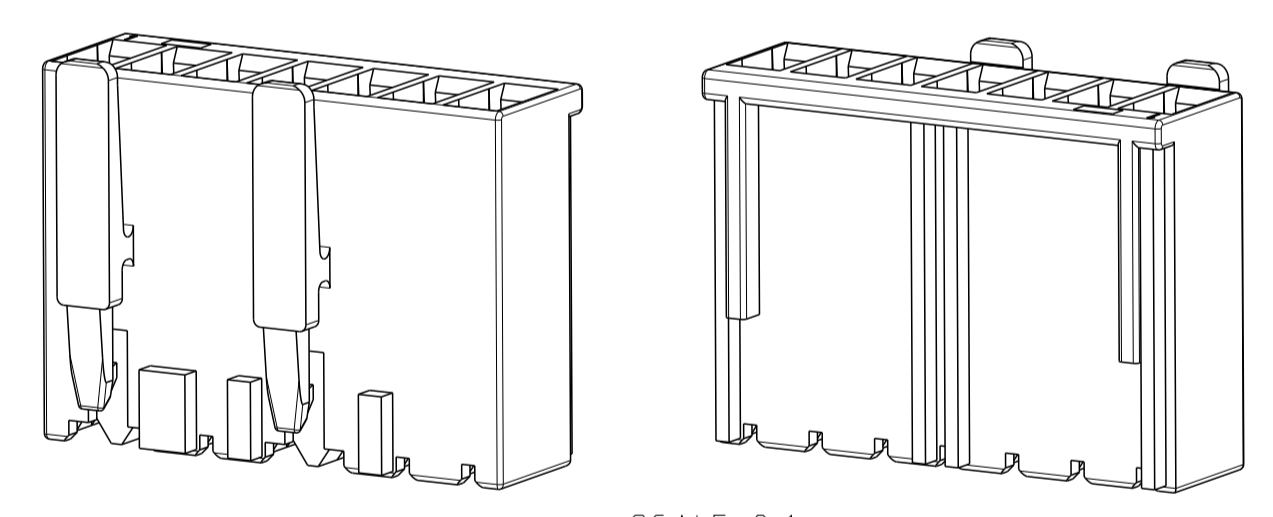
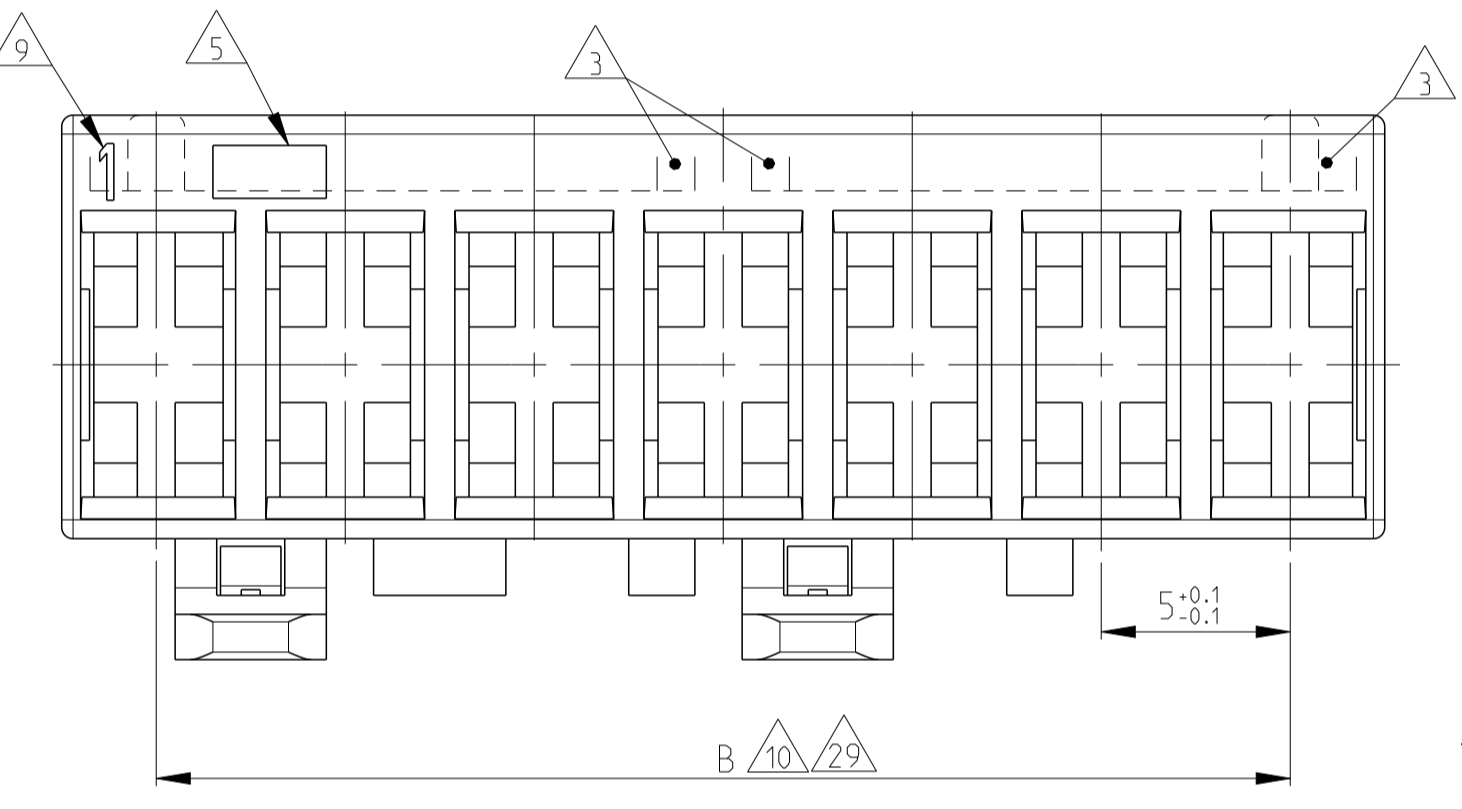
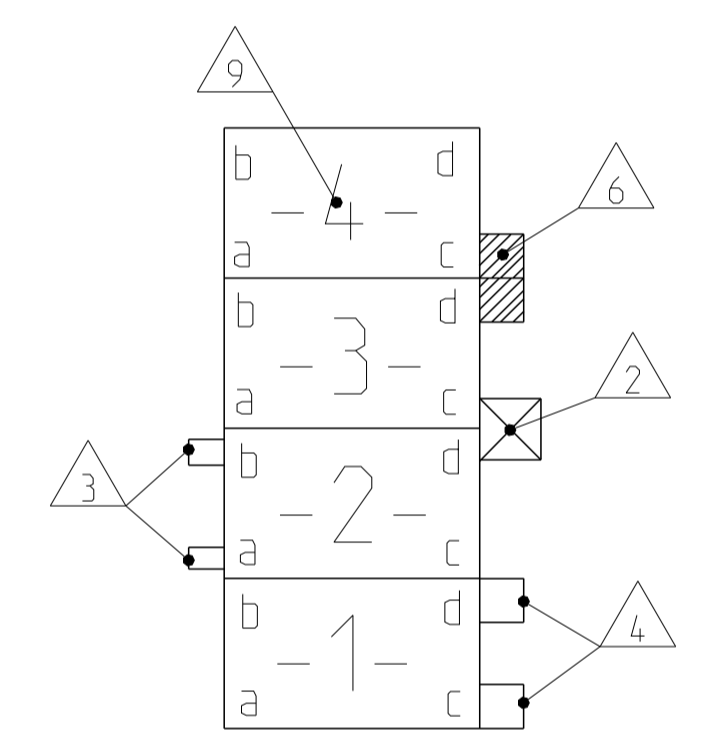
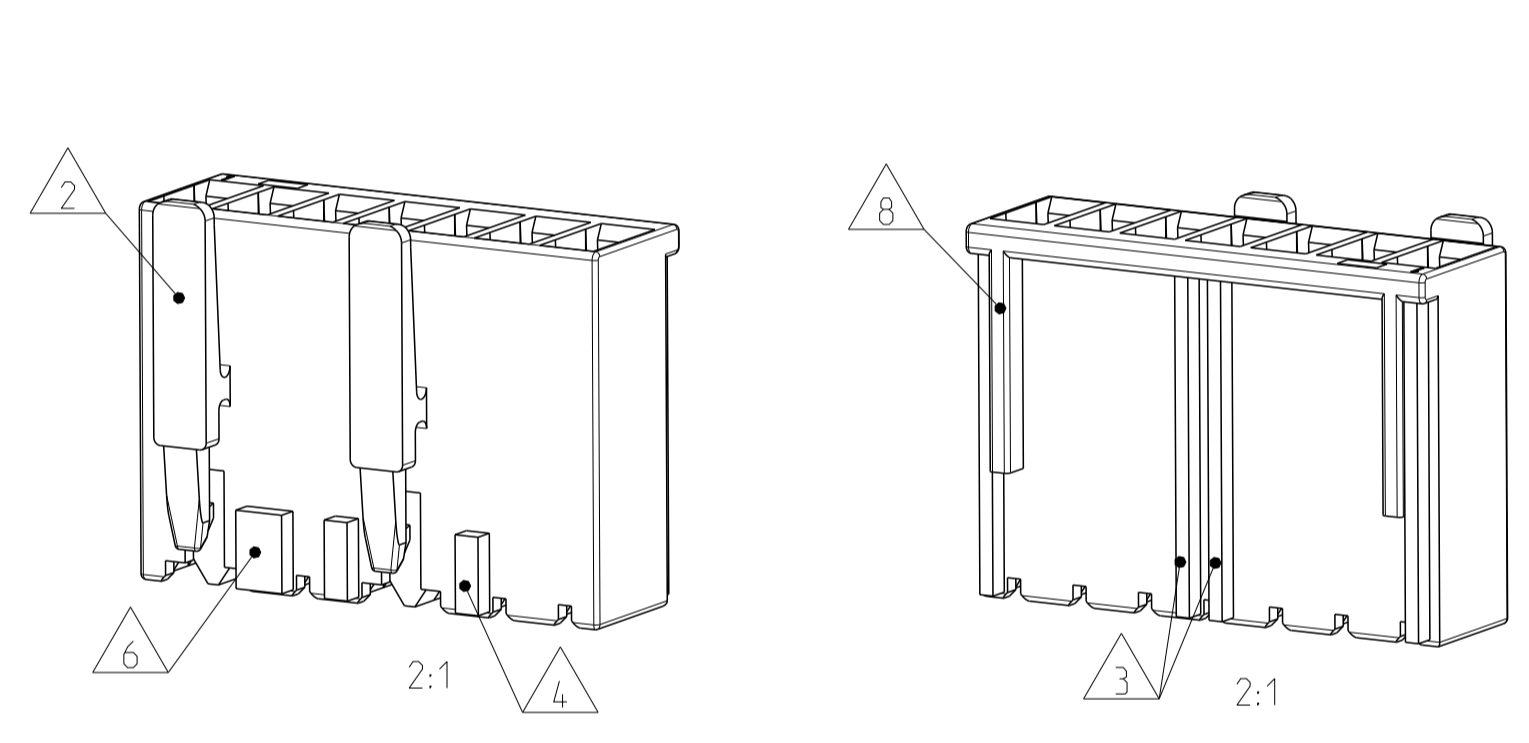


LOC	DIST	REVISIONS					
		P	LTN	DESCRIPTION	DATE	DMN	APVD
C1	-			ECR-22-137065	09APR2022	SM	FL
C2	-			ECR-22-158485	22NOV2022	SM	FL
C3	-			ECR-24-198530	30JAN2024	AK	W W
C4	-			ECR-24-203270	22MAR2024	SM	FL



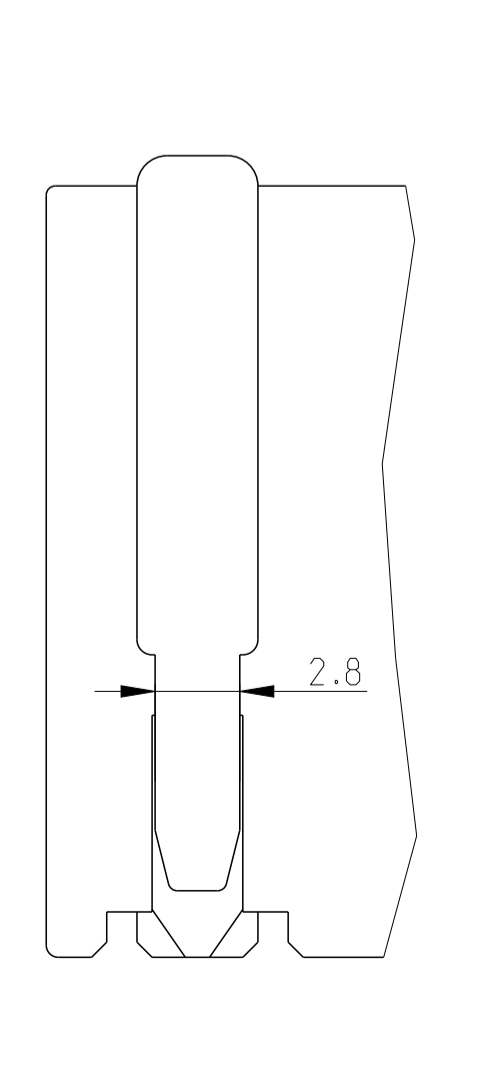
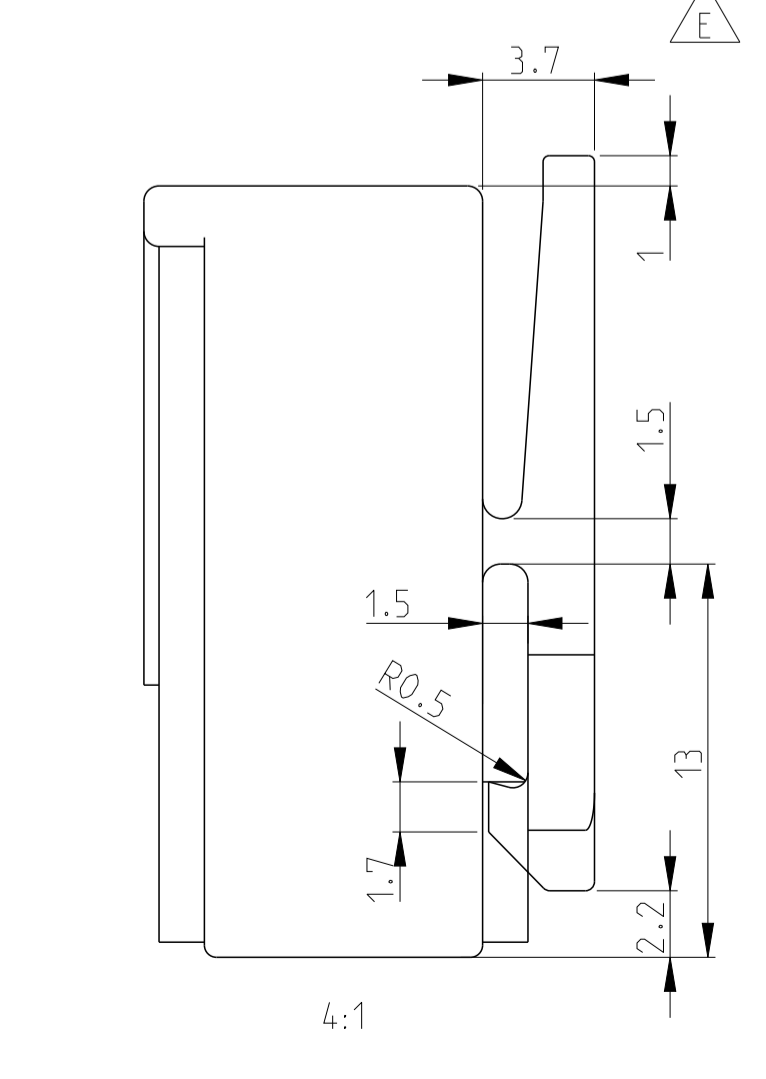
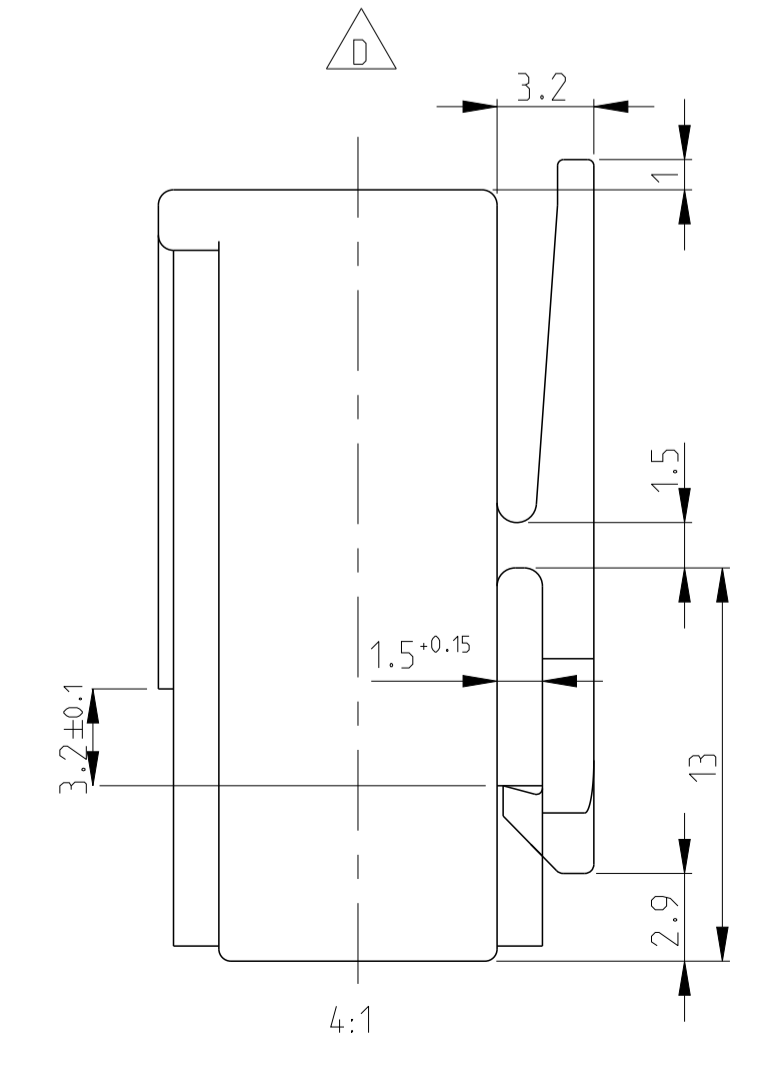
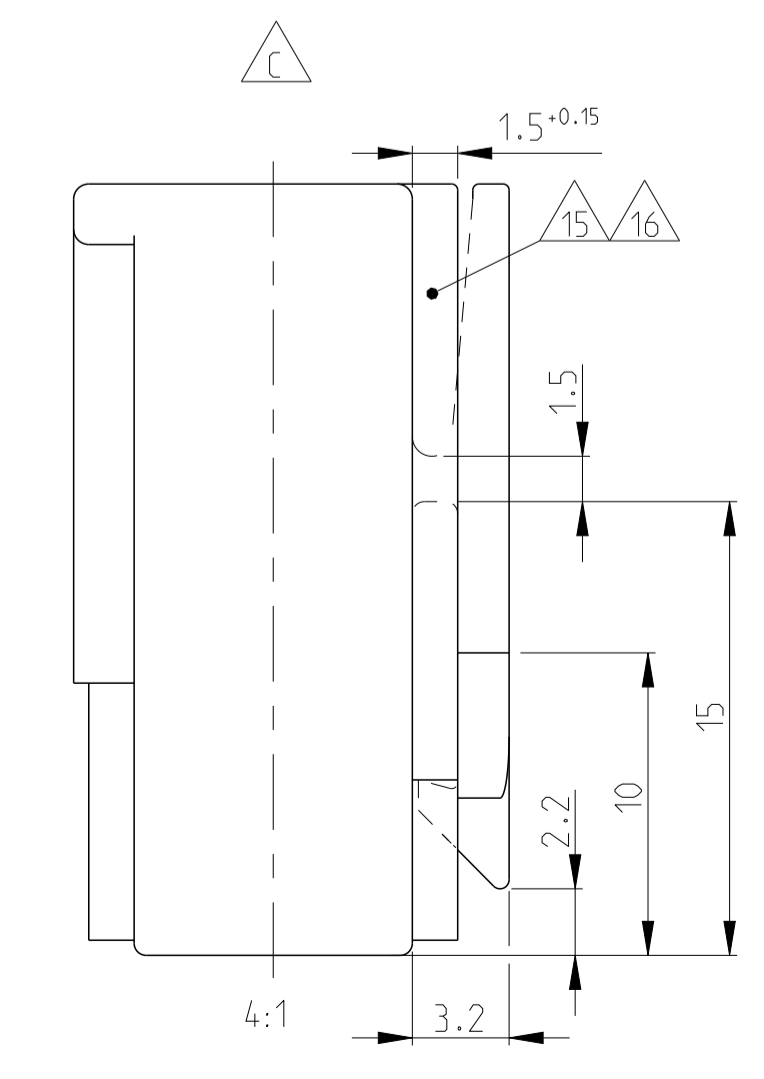
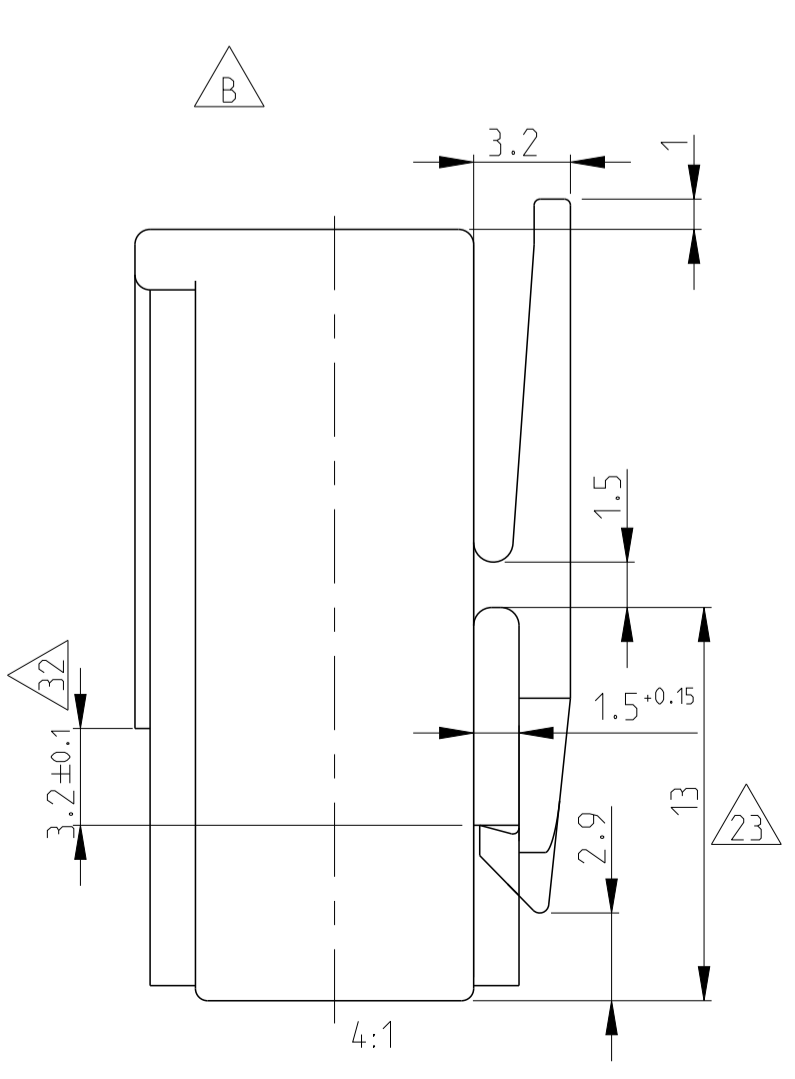
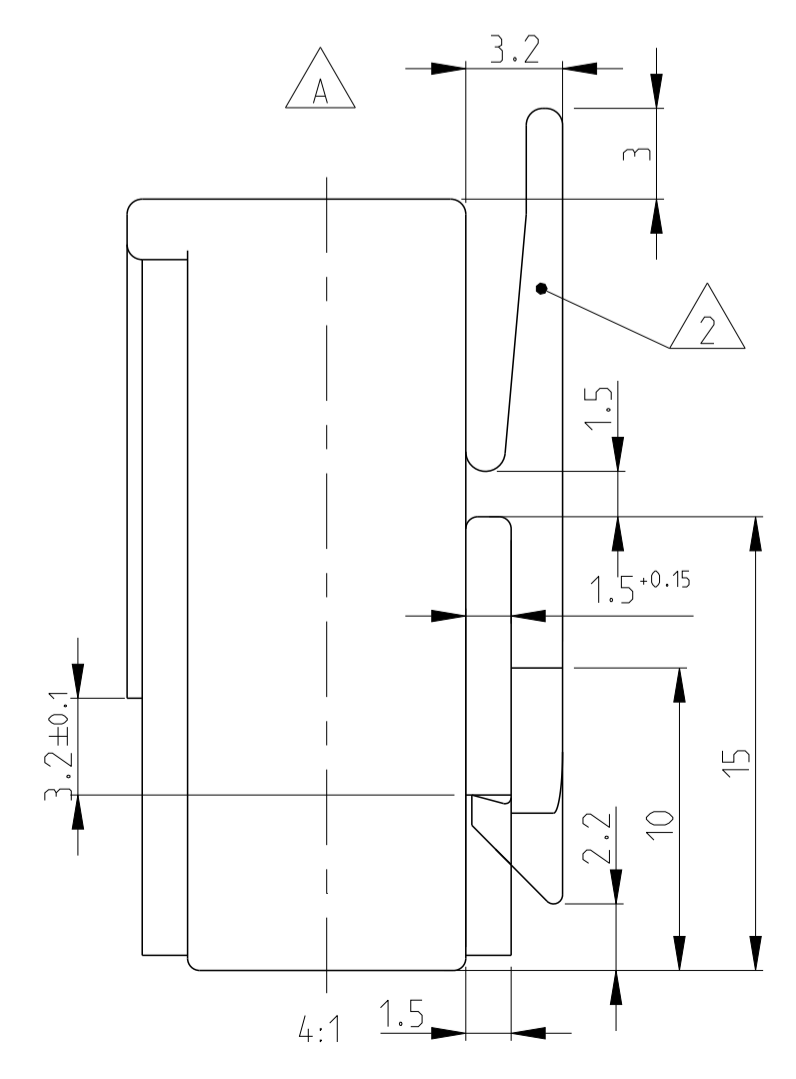
DESCRIPTION  
 POSITION OF THE KEYING RIBS, POLARISATION RIBS AND THE LOCKING LATCH



SCALE 2:1

ALL OTHER DIMENSIONS ARE SAME

PAY ATTENTION!  
 DIFFERENT LOCKING LATCHES



- 1 CAVITY SUITABLE TO STANDARD TIMER CONTACTS LISTED IN PROD: SPEC: 108-18049, ITEM 3.3.2  
Kammer geeignet für Standard Timer Kontakte gelistet in Prod. Spec. 108-18049, Punkt 3.3.2
- 2 LOCKING LATCH BETWEEN CAVITY NO. Rasthaken zwischen Kammernummer
- 3 POLARIZATION RIB POSITION "a" OR POSITION "b". AT CAVITY NO..  
Polarisierungsrippen (Lage "a") oder (Lage "b") versetzt bei Kammer Nr
- 4 KEYING RIB POSITION "c" OR POSITION "d". AT CAVITY NO..  
Kodierungsrippen nach unten (Lage "c") oder oben (Lage "d") versetzt bei Kammernummer
- 5 AREA FOR TE LOGO ACC. TO SPEC 202-36  
Bereich für TE Logo nach Spec. 202-36
- 6 WIDTH KEYING RIB BETWEEN CAVITY NO. Breite Kodierrippe zwischen Kammer Nr.
- 7 SUITABLE TO TAB 6.3x0.8mm AND 4.8x0.8mm ACCORDING TO DIN 46244  
Geeignet für Flachstecker 6.3x0.8mm und 4.8x0.8mm nach DIN 46244
- 8 MATING STOP BETWEEN CAVITY NO.1 AND 2, ALSO BETWEEN THE LAST AND THE LAST BUT ONE CAVITY  
Tiefenanschlag zwischen Kammer Nr.1 und 2, ebenfalls zwischen der letzten und vorletzten Kammer
- 9 CONTACT CAVITY NO. Kammernummer
- 10 DIMENSION A AND DIMENSION B SEE SHEET 2 OF 3  
Maß A und Maß B siehe Blatt 2 von 3
- 11 MATED WITH TE CONNECTOR: SEE TABLE, SHEET 2 OF 3  
Passender TE Gegenstecker: siehe Tabelle, Seite 2 von 3
- 12 GENERAL SUITABLE TAB HEADER HOUSING SEE RAST 5 PERFORMANCE  
Generell passende Flachsteckerwanne, siehe RAST 5 Vorgabe
- 13 CONNECTION TO THE PC BOARD SEE DRAWING 88-9935-4  
Leiterplattenanschluß siehe Zeichnung 88-9935-4
- A B SEE TABLE, SHEET 2 OF 3  
C D E Siehe Tabelle, Blatt 2 von 3
- 14 MATERIAL CORRESPONDS TO THE REQUIREMENT EN 60335 (INCL. GLOW WIRE TEST 750°C WITHOUT FLAME)
- 15 WIRE TANGLING PROTECTION
- 16 WIRE TANGLING PROTECTION IN COMBINATION WITH CODING RIBS, ONLY VALID FOR VERSIONS 5-964702-3, 0-964702-3, 0-964702-1
- 17 KEYING ACC. TO RAST-5 STANDARD; COLOUR IS DIFFERENT
- 18 8 POS. SPECIAL VERSION WITH SWAGED KEYING RIB
- 19 SPECIAL MATERIAL PA66/6, UL 94 V0
- 20 DIMENSION "A" IS ACCEPTED WITHIN TOLERANCE +0.05/-0.20.
- 21 PRELIMINARY PART- NOT YET RELEASED FOR PRODUCTION
- 22 ONLY FOR PN 2178600-2, 3-2178600-2, 4-2178600-2, 5-2178600-2, TOLERANCE IS +0.4 -0.2, WORST CASE CAN BE OUT OF RAST STANDARD.
- 23 ONLY FOR PN 2178600-2, 3-2178600-2, 4-2178600-2, 5-2178600-2, TOLERANCE IS +0.4 -0.2
- 24 ONLY FOR PN 2178600-2, 3-2178600-2, 4-2178600-2, 5-2178600-2, TOLERANCE IS ±4°
- 25 ONLY FOR PN 3-1241965-5, 3-1241965-7 TOLERANCE IS +0.3 -0.2
- 26 ONLY FOR PN 3-1241965-5, 3-1241965-7 TOLERANCE IS +0.2 -0.2
- 27 ONLY FOR PN 3-1241965-5, 3-1241965-7 TOLERANCE IS +0.05 -0.2
- 28 OBSOLETE PART
- 29 ONLY FOR 4-1241965-7, 1-2364737-1, TOLERANCE IS -0.3
- 30 ONLY FOR 4-1241965-7, TOLERANCE IS +0.2/-0.25
- 31 ONLY FOR 1-2178029-3, TOLERANCE IS +0.15/-0.2

THIS DRAWING IS A CONTROLLED DOCUMENT.		DMN: Kishor M 18JUL2017	
DIMENSIONS: mm		CHK: K. MUDZ 07-NOV-06	
TOLERANCES UNLESS OTHERWISE SPECIFIED:		APVD: In. Klenner 07-NOV-06	2-12 POS. STANDARD TIMER HSG WITH EXTERIOR LOCKING
1-PLC ±0.1 2-PLC ±0.1 3-PLC ±0.001 4-PLC ±0.001		NAME: In. Klenner	
MATERIAL: SEE TABLES		PRODUCT SPEC: 108-18049-1	SIZE: A1 CAGE CODE: 00779 DRAWING NO: ©=1241965 SHEET 1 OF 4 REV C4
FINISH: -		WEIGHT: -	
ANGLES: -		Customer Drawing	RESTRICTED TO: -
SCALE: 5:1		SCALE: 5:1	

ADDITIONAL NOTES SEE 3 OF SHEET 4




LOC	DIST	REVISIONS					
		P	LTN	DESCRIPTION	DATE	DMN	APVD
A1	-			SEE SHEET 1			

- △32 ONLY FOR 2322912-3. TOLERANCE IS +0.1/-0.15
- △33 ONLY FOR 2322912-6. 1-2364737-1. TOLERANCE IS -0.30
- △34 CANDIDATE PRELIMINARY P/N. NOT YET OFFICIAL. ONLY FOR DISCUSSION. NOT YET RELEASED FOR PRODUCTION
- △35 DOUBLE SOURCE RESIN: ALTERNATIVE RESIN UNDER APPROVAL
- △36 DOUBLE SOURCE RESIN PA66/6

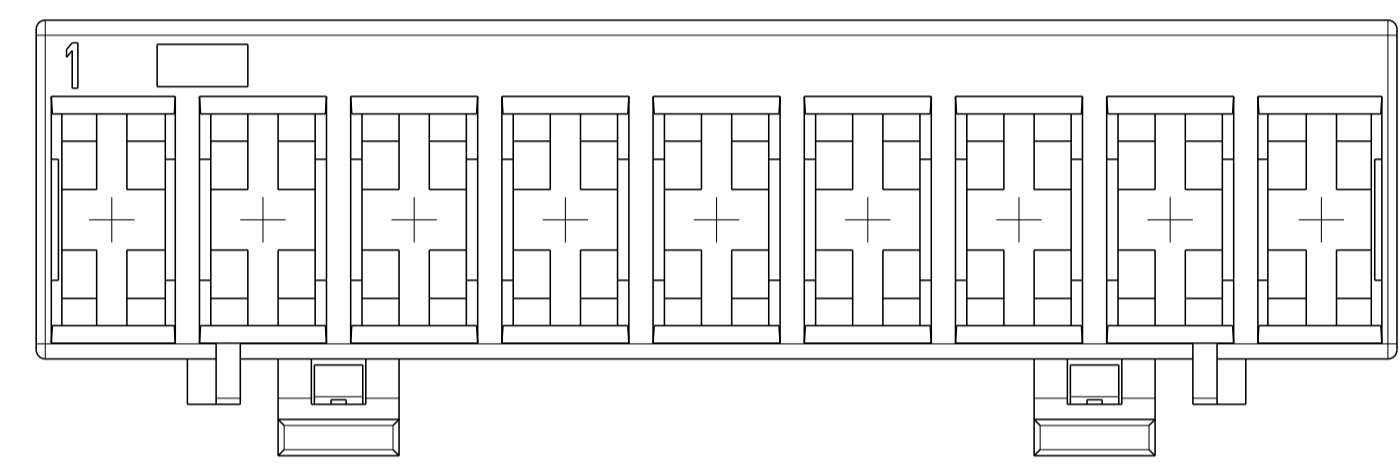
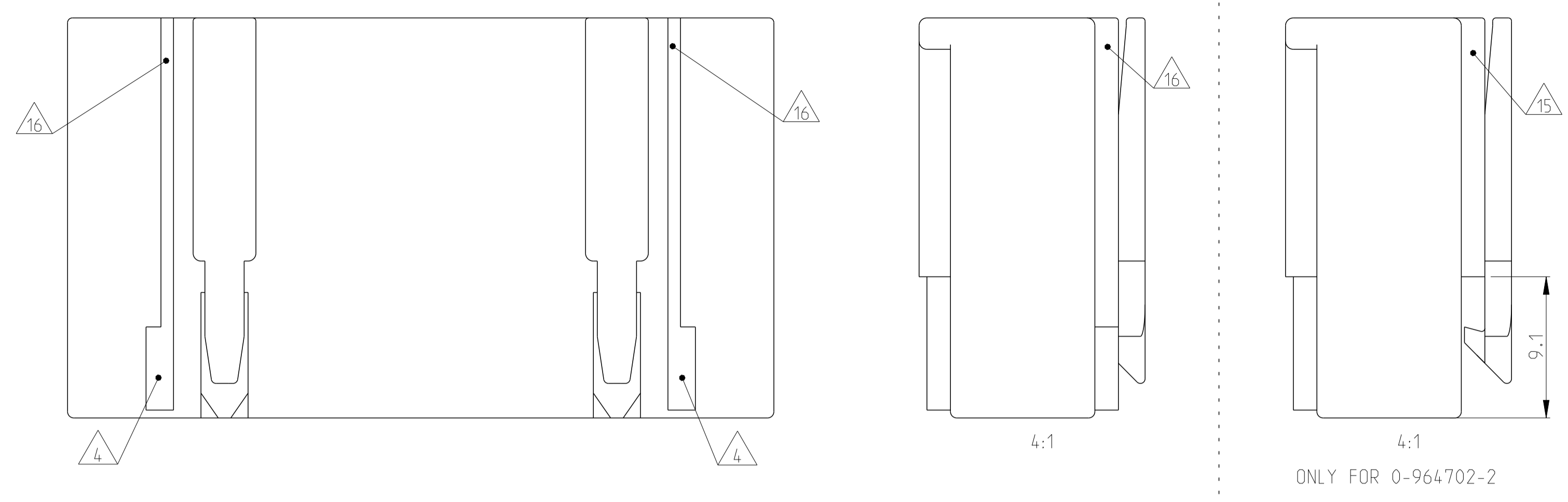
	6-1241965-5	5	-	25	20	NATURAL	UL94-V0 & GW EPT 750	D	△12 △13
	5-1241965-5	5	05-B	25	20	NATURAL	no flame △12 △13	E	△12 △13
△34	1-2364737-1	11	11-B	55	50	BLUE	UL94-V0 & GW EPT 750 no flame △12 △13	B	△12 △13
	2364737-9	9	-	45	40	BLUE		C	△12 △13
	2364737-5	5	-	25	20	BLUE		B	△12 △13
	1-2364737-2	2	02-B	10	5	BLUE		B	△12 △13
	2364737-2	2	02-A	10	5	BLUE		B	△12 △13
	2322912-8	8	08-D	40	35	BLUE	PA66 UL94 V0 GW T 750	B	△12 △13
	1-2322912-6	6	06-D	30	25	NATURE		B	△12 △13
	2322912-6	6	06-D	30	25	BLUE		B	△12 △13
	2322912-3	3	-	15	10	YELLOW		B	△12 △13
	2-2322912-2	2	02-A	10	5	NATURE		B	△12 △13
△34	1-2322912-2	2	02-G	10	5	BLUE		B	△12 △13
	2322912-2	2	02-C	10	5	GREY		B	△12 △13
	5-1241965-7	7	07-C	35	30	NATURAL	PA66 UL94 V0 GW T 750 CT1350	E	△12 △13
	4-1241965-7	7	-	35	30	NATURAL		E	△12 △13
△34	5-1241965-5	5	05-B	25	20	NATURAL		E	△12 △13
	5-1241965-4	4	-	20	15	NATURAL		E	△12 △13
△34	4-1241965-4	4	-	20	15	NATURAL		E	△12 △13
	3-1241965-4	4	-	20	15	NATURAL		E	△12 △13
	2-1241965-4	4	-	20	15	NATURAL		E	△12 △13
	1-1241965-4	4	04-C	20	15	NATURAL		E	△12 △13
	8-1241965-2	2	02-C	10	5	NATURAL		E	△12 △13
	2-1241965-2	2	-	10	5	NATURAL		E	△12 △13
	PART NO.	POS.	RAST 5	DIM A	DIM B	COLOUR	MATERIAL	LOCKING LATCH	MATED WITH
SPECIAL VERSION: UL94 V0 & GW T 750									

2345754-1	2	02-C	10	5	NATURAL	PA66 UL94 V0	E	△12 △13
PART NO.	POS.	RAST 5	DIM A	DIM B	COLOUR	MATERIAL	LOCKING LATCH	MATED WITH
SPECIAL VERSION: UL94 V0								

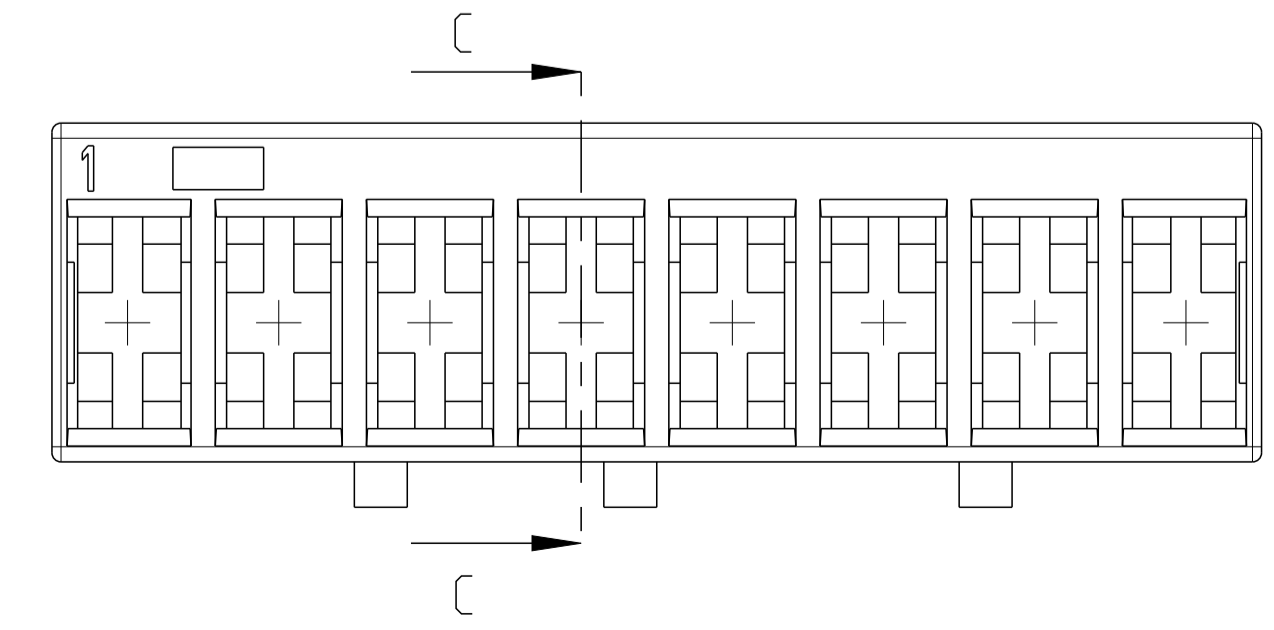
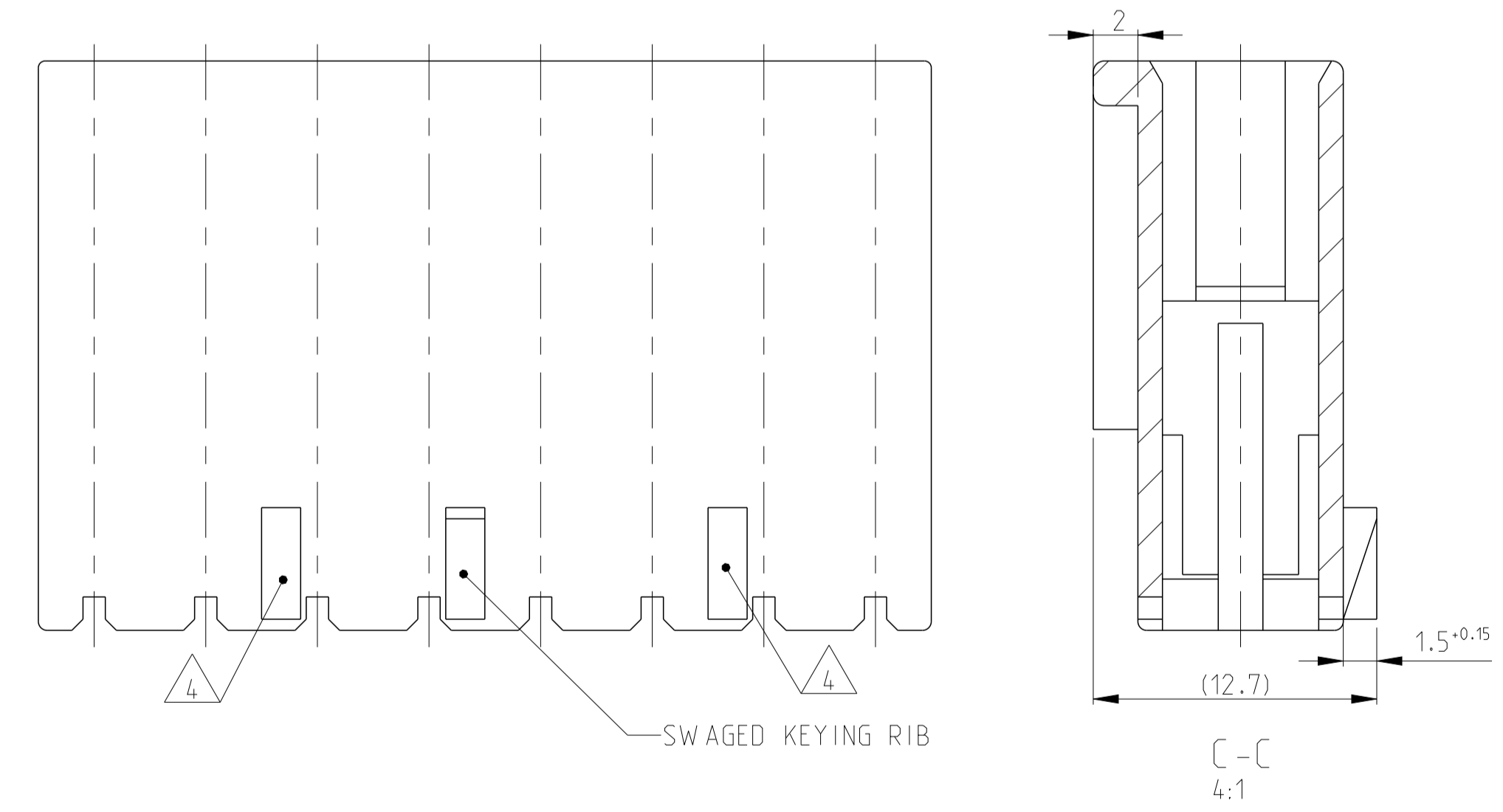
KEYING PLAN SEE SHEET 2 OF 4

THIS DRAWING IS A CONTROLLED DOCUMENT.		DMN Kishor M 07-JUL-2017	 TE Connectivity	
DIMENSIONS: mm		CHK K. Munz 07-NOV-06		
TOLERANCES UNLESS OTHERWISE SPECIFIED:		APVD Th. Klenner 07-NOV-06	NAME	
0 PLC ± 1 PLC 0.1 2 PLC 0.01 3 PLC 0.001 4 PLC 0.0001 ANGLES °		PRODUCT SPEC 108-18049	2-12 POS. STANDARD TIMER HSG WITH EXTERIOR LOCKING	
MATERIAL SEE TABLES		WEIGHT	SIZE A1	RESTRICTED TO
FINISH		Customer Drawing	CAGE CODE C=4241965	SCALE 5:1
			DRAWING NO 100779	SHEET 3 OF 4
				REV 4

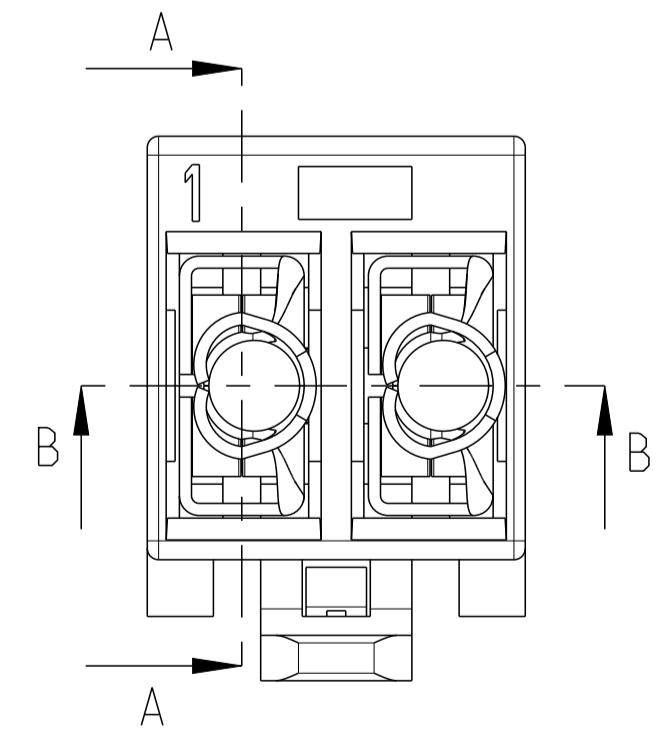
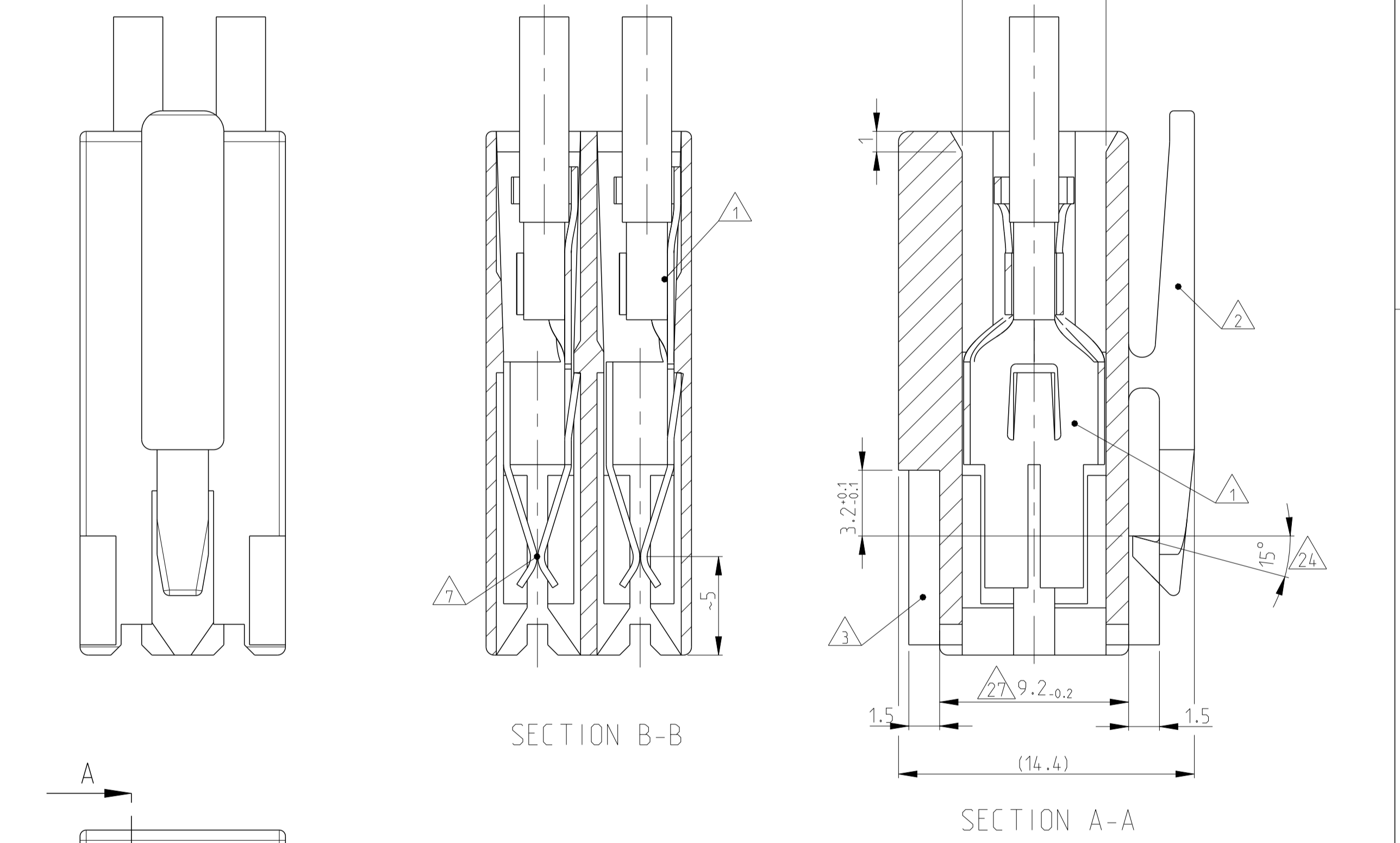
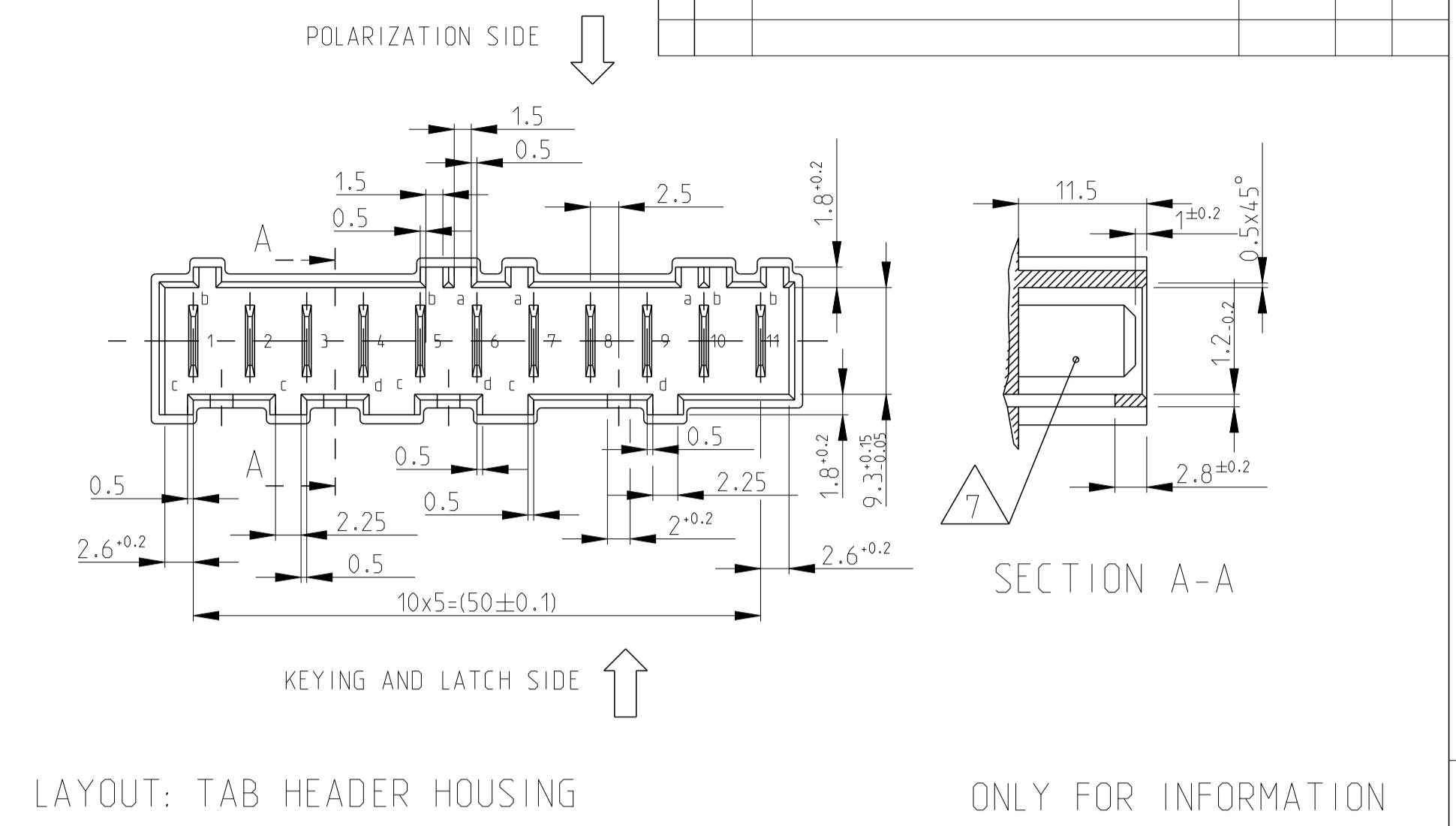
SPECIAL VERSIONS  $\triangle 15$   $\triangle 16$   
 9 POS STD. TIMER HSG. WITH TANGLING PROTECTION



SPECIAL VERSION  $\triangle 18$   
 8 POS SPECIAL STD. TIMER HSG.



LOC	DIST	REV	DESCRIPTION	DATE	OWN	APVD
A1	-	-	SEE SHEET 1	-	-	-



THIS DRAWING IS A CONTROLLED DOCUMENT.		OWN: Kishor M 18JUL2017	
DIMENSIONS: mm		CHK: K. Munz 07-NOV-06	
TOLERANCES UNLESS OTHERWISE SPECIFIED: ±0.2		APVD: Th. Klenner 07-NOV-06	NAME
0-PLC ±0.1 1-PLC ±0.1 2-PLC ±0.05 3-PLC ±0.001 4-PLC ±0.0001		PRODUCT SPEC	2-12 POS. STANDARD TIMER HSG WITH EXTERIOR LOCKING
MATERIAL: SEE TABLES		APPLICATION SPEC	SIZE: A1
FINISH: -		WEIGHT: -	CAGE CODE: 00779
ANGLES: -		Customer Drawing	DRAWING NO: 1241965
		SCALE: 5:1	SHEET 4 OF 4
			REV: C4