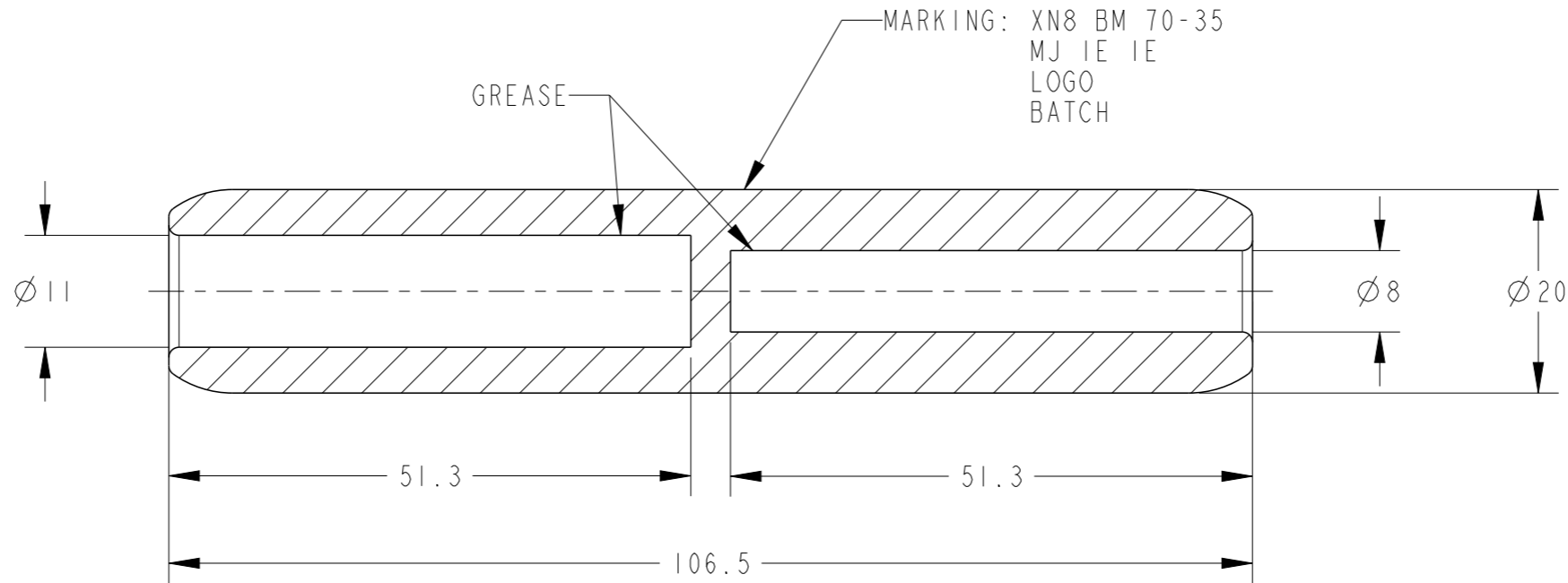


REVISIONS

P	LTR	DESCRIPTION	DATE	DWN	APVD
	A	INITIAL RELEASE	17DEC2020	RS	NA



TCPN	DESCRIPTION	CROSS SECTION (mm ²)
1273117-1	XN8 BM 70-35 (M)	70-35

THIS DRAWING IS A CONTROLLED DOCUMENT.		DWN RAVI.S 17DEC2020
DIMENSIONS: mm		CHK L. JONATHAN 17DEC2020
TOLERANCES UNLESS OTHERWISE SPECIFIED:		APVD N. ALMEIDA 17DEC2020
0 PLC ±-		PRODUCT SPEC -
1 PLC ±-		APPLICATION SPEC -
2 PLC ±-		WEIGHT 84 g
3 PLC ±-		CUSTOMER DRAWING
4 PLC ±-		SCALE NTS
ANGLES ±-		SHEET 1 OF 1
FINISH -		REV A

		NAME XN8 BM 70 35 (M)	
		SIZE A3	CAGE CODE 00779
DRAWING NO C-1273117		RESTRICTED TO -	