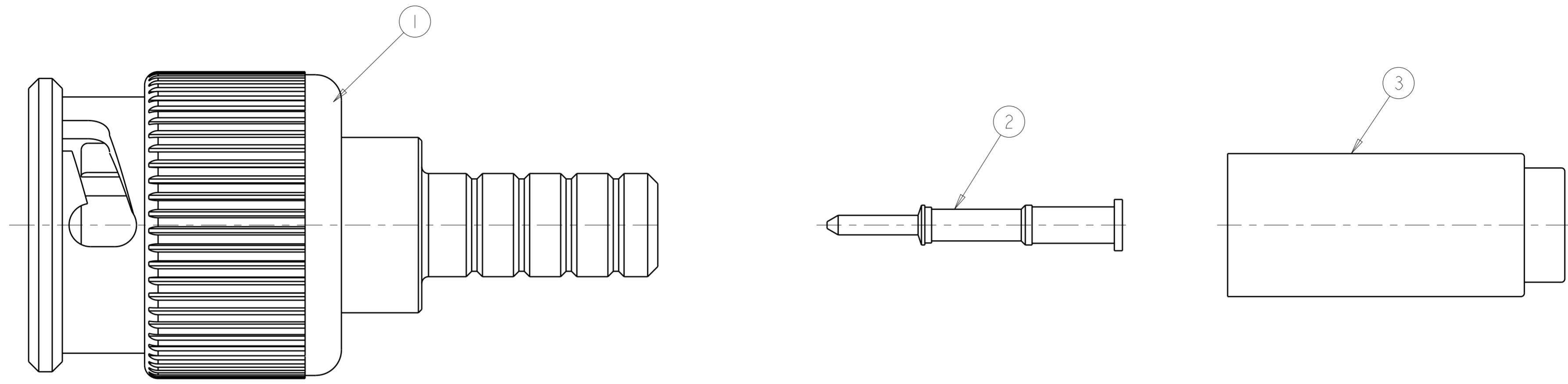


THIS DRAWING IS UNPUBLISHED. RELEASED FOR PUBLICATION 20
 © COPYRIGHT 20 BY - ALL RIGHTS RESERVED.

LOC	DIST	REVISIONS					
		P	LTR	DESCRIPTION	DATE	DWN	APVD
AJ	16			D3 REVISED PER ECR-16-005294	12APR2016	BW	RS
				D4 REVISED PER ECR-17-009545	04AUG2017	AS	RS
				D5 ECO-19-002795	27MAR2019	RZ	RS

- ITEMS PACKAGED UNASSEMBLED
- SEE SEPARATE CUSTOMER DRAWINGS FOR ITEM DETAILS
- SEE INSTRUCTION SHEET 408-8871 FOR CABLE TERMINATION DETAILS



ELECTRICAL	MECHANICAL	ENVIRONMENTAL
Impedance (Ohm) 75	Interface Dimension : Fig. -	TEMPERATURE RANGE -40C° TO + 85C°
Frequency Range (GHz) DC to 1GHZ	Recommended Coupling Torque N/A	THERMAL SHOCK EIA-364-32
Voltage Rating (Peak) @ Sea Level 300 V RMS	Force to Engage and Disengage (In/lbs) 7.0 MAX	MOISTURE RESISTANCE EIA-364-32, METHOD 11 COND C
Insulation Resistance (MIN.) 1000 M ohms	Center Contact Captivation Axial (Lbs) 2.0 Radial (In/Oz) N/A	ROHS COMPLIANT
Contact Resistance (Milliohms MAX) Center Contact 6.0 Outer Contact 3.0	Cable Retention Axial (Lbs) N/A Radial (In/Oz) N/A	
Dielectric Withstand Voltage: 750 V RMS Max	Mating cycles 500 cycles	
Insertion Loss : N/A		
VSWR: 1.3 MAX		
RF leakage: N/A		
3rd Intermodulation: N/A		

	RG179	.042[1.07]	.178[4.52]	1274563-3
OBSOLETE	734A	.042[1.07]	.255[6.48]	1274563-2
OBSOLETE	735A	.042[1.07]	.178[4.52]	1274563-1
STATUS	CABLE	CONTACT CRIMP (SQUARE)	FERRULE CRIMP (HEX)	PN

9-413658-0	1274565-6	2081579-1	1274563-3
9-221132-3	1274565-4	1274564-2	1274563-2
9-413658-2	1274565-2	1274564-1	1274563-1
FERRULE QTY = 1 (3)	CONTACT QTY = 1 (2)	PLUG ASSY QTY = 1 (1)	PART NUMBER

THIS DRAWING IS A CONTROLLED DOCUMENT.

DIMENSIONS: INCHES [mm]

TOLERANCES UNLESS OTHERWISE SPECIFIED:

0 PLC	±
1 PLC	±
2 PLC	±
3 PLC	±
4 PLC	±
ANGLES	±
FINISH	±

MATERIAL: -

DWN: K. WEIDNER 03OCT2003
 CHK: G. MICHAEL 13FEB2004
 APVD: K. WEIDNER 13FEB2004

PRODUCT SPEC: 108-2159
 APPLICATION SPEC: -

WEIGHT: -

CUSTOMER DRAWING

STE TE Connectivity

NAME: STRAIGHT PLUG KIT, MINI BNC

SIZE: A2 CAGE CODE: 00779 DRAWING NO: 1274563 RESTRICTED TO: -

SCALE: 2:1 SHEET 1 OF 1 REV D5