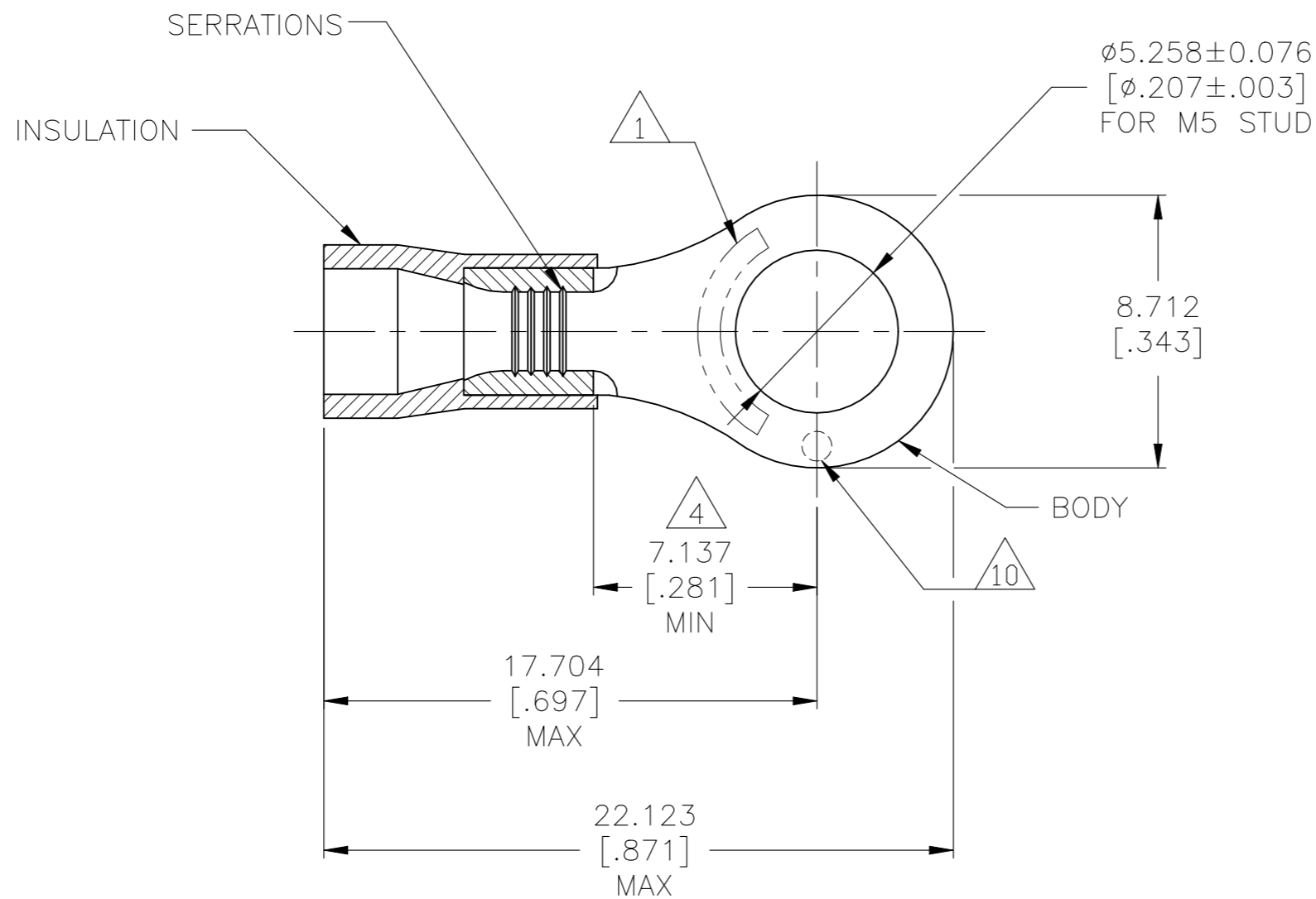


REVISIONS				
P	LTR	DESCRIPTION	DATE	APVD
	F	REVISED PER ECR-23-181664	04AUG2023	AP DSC



- 1 STAMP AMP 16-14*, APPROX AS SHOWN
- 2 WIRE INSULATION DIAMETER:
ø2.997[.118] TO ø4.826[.190]
- 3 BODY MATERIAL THK: 0.787±0.051[.031±.002]
- 4 DIMENSION APPLIES FROM EDGE OF METAL WIRE BARREL TO CENTER OF STUD HOLE.
- 5 NOTE DELETED
- 6 NOTE DELETED
- 7 NOTE DELETED
- 8 MATERIAL:
BODY - COPPER PER ASTM B152
INSULATION - PVC
- 9 FINISH:
BODY - TIN PLATE 0.00254[.000100]
MIN EXT THK PER ASTM B545
INSULATION COLOR - BLUE
- 10 DIMPLE STAMP MARK OPTIONAL

AMP WIRE RANGE	Listed FILE E13288	LR7189 Certified
16-14 AWG SOLID OR STRANDED	16-14 AWG SOLID OR STRANDED	16-14 AWG SOLID OR STRANDED

TAPE & REEL	STANDARD	5000	2-130102-1
LOOSE PIECE, BAG	STANDARD	1000	130102
PACKAGING TYPE	LABELLING	QTY	PART NO

AMP INCORPORATED CUSTOMER SERVICE SYSTEMS		MAX RECOMMENDED OPERATING TEMPERATURE: 105°C [221°F]	THIS DRAWING IS A CONTROLLED DOCUMENT.		DWN jr_ruth 06DEC05	TE Connectivity			
FOR ADDITIONAL PRODUCT INFORMATION OR COPIES OF DRAWINGS AND TECHNICAL DOCUMENTS	PRODUCT INFORMATION CENTER 1-800-522-6752	VOLTAGE RATING: 600 V MAX [1000V SIGNS OR FIXTURES]	DIMENSIONS: mm [INCHES]	TOLERANCES UNLESS OTHERWISE SPECIFIED:	CHK T MICHELUTTI 06DEC05				
FOR APPLICATION TOOLING INFORMATION	TOOLING ASSISTANCE CENTER 1-800-722-1111	WIRE CROSS SECTIONAL AREA RANGE: 1.04-2.62mm²[2050-5180] SOLID OR STRANDED		0 PLC ± - 1 PLC ± - 2 PLC ± - 3 PLC ± 0.127[.005] 4 PLC ± - ANGLES ± -	APVD T MICHELUTTI 06DEC05	PRODUCT SPEC UL 486A-B			
FOR ORDER ENTRY	1-800-526-5142	THIS DRAWING IS A CONTROLLED DOCUMENT FOR AMP INCORPORATED. IT IS SUBJECT TO CHANGE AND THE CONTROLLING ENGINEERING ORGANIZATION SHOULD BE CONTACTED FOR THE LATEST REVISION	MATERIAL 8	FINISH 9	APPLICATION SPEC 114-2161	SIZE A3	CAGE CODE 00779	DRAWING NO C-130102	RESTRICTED TO -
CUSTOMER DRAWING						SCALE 5:1	SHEET 1 OF 1	REV F	