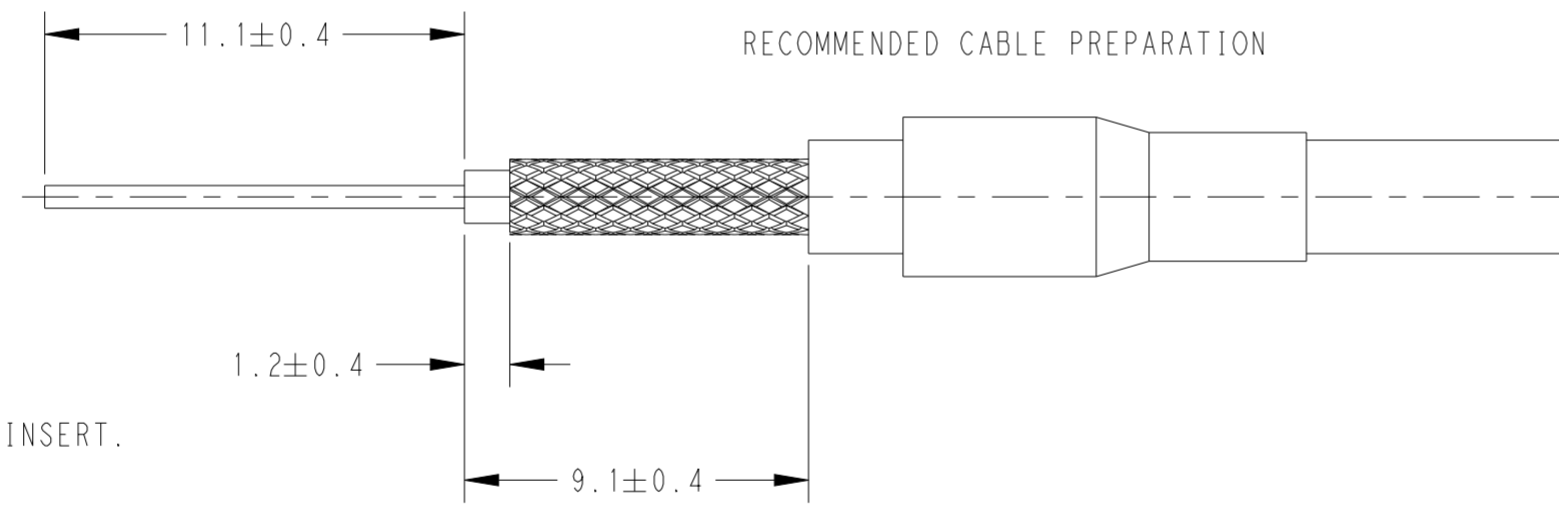
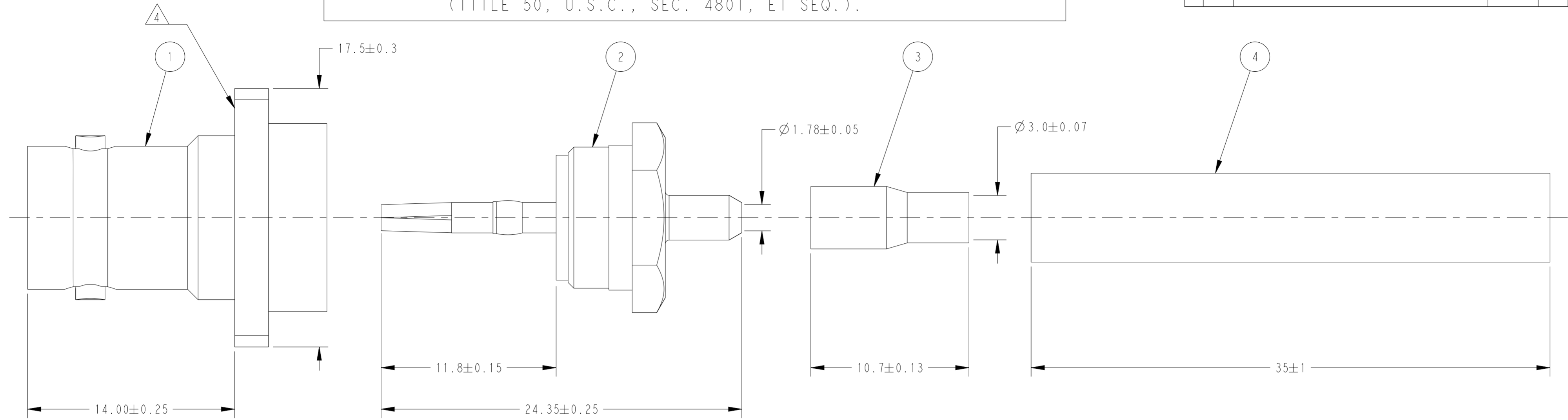


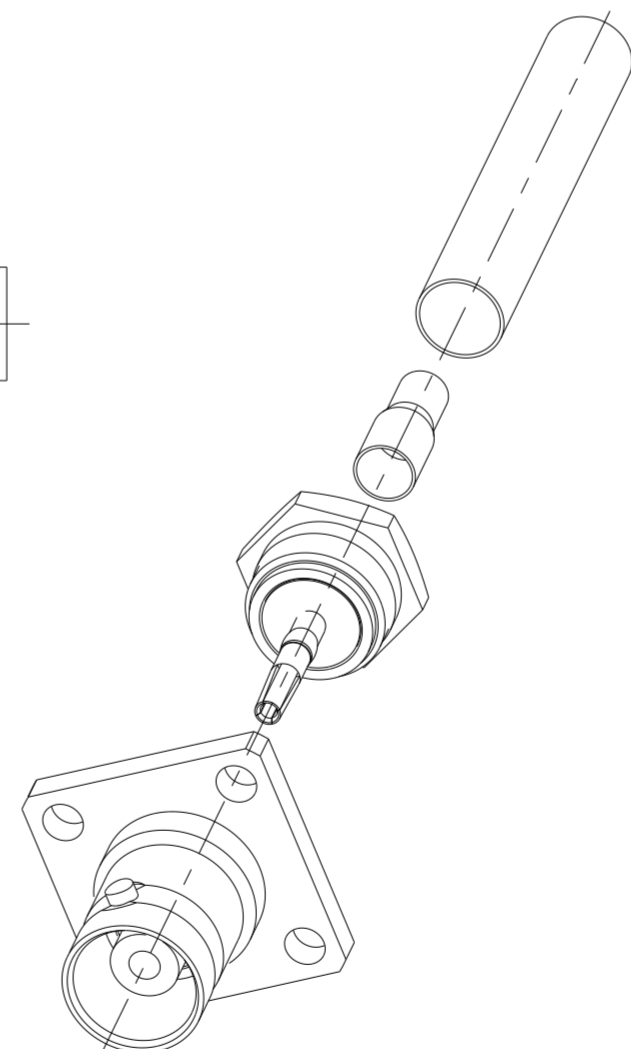
WARNING - THIS DOCUMENT CONTAINS TECHNOLOGY WHOSE EXPORT IS RESTRICTED BY THE EXPORT ADMINISTRATION REGULATIONS ("EAR") PURSUANT TO 15 C.F.R. PARTS 730-774. VIOLATIONS OF THE EAR ARE SUBJECT TO SEVERE CRIMINAL PENALTIES UNDER THE EXPORT CONTROL REFORM ACT, AS AMENDED (TITLE 50, U.S.C., SEC. 4801, ET SEQ.).

REVISIONS				
P	LTR	DESCRIPTION	DATE	APVD
C		REVISED PER ECR-10-006365	23MAR2010	MJG JA
C1		REVISED PER ECR-10-022205	27MAY2011	KK HMR
H		REVISE PER ECN-24-282338	19AUG2024	PS JS



NOTES:

- FOR USE ON RG188, KX3 & KX22 CABLE.
- APPLICATION TOOL 476408 OR 69710 WITH 476410 INSERT.
- INSTRUCTION SHEET 408-1799-4.
- △ FOUR MOUNTING HOLES Ø2.08.
- FERRULE AND HEAT SHRINK TUBING NOT ASSEMBLED, PACKAGED SEPARATELY.



SHELLS	BRASS PER ASTM B16	SILVER PLATE PER ASTM B700
DIELECTRIC	PTFE FLUOROCARBON PER ASTM-D-1457	N/A
CENTER CONTACT, TCN	BeCu PER ASTM B196	GOLD PLATE PER ASTM B488 OVER NICKEL PLATE PER SAE-AMS-QQ-N-290
CRIMP FERRULE	BRASS PER ASTM B16	SILVER PLATE PER ASTM B700
GASKET	SILICONE RUBBER PER-A-A-59588	N/A
HEAT SHRINK TUBING	ADHESIVE LINED POLYOLEFIN PER RK-6024	N/A
FLANGE	N/A	BRASS PER ASTM B36
COMPONENT	-1	-2
	MATERIAL	FINISH

THIS PRINT IS
PRELIMINARY
UNQUALIFIED PRODUCT CONTACT PRODUCT ENGINEERING BEFORE USING THIS PRINT

1	1	HEAT SHRINK TUBING	4
1	1	FERRULE	3
1	1	JACK CRIMP END ASSY	2
1	-	JACK HOUSING	1
-	1	JACK HOUSING	1
QTY-2	QTY-1	DESCRIPTION	ITEM NO.
131050			

DIMENSIONS:		TOLERANCES UNLESS OTHERWISE SPECIFIED:		DWN		M.GREENER		23MAR2010	
mm		0 PLC	±	CHK	J.AMBROSE	23MAR2010	TE Connectivity NAME BNC PANEL JACK COAX ASSY SIZE CAGE CODE DRAWING NO RESTRICTED TO A2 00779 C-131050 SCALE 5:1 SHEET 1 OF 1 REV H		
		1 PLC	±0.3	APVD	J.AMBROSE	23MAR2010			
		2 PLC	±	PRODUCT SPEC					
		3 PLC	±	APPLICATION SPEC					
		4 PLC	±						
		ANGLES	±2°						
		FINISH							
MATERIAL				WEIGHT					
				CUSTOMER DRAWING					