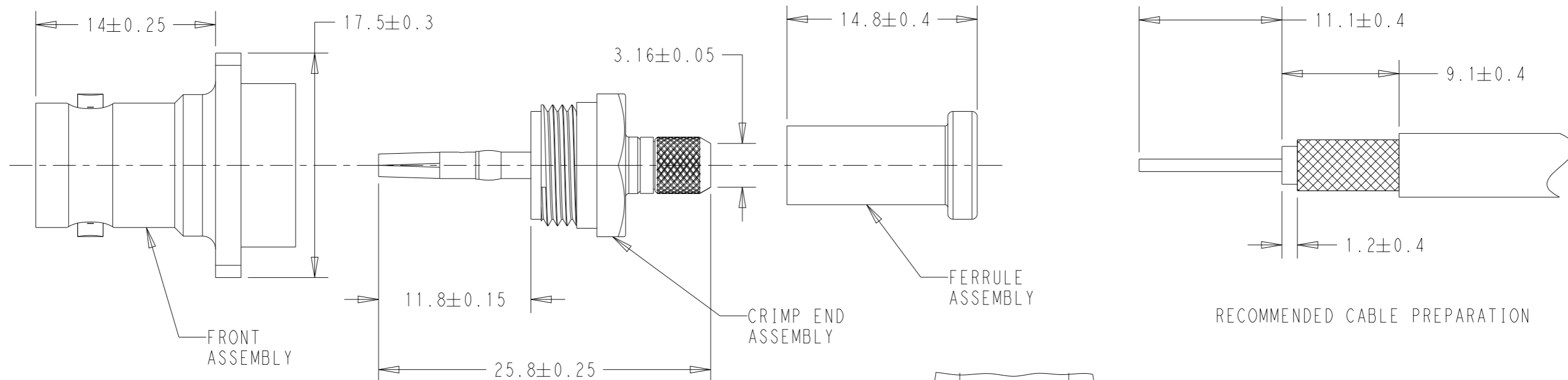
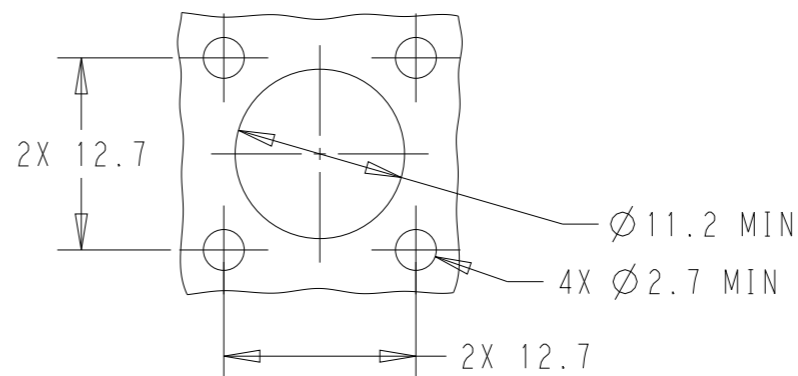


WARNING - THIS DOCUMENT CONTAINS TECHNOLOGY WHOSE EXPORT IS RESTRICTED BY THE EXPORT ADMINISTRATION REGULATIONS ("EAR") PURSUANT TO 15 C.F.R. PARTS 730-774. VIOLATIONS OF THE EAR ARE SUBJECT TO SEVERE CRIMINAL PENALTIES UNDER THE EXPORT CONTROL REFORM ACT, AS AMENDED (TITLE 50, U.S.C., SEC. 4801, ET SEQ.).

REVISIONS					
P	LTR	DESCRIPTION	DATE	DWN	APVD
	D	REDRAW PER ECN-24-282349	21AUG2024	JAB	JS



1. FOR USE WITH KX23 & RG400U



SHELLS	BRASS PER ASTM B16	SILVER PLATE PER ASTM B700
DIELECTRICS	PTFE FLOUROCARBON PER ASTM-D-1457	N/A
GASKETS	SILICONE RUBBER PER A-A-59588	N/A
CONTACT	BeCu PER ASTM B196	GOLD PLATE PER ASTM B488 OVER NICKEL PLATE PER SAE-AMS-QQ-N-290
CRIMP FERRULE	COPPER OR BRASS ALLOY ROCKWELL B 45 MAX	SILVER PLATE PER ASTM B700
FLANGE	BRASS PER ASTM B36	SILVER PLATE PER ASTM B700
COMPONENT	MATERIAL	FINISH

THIS DRAWING IS A CONTROLLED DOCUMENT.

DIMENSIONS:	TOLERANCES UNLESS OTHERWISE SPECIFIED:
mm	
	0 PLC \pm
	1 PLC \pm
	2 PLC \pm
	3 PLC \pm
	4 PLC \pm
	ANGLES \pm
MATERIAL	FINISH
-	-

DWN	J. A. BAKER	21AUG2024
CHK	J. SLUSSER	21AUG2024
APVD	J. SLUSSER	30AUG2024
PRODUCT SPEC	-	-
APPLICATION SPEC	408-2610	-
WEIGHT	-	-
CUSTOMER DRAWING		

69814	69710-1	131228-1
DIE SET	CRIMP TOOL	PART NUMBER

STE TE Connectivity			
NAME: PANEL JACK BNC ASSY TYPE E			
SIZE	CAGE CODE	DRAWING NO	RESTRICTED TO
A3	00779	131228	-
SCALE 3:1		SHEET 1 OF 1	REV D