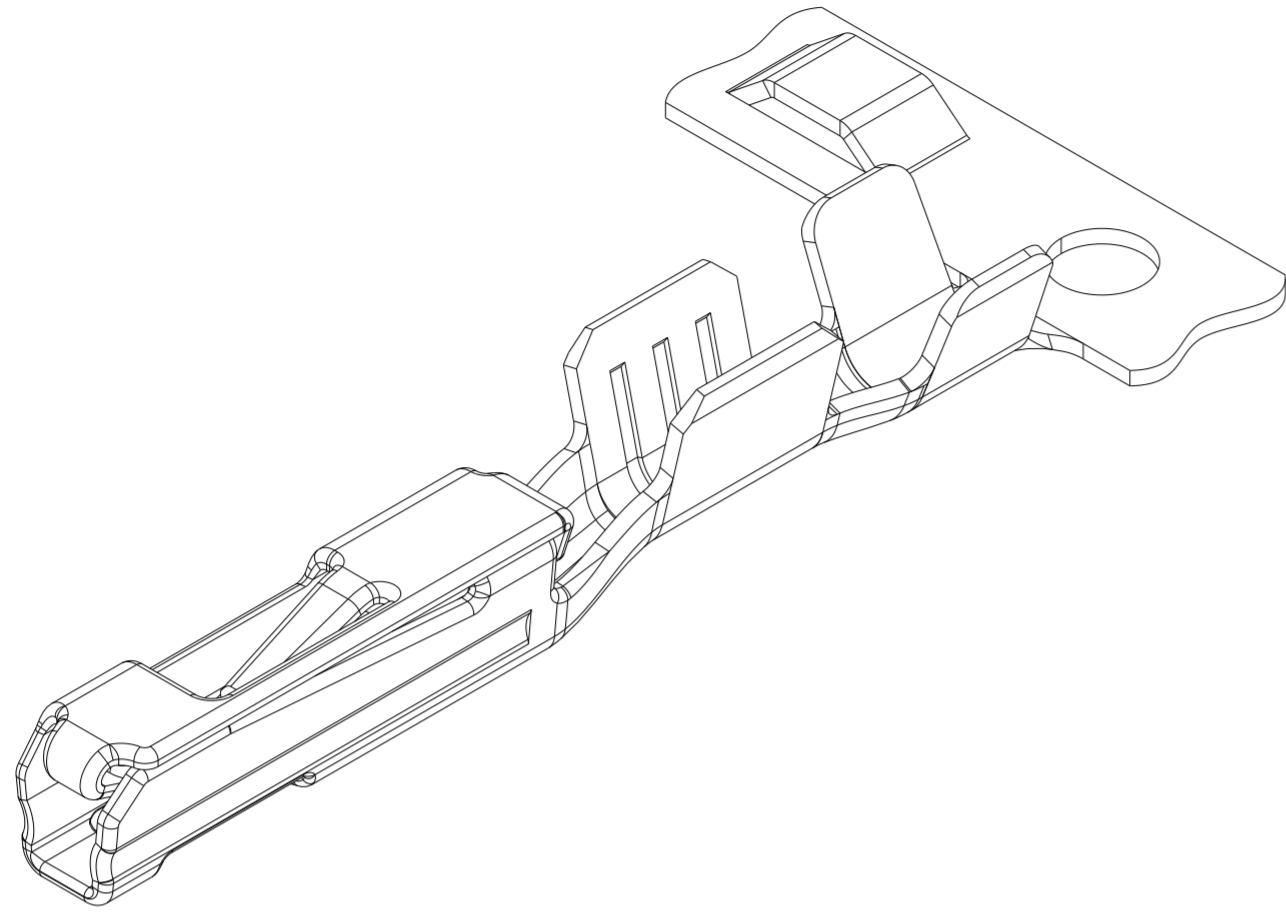


THIS DRAWING IS UNPUBLISHED. RELEASED FOR PUBLICATION 20  
 © COPYRIGHT 20 BY - ALL RIGHTS RESERVED.

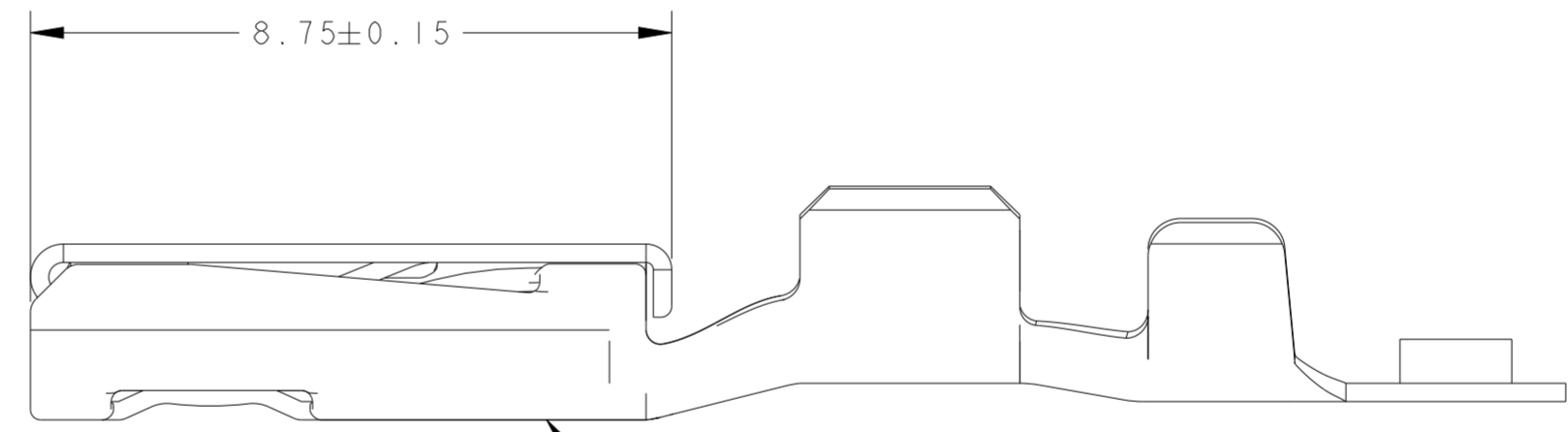
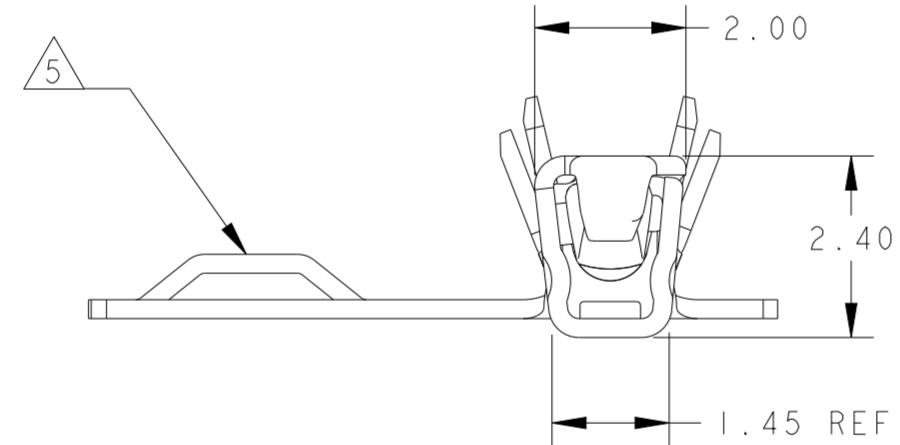
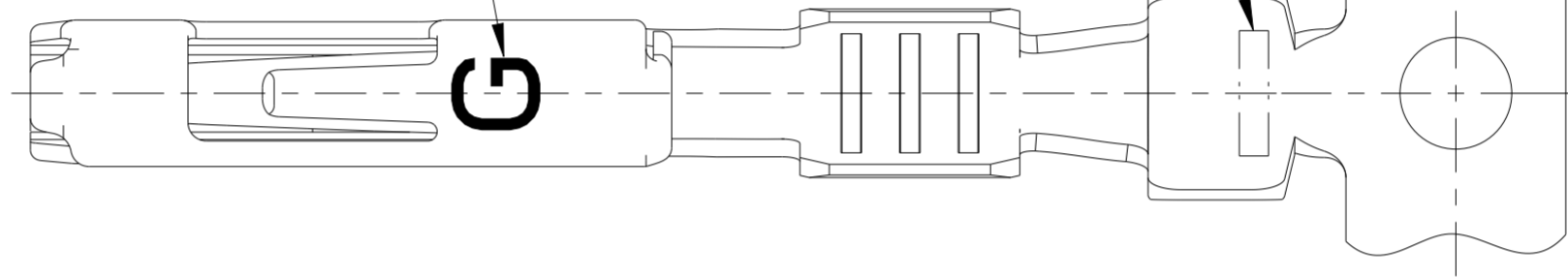
REVISIONS				
P	LTR	DESCRIPTION	DATE	APVD
D		REV PER ECO-20-003456	15APR2020	RGV KF
E		REV PER ECN-23-241925	14DEC2023	SMR LM



GOLD INDICATOR  
 (ON BOTTOM  
 [OPPOSITE SIDE OF BOX]  
 CORRECT ORIENTATION)

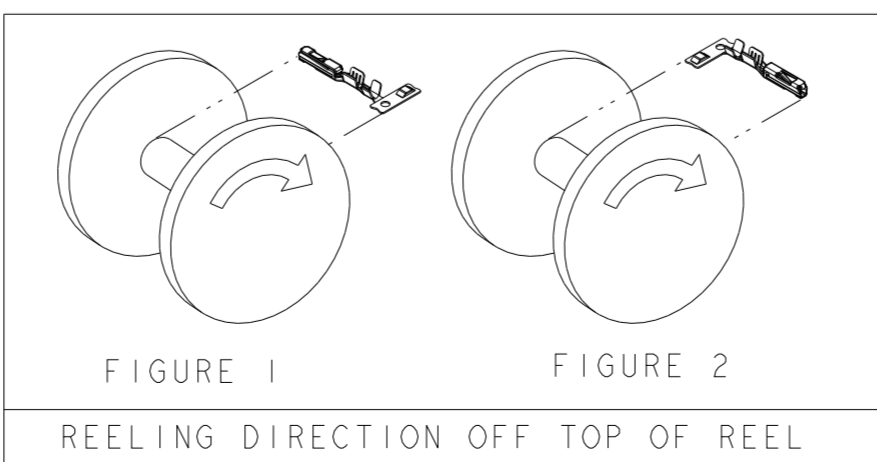
WEEK CODE  
 FAR SIDE

3.00±0.15  
 1.50±0.15



SHUNT CONTACT  
 PLATING AREA

- 1 FINISH: PLATED 0.0038 MIN THICK GOLD IN MATING AREA WITH 0.0025 MIN THICK TIN IN WIRE CRIMP AREA, ALL OVER 0.002 MIN THICK NICKEL.
- 2 FINISH: PLATED 0.0038 MIN THICK GOLD IN MATING AREA, PLATED 0.00038 MIN THICK GOLD IN SHUNT CONTACT PLATING AREA WITH 0.0025 MIN THICK TIN IN WIRE CRIMP AREA, ALL OVER 0.002 MIN THICK NICKEL.
- 3. NOTE DELETED.
- 4 PART LUBRICATED WITH CHEMLUBE 1102
- 5 FEATURE ON CARRIER STRIP IS RAISED ON GOLD PLATED PRODUCT. FEATURE APPEARS ADJACENT TO EVERY OTHER CONTACT MIN.
- 6 SEE FIGURE 1 FOR REELING DIRECTION.
- 7 SEE FIGURE 2 FOR REELING DIRECTION.
- 8. FOR LEVER ASSISTED CONNECTORS WITH SIDE SLIDE ACTION THE ALLOWABLE WIRE BRUSH LENGTH RANGE IS 0.10-0.70MM.



REELING	LUBRICATION	FINISH	WIRE SIZE	PART NUMBER
7	4	2	22	1326028-8
			18-20	1326028-7
6	4	1	22	1326028-6
			18-20	1326028-5
6	4	2	22	1326028-4
			18-20	1326028-3
6	4	1	22	1326028-2
			18-20	1326028-1

THIS DRAWING IS A CONTROLLED DOCUMENT.

DIMENSIONS: mm

TOLERANCES UNLESS OTHERWISE SPECIFIED:  
 0 PLC ±  
 1 PLC ±  
 2 PLC ±0.20  
 3 PLC ±  
 4 PLC ±  
 ANGLES ±3°  
 FINISH -

MATERIAL: 0.25 THK COPPER ALLOY

DWN: J R SHUEY 02SEP99  
 CHK: J M MYER 02SEP99  
 APVD: K DENLINGER 02SEP99

PRODUCT SPEC: 108-2220  
 APPLICATION SPEC: 114-13006

WEIGHT: -

Customer Drawing

SCALE: 10:1

SIZE: A2

CAGE CODE: 07779

DRAWING NO: 1326028

RESTRICTED TO: -

TE Connectivity

CONTACT, FEMALE, 0.64mm GOLD PLATED

SHEET 1 OF 1

REV E