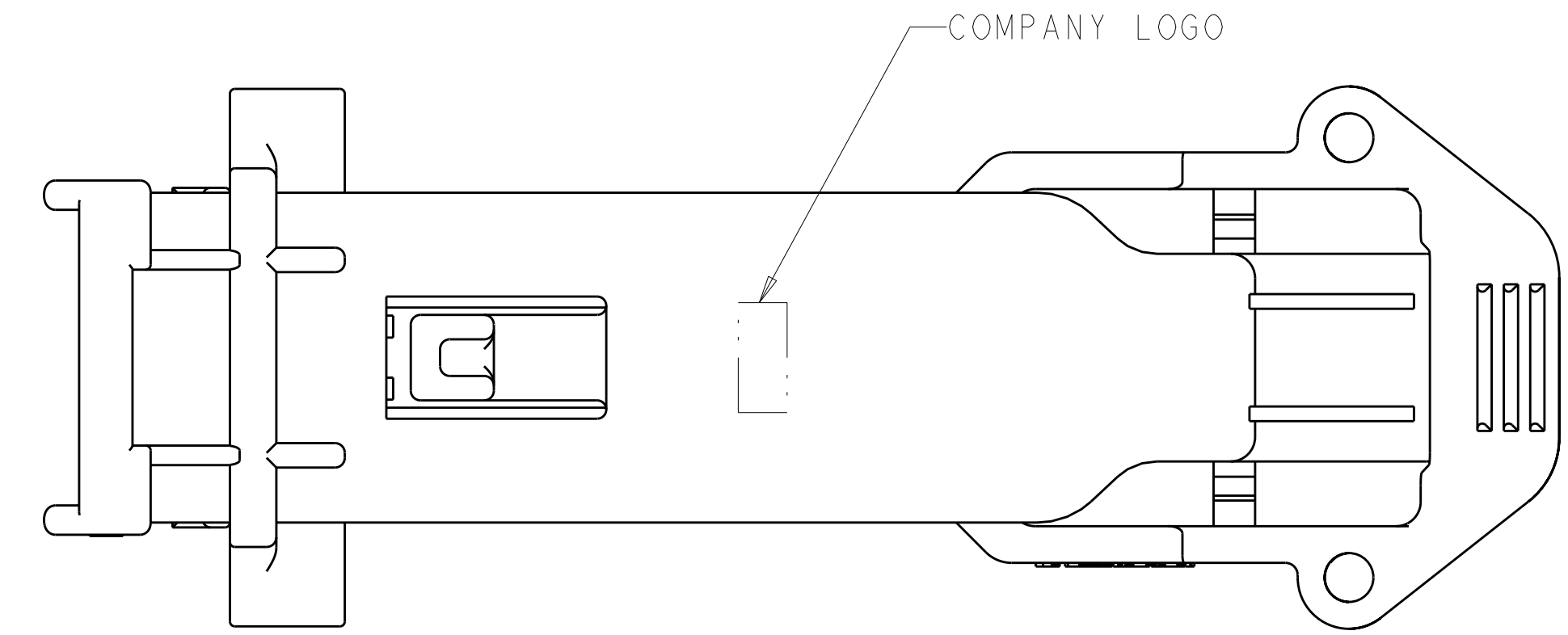
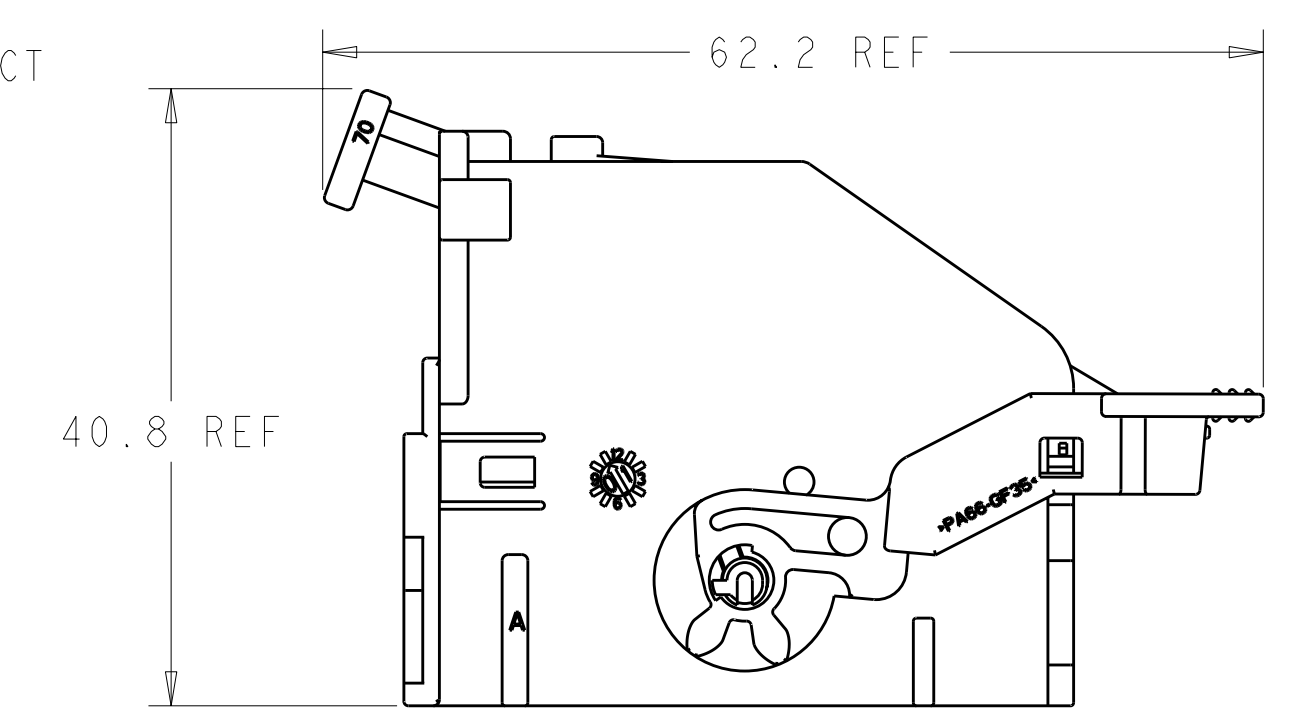


SCALE 2:1

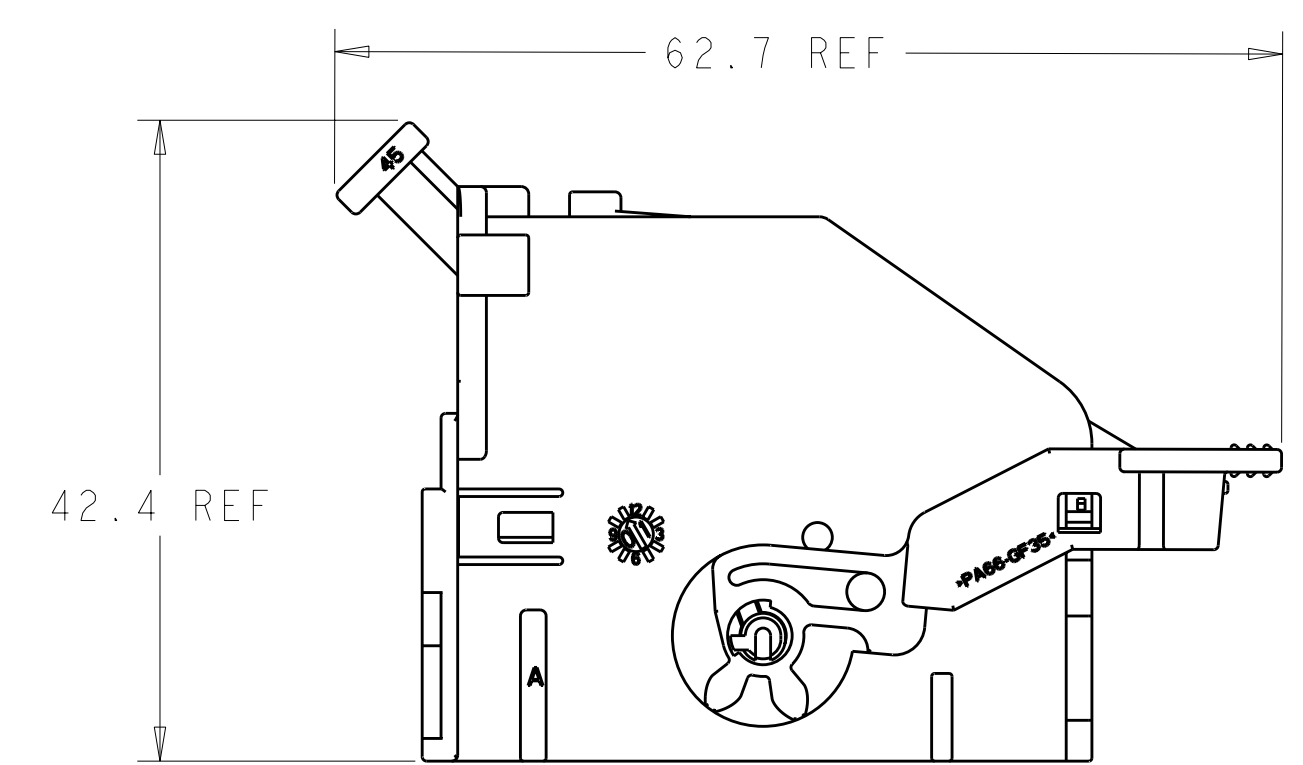


- △ MATERIAL: SHIELD - 35% GLASS REINFORCED NYLON, SEE TABLE BELOW FOR COLOR.  
 LEVER - 35% GLASS REINFORCED NYLON, COLOR GRAY.
- REFERENCE: RECEPTACLE HOUSING 1326141-1 USED WITH THIS ASSEMBLY.
  - REFER TO INSTRUCTION SHEET 408-8662 FOR PRODUCT ASSEMBLY AND DISASSEMBLY PROCEDURES.
  - REFER TO USCAR-2 REV 3 APRIL 2001 FOR PRODUCT SPECIFICATIONS.
  - REFER TO DRAWING NO. AUAUT00000-2962-0486 FOR INTERFACE DETAILS.

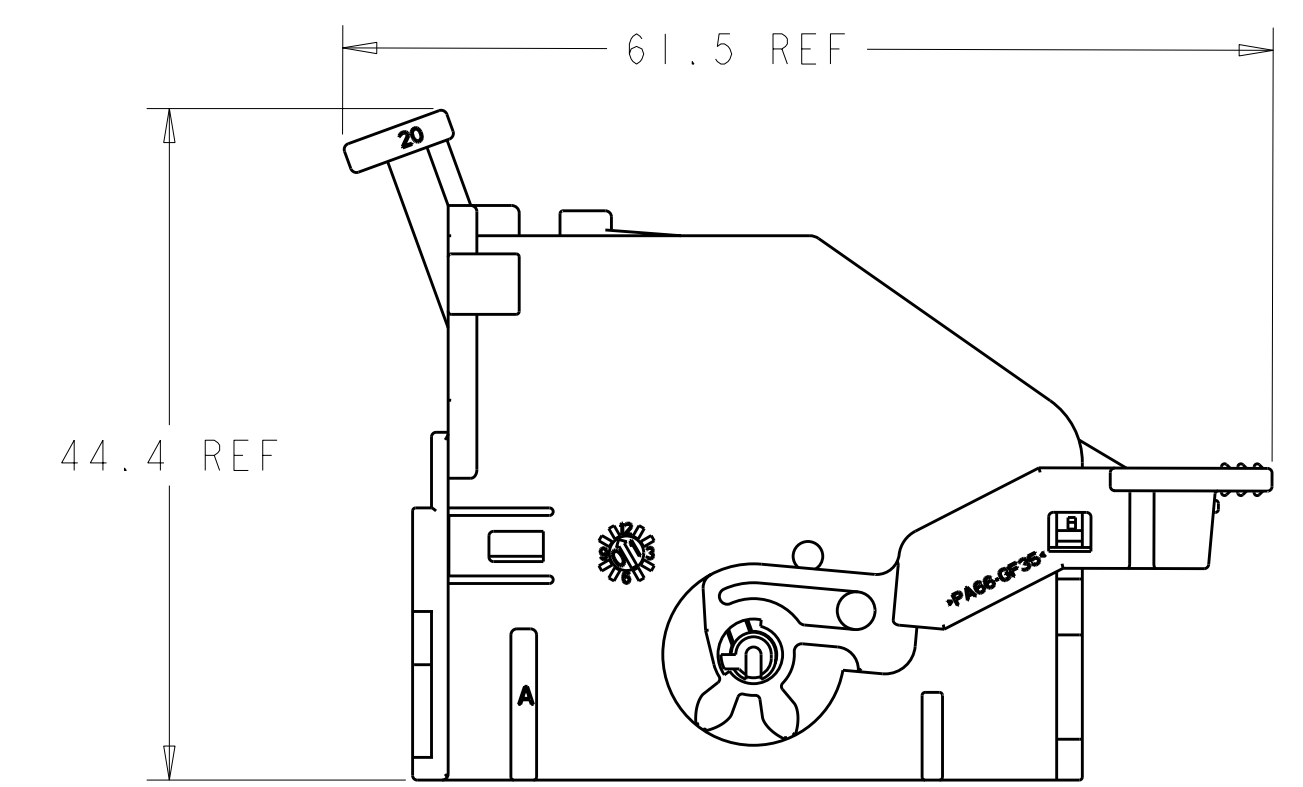
LOC	DIST	REVISIONS				
FX	00	REV	DESCRIPTION	DATE	BY	APPD
		0	RELEASED PER EC# OK80-0283-02	20DEC2002	SPT	AME
		A	REV PER EC# OK80-0113-03	16APR2003	RGV	AME
		A1	REV PER ECR-10-011823	31MAR2010	VSS	CS



70° WIRE EXIT  
SCALE 2:1



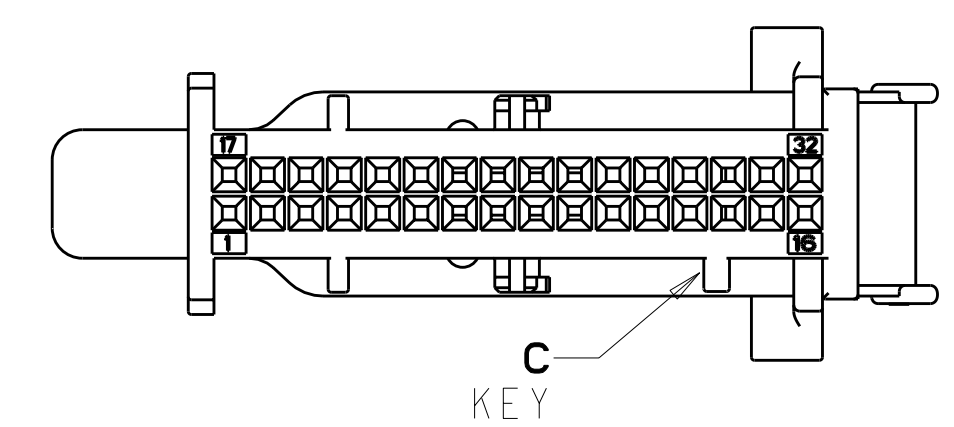
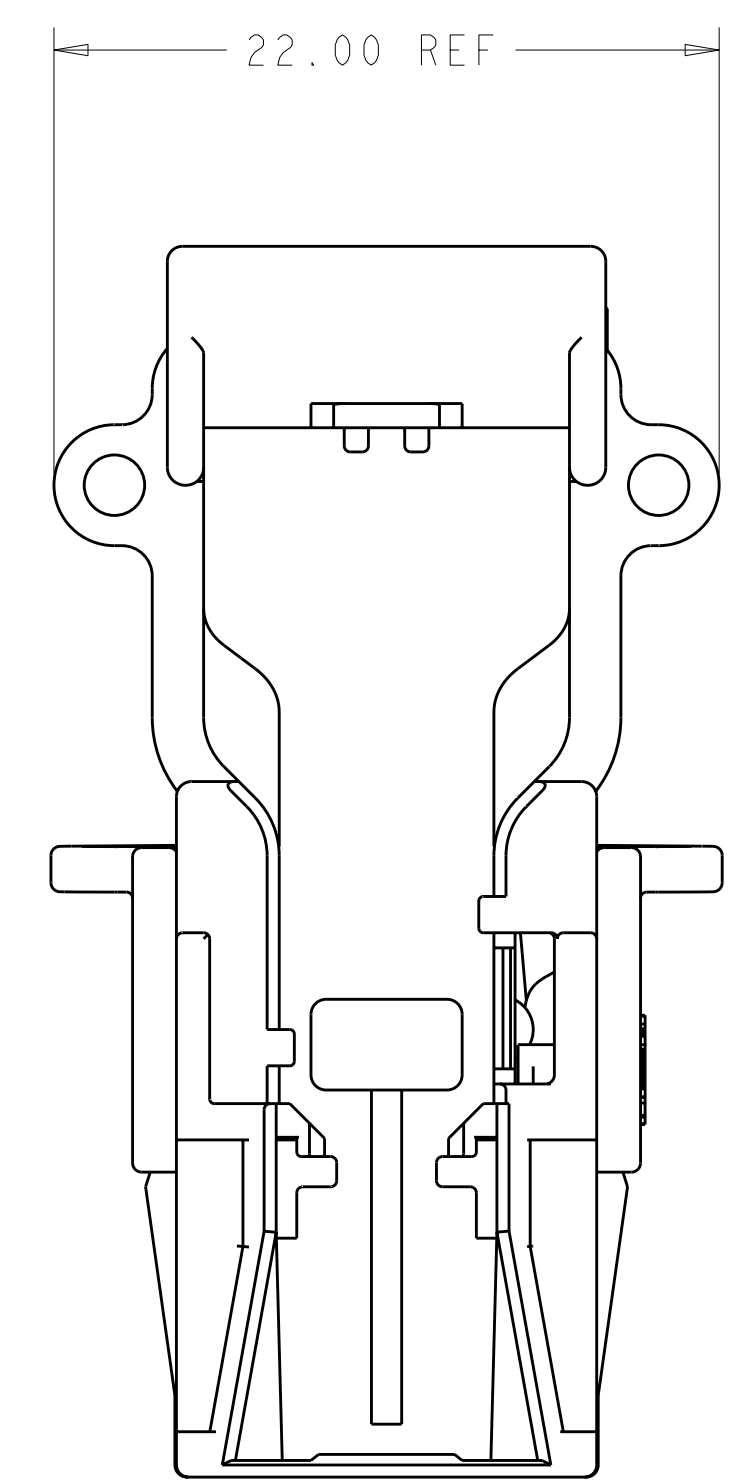
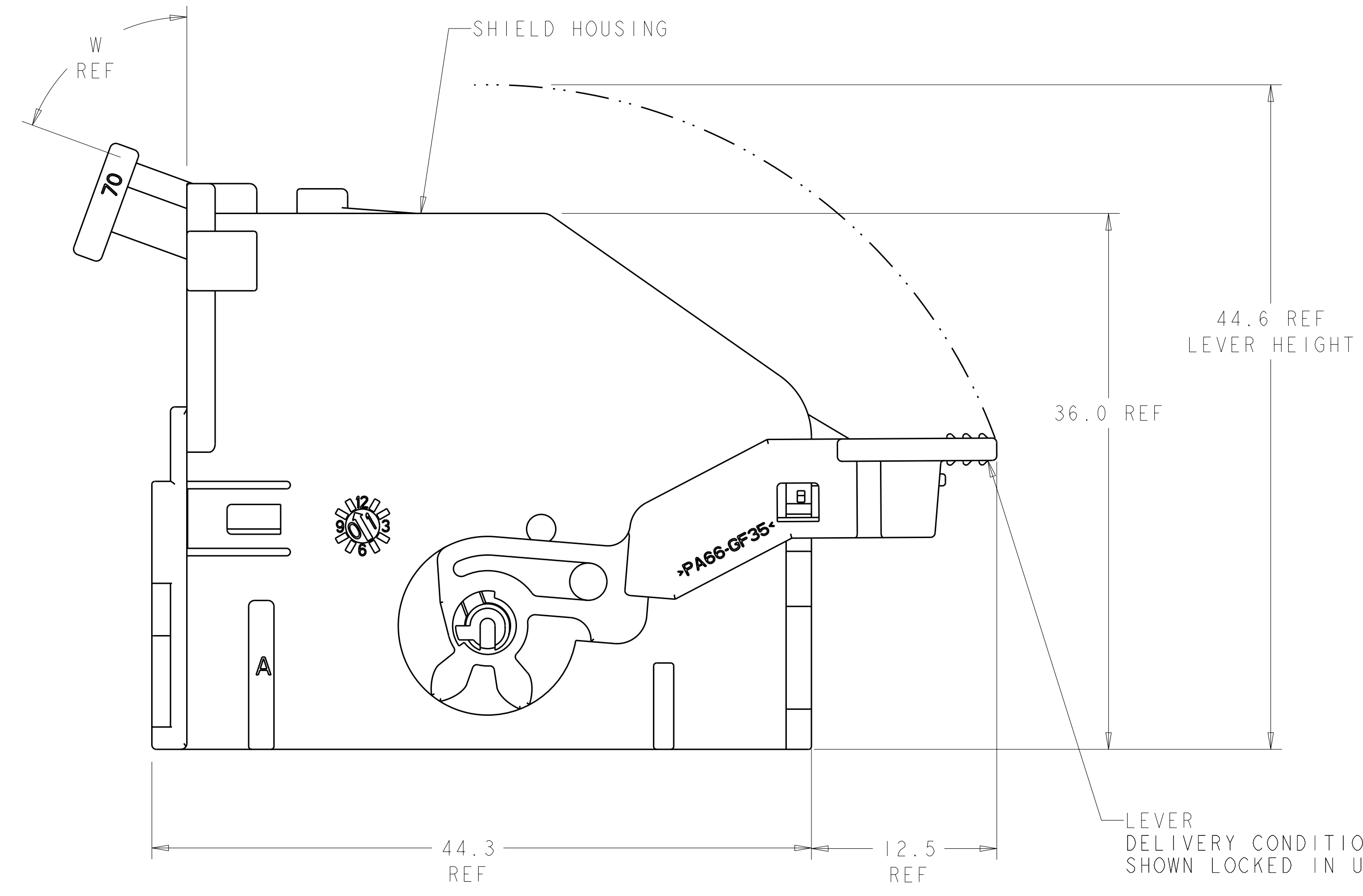
45° WIRE EXIT  
SCALE 2:1



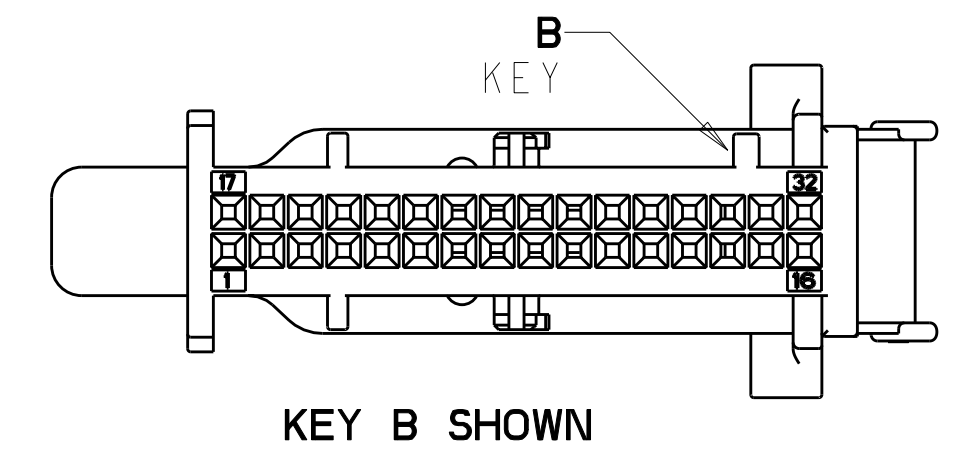
20° WIRE EXIT  
SCALE 2:1

**WIRE EXIT OPTIONS  
REFERENCE ONLY**

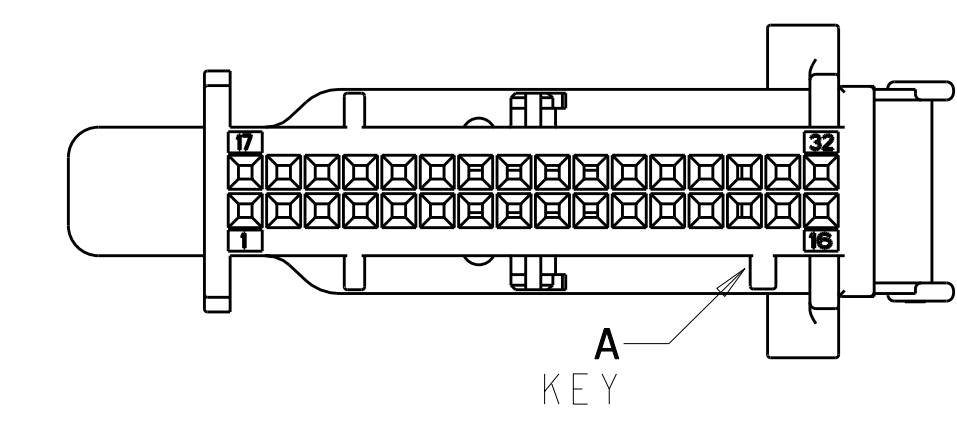
DIM	W	COLOR	KEYING OPT.	PART NUMBER
20°	BLACK	C		1326140-9
20°	BLUE	B		1326140-8
20°	GREY	A		1326140-7
45°	BLACK	C		1326140-6
45°	BLUE	B		1326140-5
45°	GREY	A		1326140-4
70°	BLACK	C		1326140-3
70°	BLUE	B		1326140-2
70°	GREY	A		1326140-1



KEY C SHOWN



KEY B SHOWN

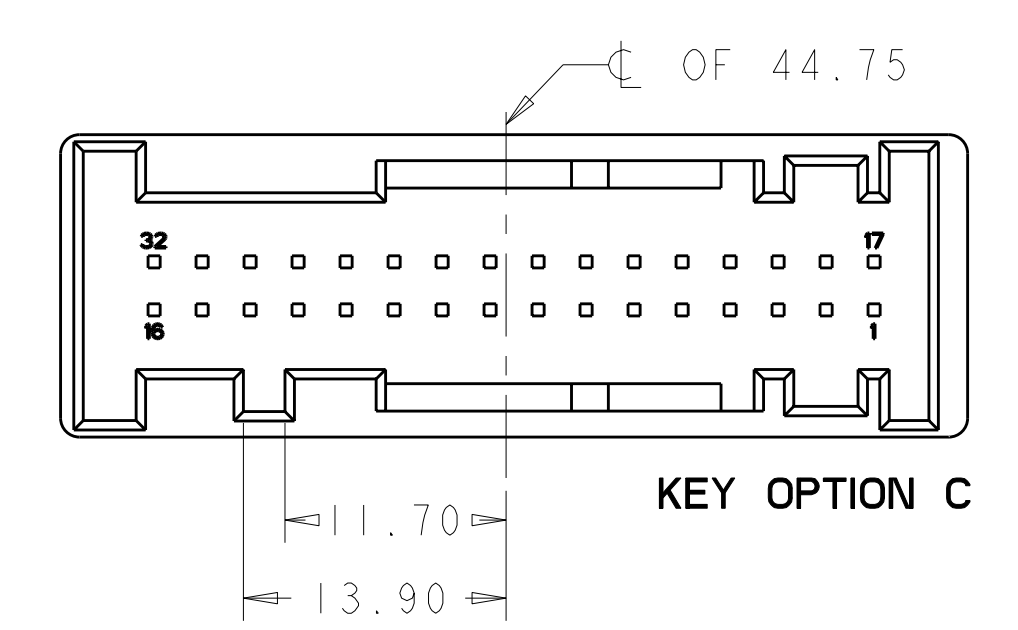
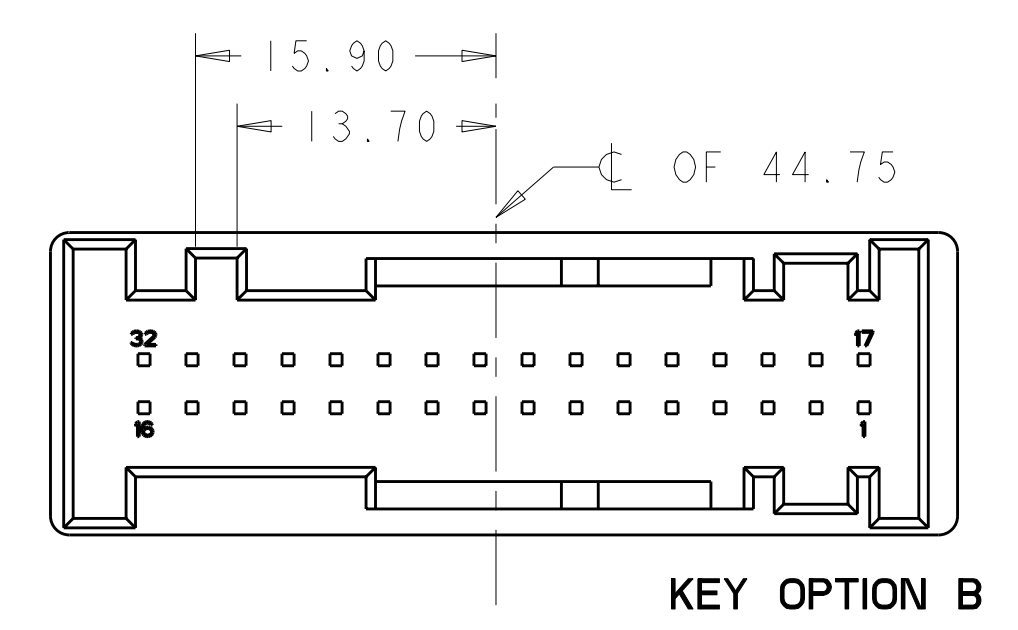
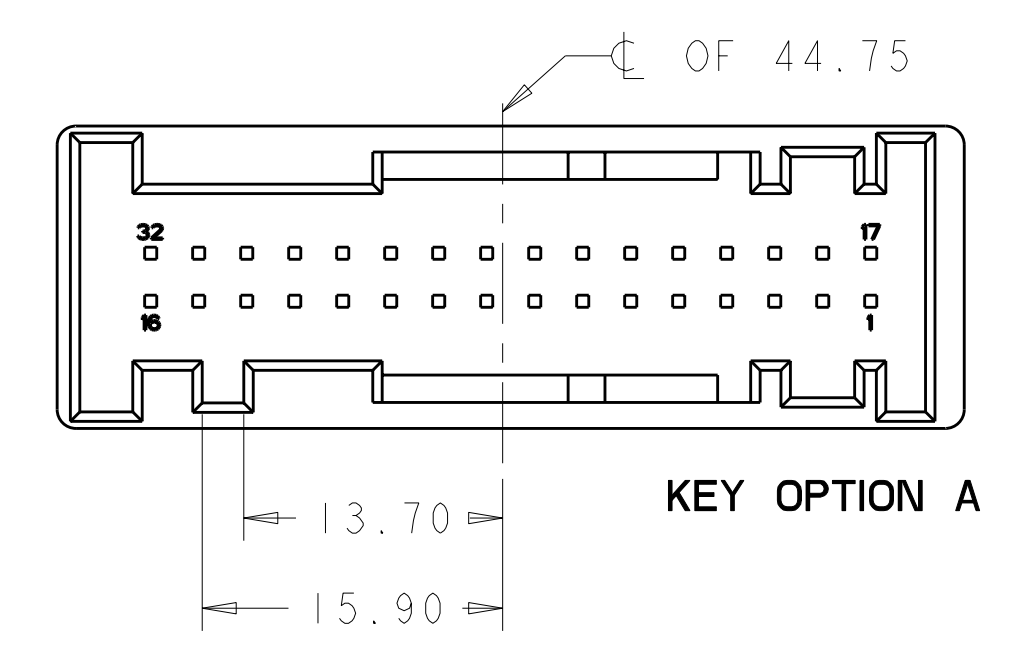
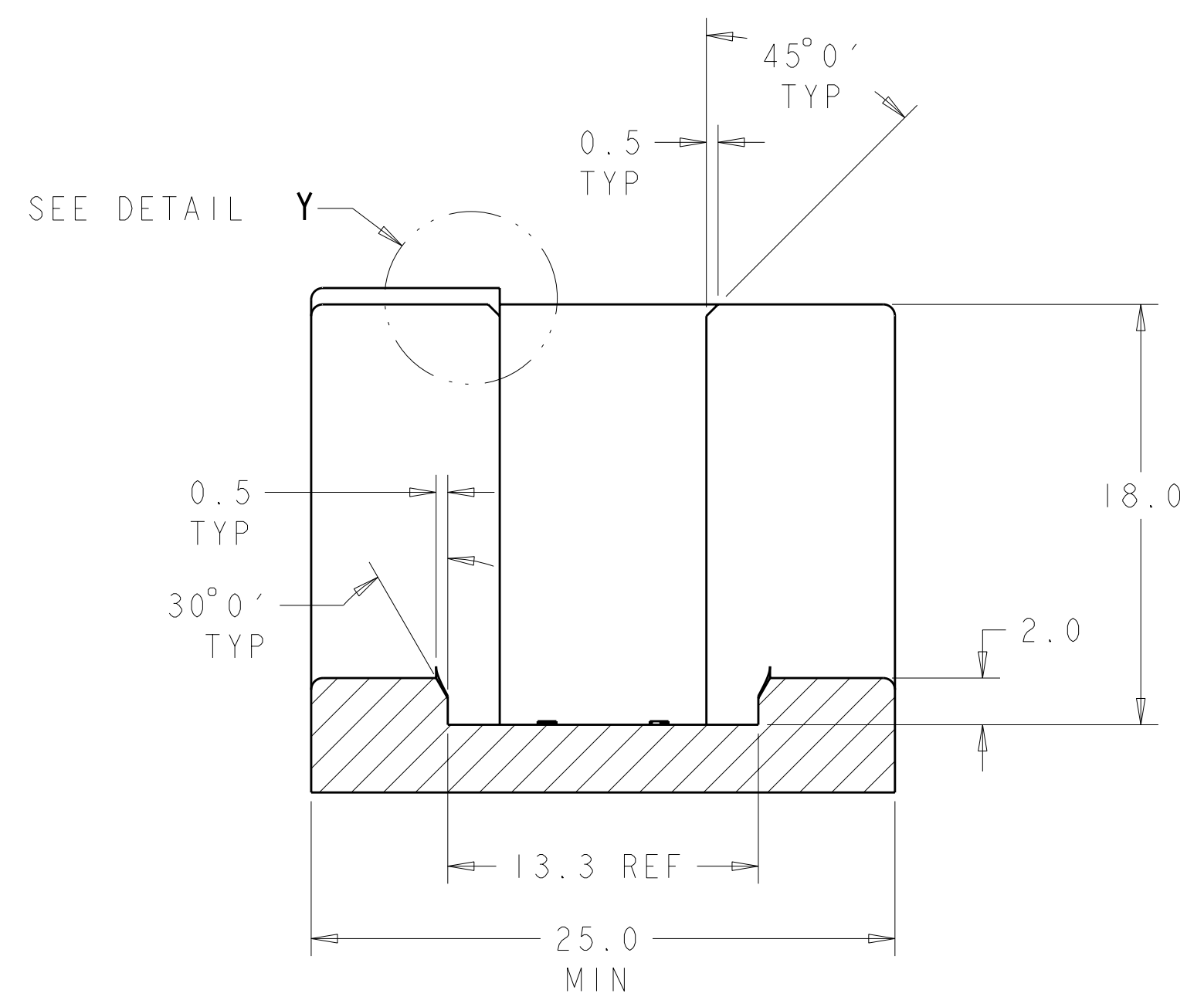
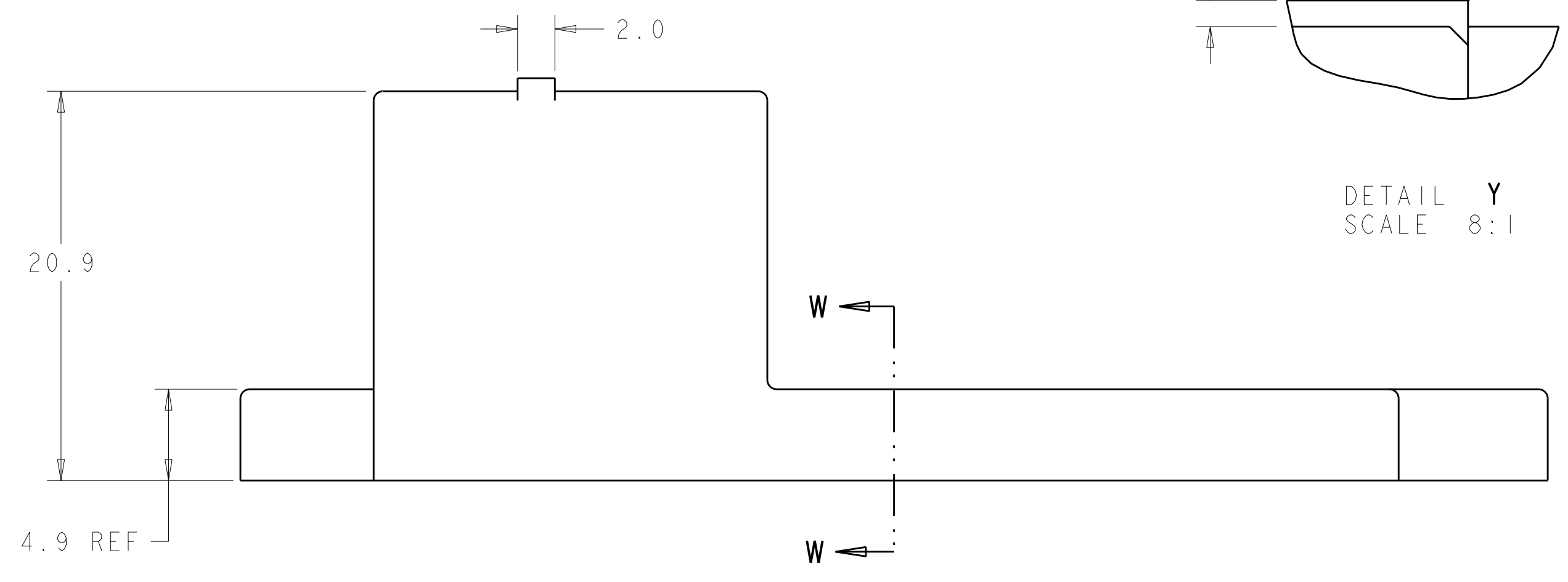
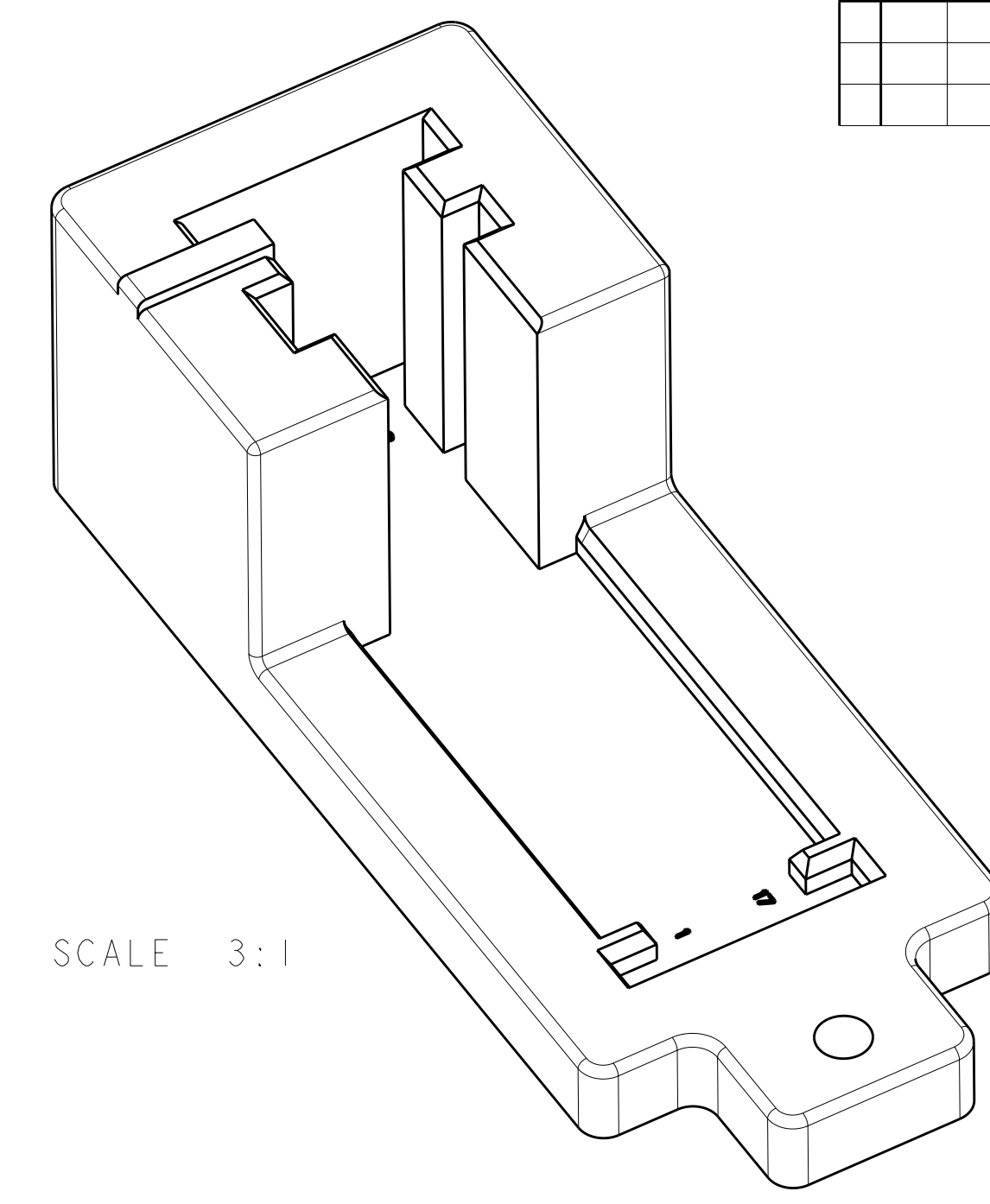
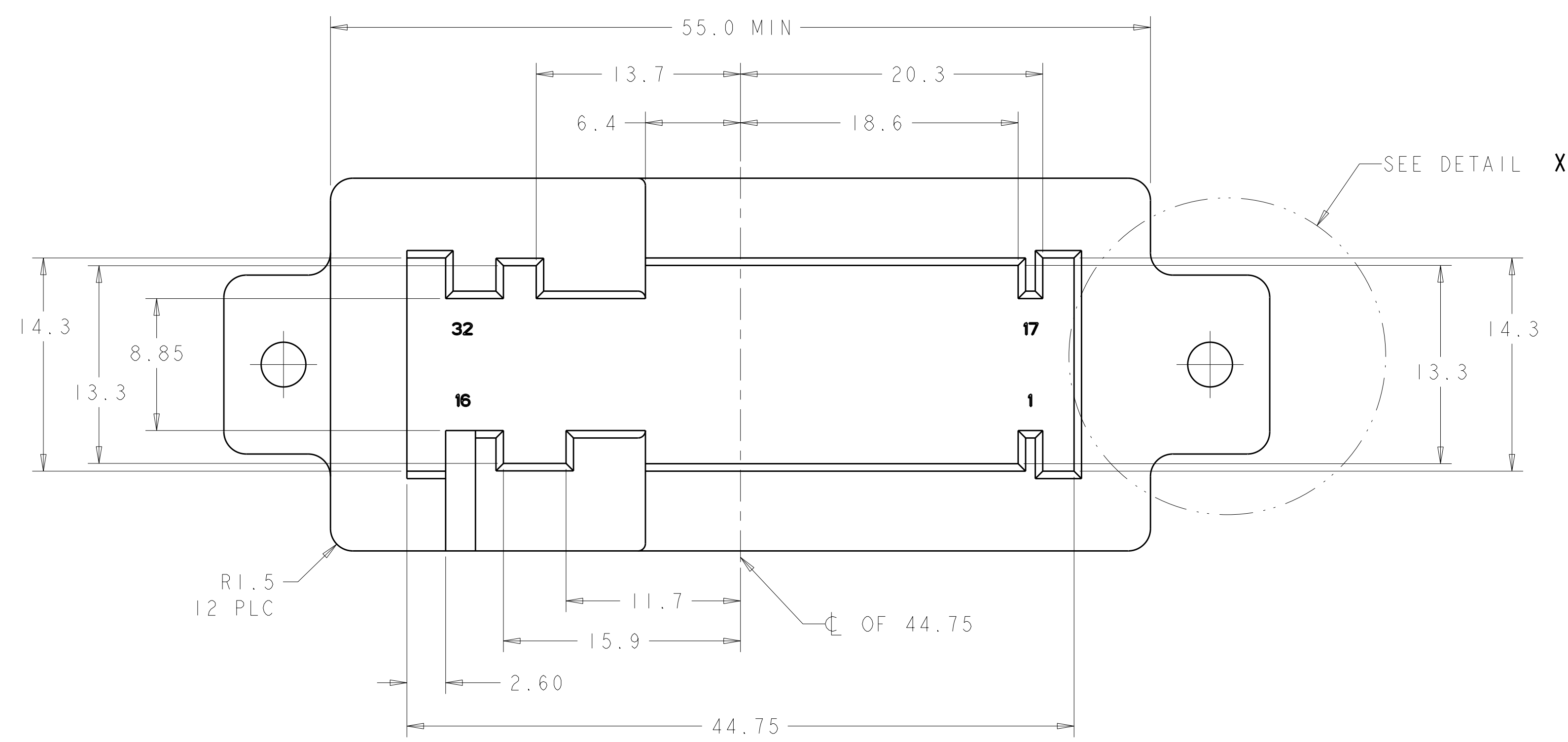


KEY A SHOWN

**KEYING OPTIONS  
REFERENCE ONLY**

DIMENSIONS:		TOLERANCES UNLESS OTHERWISE SPECIFIED:		DWN: W. HOELSCHER 04SEP2001		Tyco Electronics Harrisburg, PA 17105-3608	
mm	0 PLC ±	1 PLC ±0.2	2 PLC ±0.05	3 PLC ±	4 PLC ±	APVD: S. TOBEY 04SEP2001	NAME: SHIELD ASSEMBLY 32 POSITION 0.64mm LAC
MATERIAL: △		FINISH: #1		WEIGHT: -		SIZE: CAGE CODE DRAWING NO. RESTRICTED TO	
CUSTOMER DRAWING		SCALE: 3:1		SHEET 1 OF 2		REV: A1	

LOC	DIST	REV	DATE	BY	APPD
FX	00				
		DESCRIPTION	DATE	BY	APPD
		SEE SHEET 1			

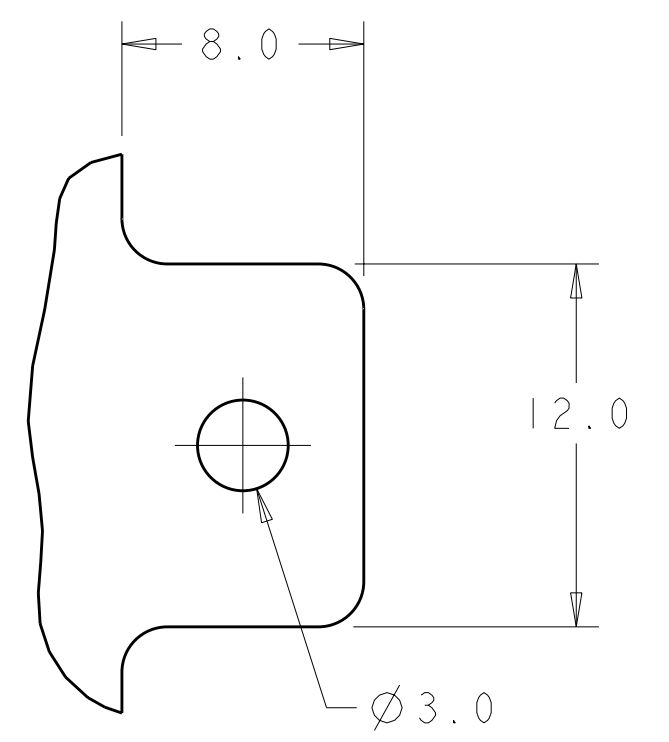


**32 POSITION CONNECTOR FIXTURE**  
 (SHOWN WITH CLEARANCE FOR ALL KEY OPTIONS)

SECTION W-W

KEYING OPTIONS

- CONNECTOR FIXTURE SHOULD BE USED TO VERIFY THE RECEPTACLE CARRIER IS PROPERLY SEATED AND LOCKED INTO THE SHIELD ASSEMBLY. THE CONNECTOR WILL NOT FULLY MATE TO THE FIXTURE IF THE RECEPTACLE CARRIER IS OUT OF POSITION.
- RECOMMEND USING A SENSING DEVICE FOR VERIFYING FULLY MATED CONNECTORS. SUCH A DEVICE IS UP TO THE CUSTOMERS DISCRETION.
- RECOMMENDED MATERIAL: HARDEND STEEL
- NO RADII OR CHAMFER PERMITTED IN SPECIFIED AREA. MUST MAINTAIN 90° EDGE.
- RADII TO BE 0.5 UNLESS OTHERWISE SPECIFIED.
- OPTIONAL CONSTRAINT FEATURE.



DETAIL X  
 SCALE 4:1

DIMENSIONS: mm TOLERANCES UNLESS OTHERWISE SPECIFIED: 0 PLC ± 1 PLC ±0.2 2 PLC ±0.05 3 PLC ± 4 PLC ± ANGLES ± FINISH #1		DWN W. HOELSCHER CHK S. TOBEY APVD S. TOBEY DATE 04SEP2001 NAME S. TOBEY PRODUCT SPEC APPLICATION SPEC WEIGHT CUSTOMER DRAWING	Tyco Electronics Tyco Electronics Harrisburg, PA 17105-3608 SHIELD ASSEMBLY 32 POSITION 0.64mm LAC SIZE CAGE CODE DRAWING NO. RESTRICTED TO A11 00779 C=1326140 SCALE 5:2 SHEET 2 OF 2 REV A1
---	--	--	---